

## KKH 25 D SQ (772 341)

- Earthing and short-circuiting devices can be configured online via the earthing and short-circuiting configurator



Figure without obligation

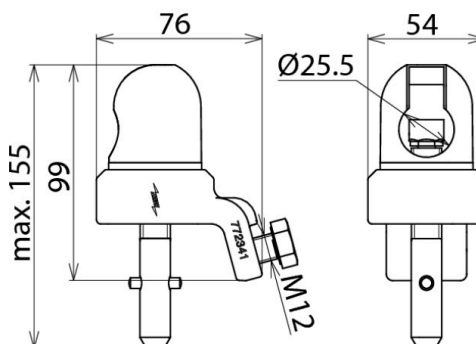


Figure without obligation

Type	KKH 25 D SQ
Part No.	772 341
For fixed ball point Ø	25 mm
Anti-rotation protection	PK1
For cable cross-section Cu	16 ... 150 mm <sup>2</sup>
Max. short-circuit current I <sub>k</sub> 0.5 s	42.0 kA
Max. short-circuit current I <sub>k</sub> 1 s	29.6 kA
Standard	EN/IEC 61230 (DIN VDE 0683-100), threaded T pin shaft DIN 48087
Temperature range	-25 °C ... +55 °C
Material (clamp body)	Copper alloy/gal Sn
Material (shaft)	Copper alloy/gal Sn
Material (pressure plate)	Copper alloy/gal Sn
Weight	902 g
Customs tariff number (Comb. Nomenclature EU)	85359000
GTIN	4013364057425
PU	1 pc(s)

We reserve the right to introduce changes in performance, configuration and technology, dimensions, weights and materials in the course of technical progress. The figures are shown without obligation.

**The clamps must have the same maximum short-circuit current as the earthing and short-circuiting cables!**