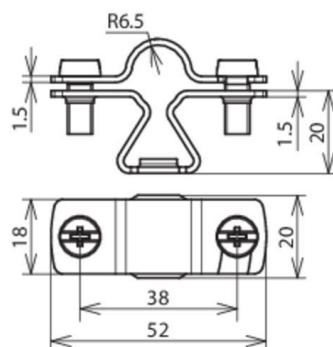


LH ZS 13 M8 V2A (274 113)



Figure without obligation



Type	LH ZS 13 M8 V2A
Part No.	274 113
Material of conductor holder	StSt
Conductor support Rd	13 mm
Height of conductor holder	20 mm
Thread of conductor holder	M8
Conductor routing	fixed
Weight	36 g
Customs tariff number (Comb. Nomenclature EU)	85389099
GTIN	4013364123403
PU	50 pc(s)

We reserve the right to introduce changes in performance, configuration and technology, dimensions, weights and materials in the course of technical progress. The figures are shown without obligation.