



KS 8.10 8.10 FL30 V4A (318 219)

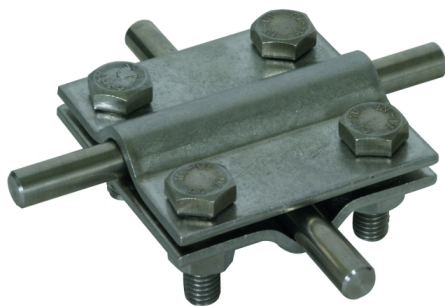
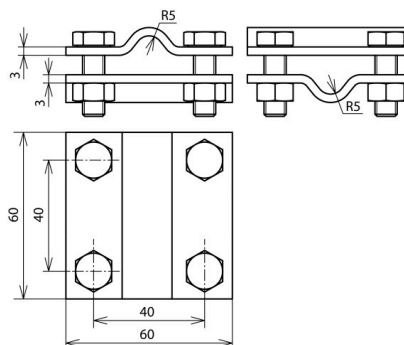


Figure without obligation



Type	KS 8.10 8.10 FL30 V4A
Part No.	318 219
Material of clamp	StSt (V4A)
Clamping range Rd / Rd	8-10 / 8-10 mm
Clamping range Rd / FI	8-10 / 30 mm
Clamping range FI / FI	30 / 30 mm
Clamping range (stranded / cable)	50-70 mm ²
Screw	● M8 x 25 mm
Material of screw / nut	StSt (V4A)
Material No.	1.4571 / 1.4404 / 1.4401
ASTM / AISI:	316Ti / 316L / 316
Dimensions	60 x 60 x 3 mm
Lightning current carrying capability (10/350 μs)	100 kA ^{*)}
Standard	EN 62561-1
Short-circuit current (AC 50 Hz / DC) (1 s; ≤ 300 °C)	7.4 kA
Weight	235 g
Customs tariff number (Comb. Nomenclature EU)	85359000
GTIN	4013364129320
PU	25 pc(s)

^{*)} See test certificate for exact classification.

We reserve the right to introduce changes in performance, configuration and technology, dimensions, weights and materials in the course of technical progress. The figures are shown without obligation.