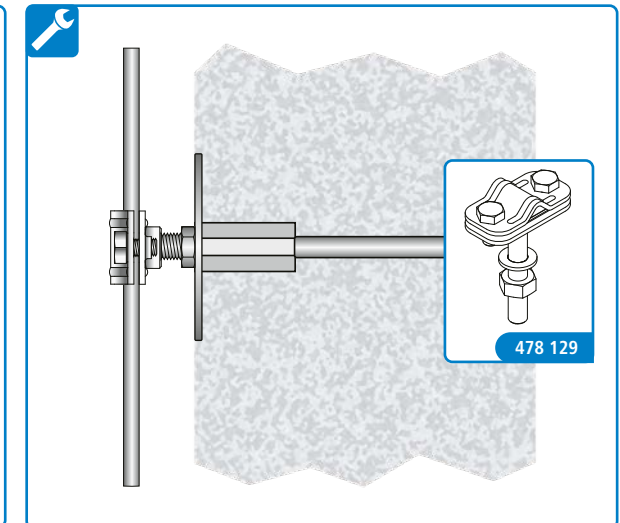
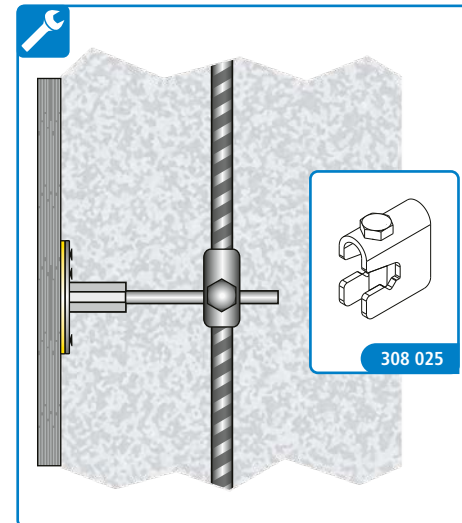
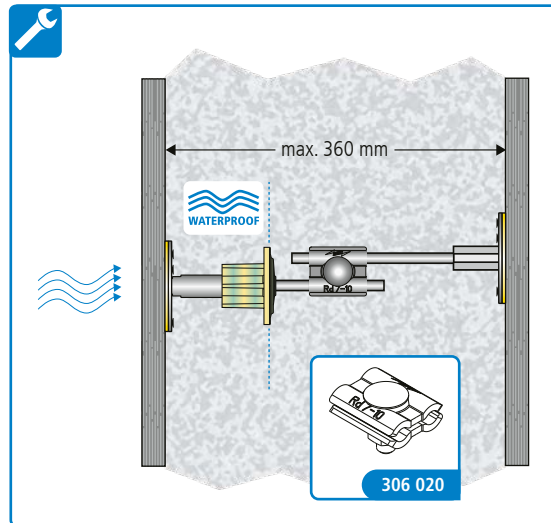
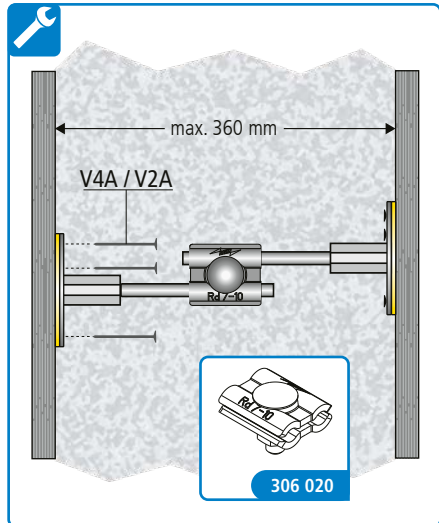
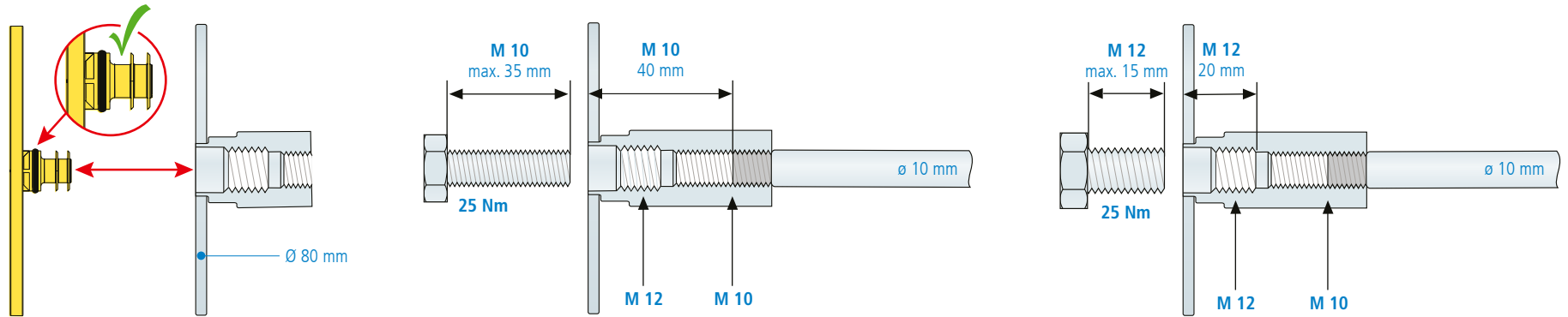


**DEHN EFPM**

- DE Montageanleitung
- GB Installation instructions
- FR Instructions de montage
- IT Istruzioni di montaggio
- NL Montagehandleiding
- ES Instrucciones de montaje
- PT Instruções de montagem
- DK Monteringsvejledning
- SE Monteringsanvisning
- FI Asennusohje
- GR Οδηγίες συναρμολόγησης
- PL Instrukcja montażu
- CZ Návod k montáži
- TR Montaj kılavuzu
- RU Инструкция по монтажу
- CN 安装说明
- HU Szerelési útmutató
- JP 設置説明書

-  IEC 60417-6182: Installation, electrotechnical expertise
-  IEC 60417-6183: Installation, mechanical expertise



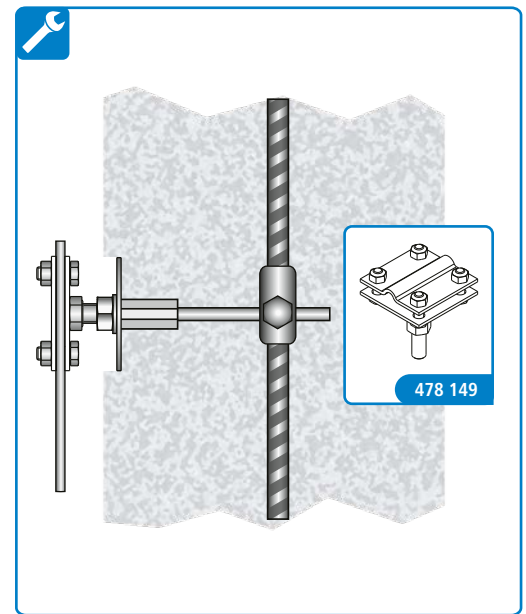
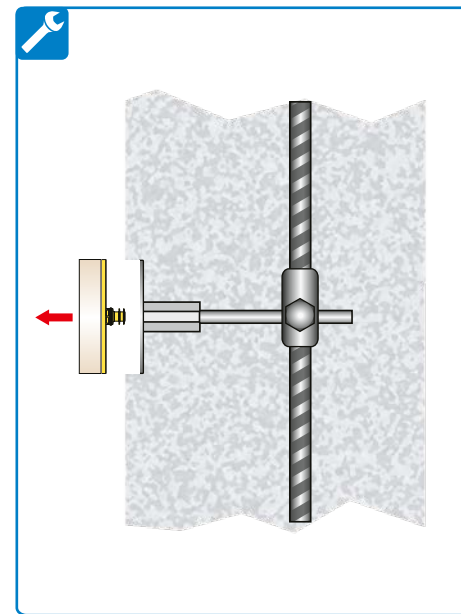
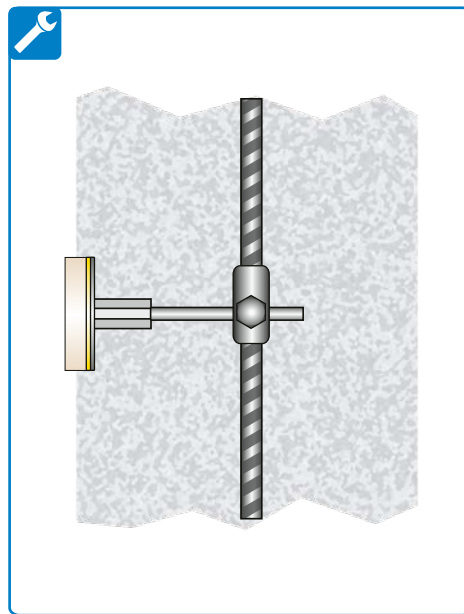
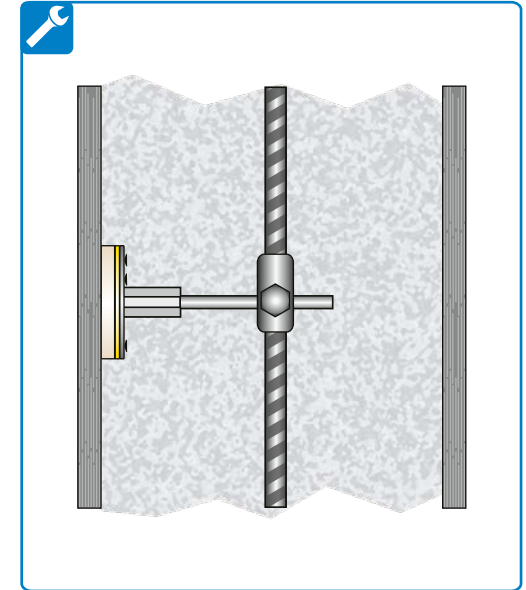
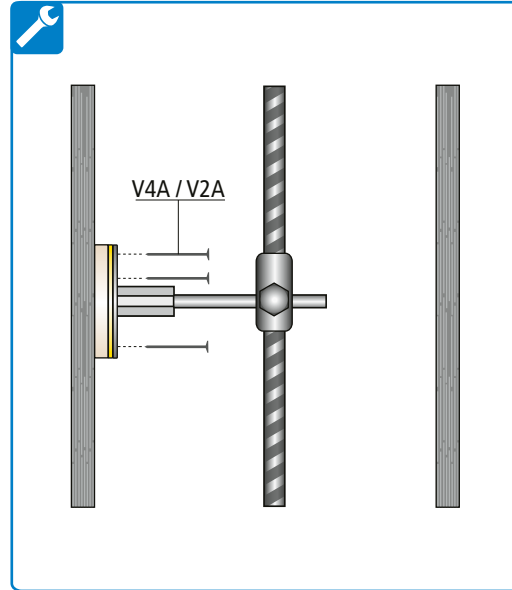
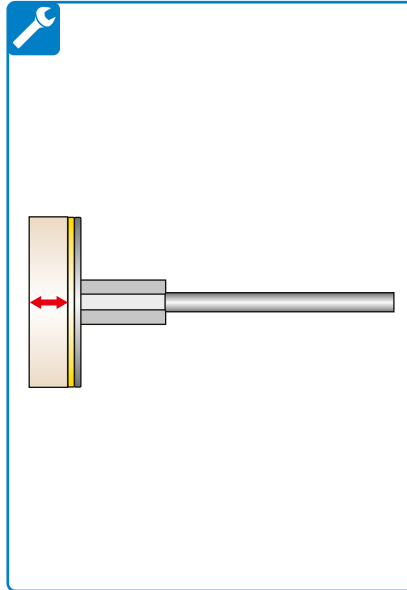
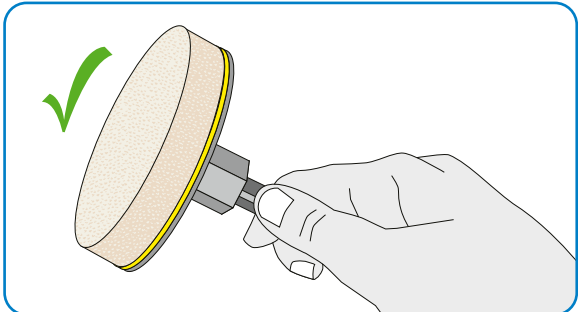
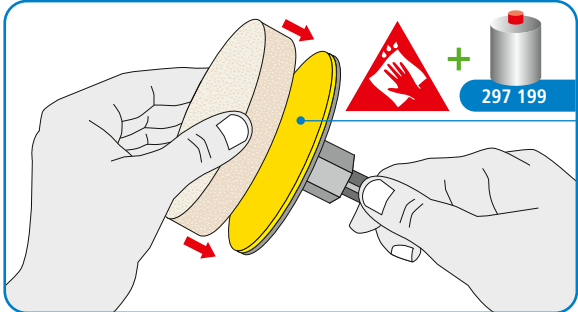
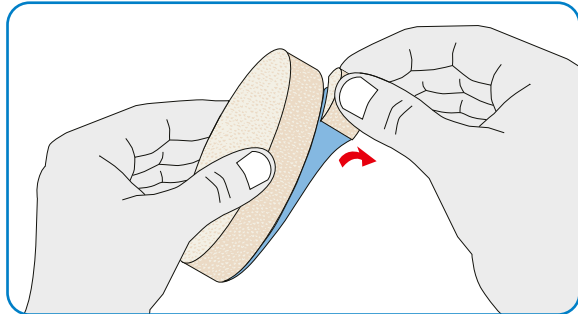
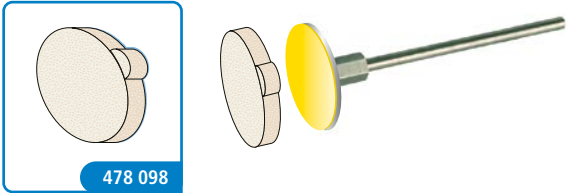
UL requirements for Cat. No. 478 049  
- use of UL listed connectors is required

Cat. No.	Grounding Conductor	Grounding Rod	Torque
478 049	AWG 6 (16 mm <sup>2</sup> ) Max.	78 mm <sup>2</sup>	221 in-lb



DEHN EFPM

SSP D90 H20



Überspannungsschutz  
Blitzschutz/Erdung  
Arbeitsschutz  
DEHN schützt.

DEHN SE

Hans-Dehn-Str. 1  
Postfach 1640  
92306 Neumarkt  
Germany

Tel. +49 9181 906-0  
www.dehn-international.com