

**DLH DS 8 H16 WPRO5 8 GR V2A (204 906)**

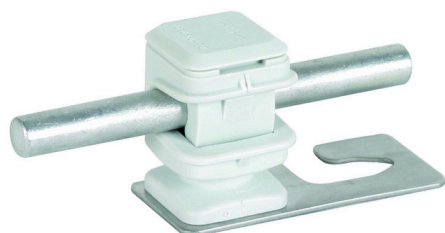
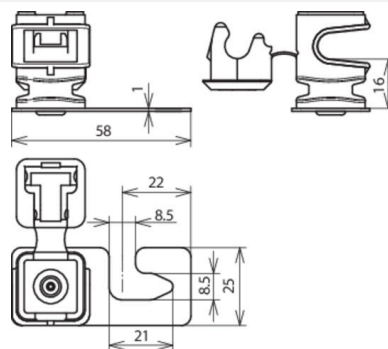


Figure without obligation



Type	DLH DS 8 H16 WPRO5 8 GR V2A
Part No.	204 906
Application note	for ridge and roof conductors, conductor leading (support) adjustable
Material of roof conductor holder	StSt
Type of conductor holder	DEHNsnap
Height of conductor holder	16 mm
Material of conductor holder	plastic
Colour of conductor holder	grey *
Conductor support Rd	8 mm
Conductor routing	loose
Female thread	M6
Fixing possibility	for clamping at the screw head
Type of roofing	corrugated sheets profile 5 (shaft space 177mm) profile 8 (shaft space 130mm)
Weight	19 g
Customs tariff number (Comb. Nomenclature EU)	85389099
GTIN	4013364028456
PU	50 pc(s)

We reserve the right to introduce changes in performance, configuration and technology, dimensions, weights and materials in the course of technical progress. The figures are shown without obligation.