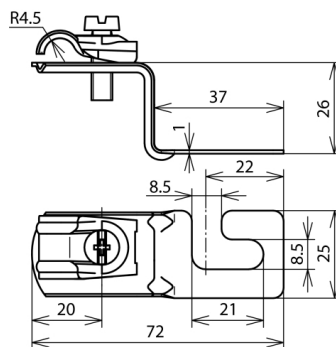


DLH DQ 6.10 WPRO5 8 V2A (202 906)



Figure without obligation



| Type | DLH DQ 6.10 WPRO5 8 V2A |
|---|---|
| Part No. | 202 906 |
| Application note | for ridge and roof conductors |
| Material of roof conductor holder | StSt |
| Type of conductor holder | DEHNquick |
| Material of conductor holder | StSt |
| Conductor support Rd | 6-10 mm |
| Conductor routing | fixed |
| Hole Ø | 8.4 mm |
| Fixing possibility | for clamping at the screw head |
| Type of roofing | corrugated roof sheetings profile 5 (distance 177mm) profile 8 (distance 130mm) |
| Weight | 32 g |
| Customs tariff number (Comb. Nomenclature EU) | 85389099 |
| GTIN | 4013364022102 |
| PU | 50 pc(s) |

We reserve the right to introduce changes in performance, configuration and technology, dimensions, weights and materials in the course of technical progress. The figures are shown without obligation.