

**DLH DQ 6.10 WPRO5 STTZN (202 005)**

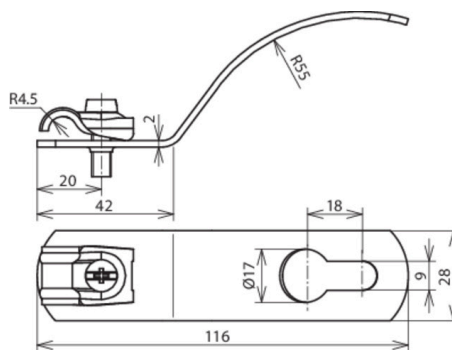


Figure without obligation

Type	DLH DQ 6.10 WPRO5 STTZN
Part No.	202 005
Application note	for roof conductors
Material of roof conductor holder	St/tZn
Type of conductor holder	DEHNquick
Material of conductor holder	St/tZn
Conductor support Rd	6-10 mm
Conductor routing	fixed
Hole Ø	8.4 mm
Fixing possibility	for clamping at the screw head
Type of roofing	corrugated sheets profile 5 (shaft space 177 mm)
Weight	70 g
Customs tariff number (Comb. Nomenclature EU)	85389099
GTIN	4013364022041
PU	50 pc(s)

We reserve the right to introduce changes in performance, configuration and technology, dimensions, weights and materials in the course of technical progress. The figures are shown without obligation.