

## EV TES 465 EZ (758 021)

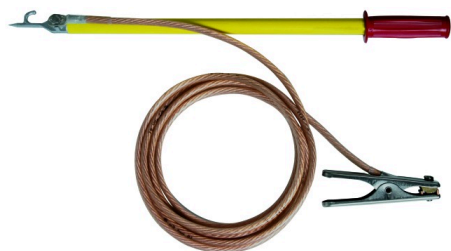


Figure without obligation

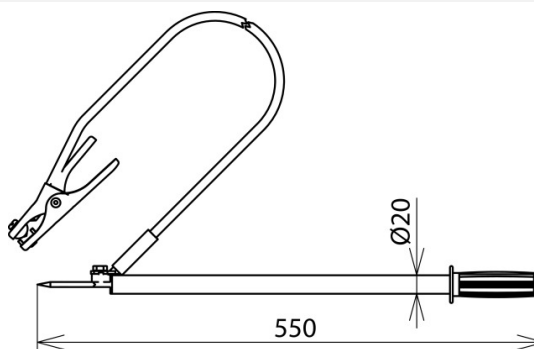


Figure without obligation

Type	EV TES 465 EZ
Part No.	758 021
Cable length	3500 mm
Cable cross-section	16 mm <sup>2</sup>
Cable sheath	Transparent
Material (earthing cable)	Cu, highly flexible
Tube length	465 mm
Total length (l <sub>0</sub> )	550 mm
Clamping range Rd / FI	up to Ø16 mm / to 13 mm
Use	Not suitable for use in wet weather conditions
Material (contact and coupling electrode)	Zamak
Material (insulating tube)	Glass-fibre reinforced polyester tube
Weight	1,1 kg
Customs tariff number (Comb. Nomenclature EU)	85369095
GTIN	4013364099005
PU	1 pc(s)

We reserve the right to introduce changes in performance, configuration and technology, dimensions, weights and materials in the course of technical progress. The figures are shown without obligation.