

## EAB RN 16 SKN (790 160)

- Earthing and short-circuiting devices can be configured online via the earthing and short-circuiting configurator



Figure without obligation

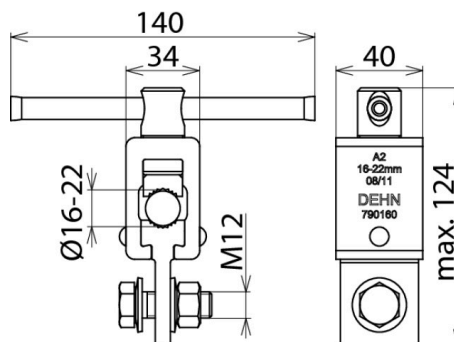


Figure without obligation

Type	EAB RN 16 SKN
Part No.	790 160
Dimensions	Ø16 mm
Anti-rotation cable lug	PK2
For cable cross-section Cu	16 ... 150 <sup>**) mm<sup>2</sup></sup>
Max. short-circuit current I <sub>k</sub> 0.5 s	29.6 kA
Max. short-circuit current I <sub>k</sub> 1 s	29.6 kA
Standard	EN/IEC 61230 (DIN VDE 0683-100)
Temperature range	-25 °C ... +55 °C
Material (terminal lug)	E-Cu/gal Sn
Weight	737 g
Customs tariff number (Comb. Nomenclature EU)	85359000
GTIN	4013364018693
PU	1 pc(s)

<sup>\*\*) Max. short-circuit current of 29.6 kA even in case of a disconnection time I<sub>k</sub> of 1 s.</sup>

We reserve the right to introduce changes in performance, configuration and technology, dimensions, weights and materials in the course of technical progress. The figures are shown without obligation.

The clamps must have the same maximum short-circuit current as the earthing and short-circuiting cables!