

## EAB RN 16 FS (790 150)

- Earthing and short-circuiting devices can be configured online via the earthing and short-circuiting configurator



Figure without obligation

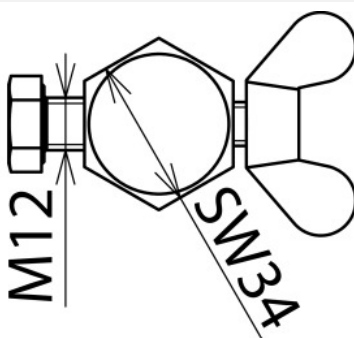
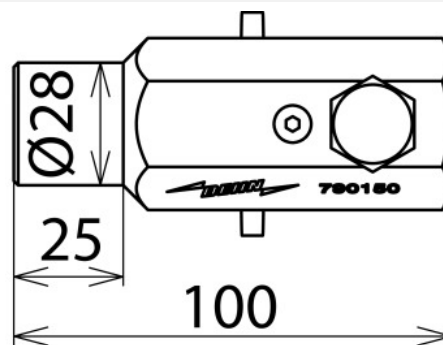


Figure without obligation



Type	EAB RN 16 FS
Part No.	790 150
Dimensions	Ø16 mm
Anti-rotation cable lug	PK1
For cable cross-section Cu	16 ... 150 <sup>1)</sup> mm <sup>2</sup>
Max. short-circuit current I <sub>k</sub> 0.5 s	42.0 kA
Max. short-circuit current I <sub>k</sub> 1 s	29.6 kA
Standard	EN/IEC 61230 (DIN VDE 0683-100)
Temperature range	-25 °C ... +55 °C
Material (terminal lug)	E-Cu/gal Sn
Material (wing nut)	Cu alloy/gal Sn
Weight	450 g
Customs tariff number (Comb. Nomenclature EU)	85359000
GTIN	4013364005365
PU	1 pc(s)

<sup>1)</sup> For cable lengths > 4000 mm: max. up to 95 mm<sup>2</sup> (26.5 kA / 0.5 s).

We reserve the right to introduce changes in performance, configuration and technology, dimensions, weights and materials in the course of technical progress. The figures are shown without obligation.

**The clamps must have the same maximum short-circuit current as the earthing and short-circuiting cables!**