

KKH 20 FS (772 312)

- Earthing and short-circuiting devices can be configured online via the earthing and short-circuiting configurator



Figure without obligation

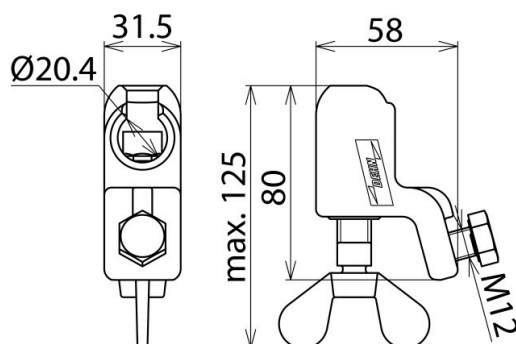


Figure without obligation

| Type | KKH 20 FS |
|---|---------------------------------|
| Part No. | 772 312 |
| For fixed ball point Ø | 20 mm |
| Anti-rotation cable lug | PK1 |
| For cable cross-section Cu | 16 ... 120 mm ² |
| Max. short-circuit current I _k 0.5 s | 33.5 kA |
| Max. short-circuit current I _k 1 s | 23.7 kA |
| Standard | EN/IEC 61230 (DIN VDE 0683-100) |
| Temperature range | -25 °C ... +55 °C |
| Material (clamp body) | Cu alloy/gal Sn |
| Material (shaft) | Cu alloy/gal Sn |
| Material (pressure plate) | Cu alloy/gal Sn |
| Weight | 480 g |
| Customs tariff number (Comb. Nomenclature EU) | 85359000 |
| GTIN | 4013364054431 |
| PU | 1 pc(s) |

We reserve the right to introduce changes in performance, configuration and technology, dimensions, weights and materials in the course of technical progress. The figures are shown without obligation.

The clamps must have the same maximum short-circuit current as the earthing and short-circuiting cables!