



SVK FL30 V4A (308 239)

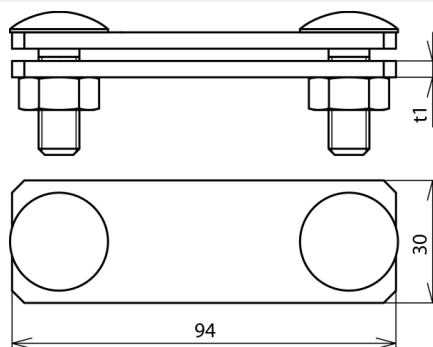
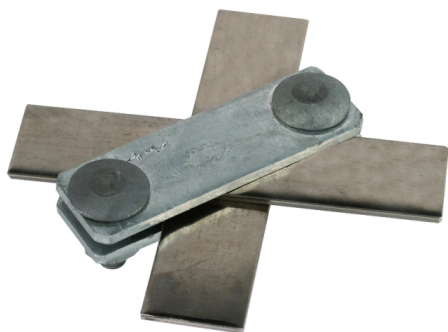


Figure without obligation



Arrangement:

Type	SVK FL30 V4A
Part No.	308 239
Material of clamp	StSt (V4A)
Clamping range FI / FI	30 / 30 mm
Screw	⬆ M10 x 30 mm
Material of screw / nut	StSt (V4A)
Material No.	1.4571 / 1.4404 / 1.4401
ASTM / AISI:	316Ti / 316L / 316
Dimensions (l1 x d1)	94 x 3 mm
Lightning current carrying capability (10/350 μs)	*)
Standard	EN 62561-1
Short-circuit current (a.c. 50 Hz / d.c.) (1 s; ≤ 300 °C)	3.9 kA
Weight	197 g
Customs tariff number (Comb. Nomenclature EU)	85359000
GTIN	4013364090866
PU	25 pc(s)

*) For exact assignment see test certificate.

We reserve the right to introduce changes in performance, configuration and technology, dimensions, weights and materials in the course of technical progress. The figures are shown without obligation.