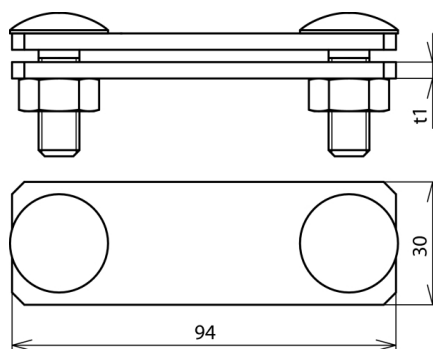




## SVK FL30 STTZN (308 230)



Figure without obligation



Type	SVK FL30 STTZN
Part No.	308 230
Material of clamp	St/tZn
Clamping range FI / FI	30 / 30 mm
Screw	M10 x 30 mm
Material of screw / nut	St/tZn
Dimensions (l1 x d1)	94 x 4 mm
Lightning current carrying capability (10/350 µs)	100 kA <sup>*)</sup>
Standard	EN 62561-1
Short-circuit current (a.c. 50 Hz / d.c.) (1 s; ≤ 300 °C)	8.2 kA
Weight	241 g
Customs tariff number (Comb. Nomenclature EU)	85359000
GTIN	4013364090859
PU	25 pc(s)

<sup>\*)</sup> For exact assignment see test certificate.

We reserve the right to introduce changes in performance, configuration and technology, dimensions, weights and materials in the course of technical progress. The figures are shown without obligation.