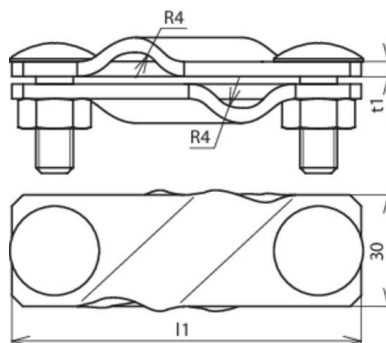




SVK 7.10 7.10 FL40 V4A (308 329)



Figure without obligation



Type	SVK 7.10 7.10 FL40 V4A
Part No.	308 329
Material of clamp	StSt (V4A)
Clamping range Rd / Rd	7-10 / 7-10 mm
Clamping range Rd / FI	7-10 / 30-40 mm
Clamping range FI / FI	30-40 / 30-40 mm
Clamping range (stranded / cable)	50-70 mm ²
Screw	☛ M10 x 30 mm
Material of screw / nut	StSt (V4A)
Material No.	1.4571 / 1.4404 / 1.4401
ASTM / AISI:	316Ti / 316L / 316
Dimensions (l1 x d1)	108 x 3 mm
Lightning current carrying capability (10/350 µs)	^{*)}
Standard	EN 62561-1
Short-circuit current (a.c. 50 Hz / d.c.) (1 s; ≤ 300 °C)	14.0 kA
Weight	220 g
Customs tariff number (Comb. Nomenclature EU)	85359000
GTIN	4013364081338
PU	25 pc(s)

^{*)} For exact assignment see test certificate.

We reserve the right to introduce changes in performance, configuration and technology, dimensions, weights and materials in the course of technical progress. The figures are shown without obligation.