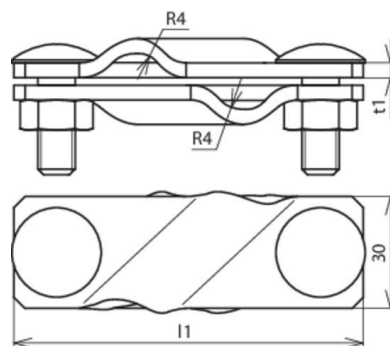




SVK 7.10 7.10 FL30 STTZN (308 220)



Figure without obligation



Type	SVK 7.10 7.10 FL30 STTZN
Part No.	308 220
Material of clamp	St/tZn
Clamping range Rd / Rd	7-10 / 7-10 mm
Clamping range Rd / FI	7-10 / 30 mm
Clamping range FI / FI	30 / 30 mm
Screw	M10 x 30 mm
Material of screw / nut	St/tZn
Dimensions (l1 x d1)	94 x 4 mm
Lightning current carrying capability (10/350 µs)	/ ^{*)}
Standard	EN 62561-1
Short-circuit current (a.c. 50 Hz / d.c.) (1 s; ≤ 300 °C)	7.3 kA
Weight	250 g
Customs tariff number (Comb. Nomenclature EU)	85359000
GTIN	4013364084216
PU	25 pc(s)

^{*)} For exact assignment see test certificate.

We reserve the right to introduce changes in performance, configuration and technology, dimensions, weights and materials in the course of technical progress. The figures are shown without obligation.