

DLH DG H20 UK8 V2A (206 389)

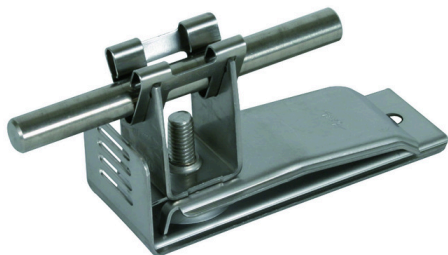
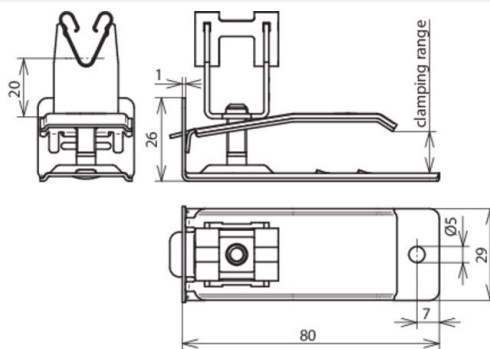


Figure without obligation



Type	DLH DG H20 UK8 V2A
Part No.	206 389
Material of roof conductor holder	StSt
Clamping range	2-8 mm
Height of conductor holder	20 mm
Material of conductor holder	StSt
Conductor support Rd	8 mm
Type of conductor holder	DEHNgrip
Female thread	M6
Conductor routing	loose
Type of roofing	bitumen shingles, roof and wall plates
Fixing possibility	clamping
Standard	EN 62561-4
Weight	62 g
Customs tariff number (Comb. Nomenclature EU)	85389099
GTIN	4013364109544
PU	50 pc(s)

We reserve the right to introduce changes in performance, configuration and technology, dimensions, weights and materials in the course of technical progress. The figures are shown without obligation.