

LH ZS 20 EX P70 SBB V2A (275 444)

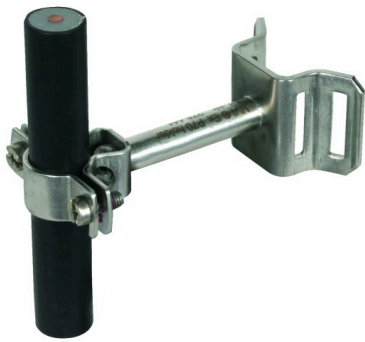
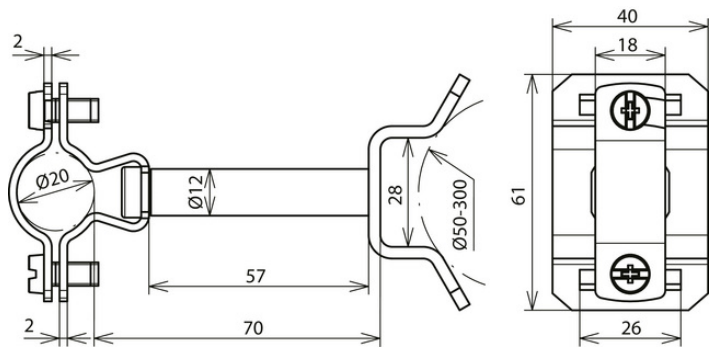


Figure without obligation



Type	LH ZS 20 EX P70 SBB V2A
Part No.	275 444
Material	StSt
Conductor support Rd	20 mm
Distance from wall	70 mm
Clamping range of tube	50-300 mm
Material of fixing bush	StSt
Screw	T M6 x 14 mm
Material of screw	StSt
Height of conductor holder	20 mm
Conductor routing	fixed
Female thread	M8
Standard	DIN IEC/TS 62561-8 (VDE V 0185-561-8)
Weight	158 g
Customs tariff number (Comb. Nomenclature EU)	85389099
GTIN	4013364244252
PU	10 pc(s)

We reserve the right to introduce changes in performance, configuration and technology, dimensions, weights and materials in the course of technical progress. The figures are shown without obligation.