

KKH 25 SQL (772 324)

- Earthing and short-circuiting devices can be configured online by means of the earthing and short-circuiting configurator



Figure without obligation

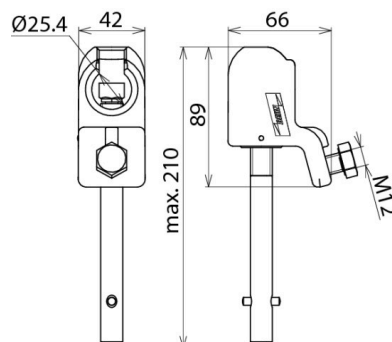


Figure without obligation

| Type | KKH 25 SQL |
|---|---|
| Part No. | 772 324 |
| For fixed ball point Ø | 25 mm |
| Anti-rotation protection | PK1 |
| For cable cross-section Cu | 16 ... 150 mm ² |
| Max. short-circuit current I _k 0.5 s | 42.0 kA |
| Max. short-circuit current I _k 1 s | 29.6 kA |
| Standard | EN/IEC 61230 (DIN VDE 0683-100), threaded T pin shaft DIN 48087 |
| Temperature range | -25 °C ... +55 °C |
| Material (pressure plate) | Copper alloy/gal Sn |
| Material (clamp body) | Copper alloy/gal Sn |
| Material (shaft) | Copper alloy/gal Sn |
| Weight | 719 g |
| Customs tariff number (Comb. Nomenclature EU) | 85359000 |
| GTIN | 4013364080188 |
| PU | 1 pc(s) |

We reserve the right to introduce changes in performance, configuration and technology, dimensions, weights and materials in the course of technical progress. The figures are shown without obligation.

The clamps must be designed for the same maximum short-circuit current as the earthing and short-circuiting cables!