

KKH 20 SQL (772 314)

- Earthing and short-circuiting devices can be configured online by means of the earthing and short-circuiting configurator



Figure without obligation

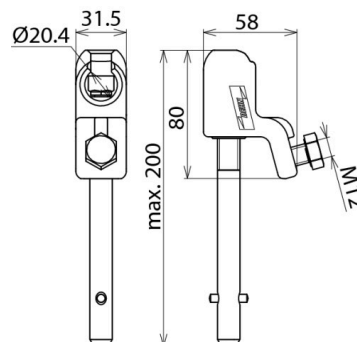


Figure without obligation

Type	KKH 20 SQL
Part No.	772 314
For fixed ball point Ø	20 mm
Anti-rotation protection	PK1
For cable cross-section Cu	16 ... 120 mm ²
Max. short-circuit current I _k 0.5 s	33.5 kA
Max. short-circuit current I _k 1 s	23.7 kA
Standard	EN/IEC 61230 (DIN VDE 0683-100), threaded T pin shaft DIN 48087
Temperature range	-25 °C ... +55 °C
Material (pressure plate)	Copper alloy/gal Sn
Material (clamp body)	Copper alloy/gal Sn
Material (shaft)	Copper alloy/gal Sn
Weight	446 g
Customs tariff number (Comb. Nomenclature EU)	85359000
GTIN	4013364080171
PU	1 pc(s)

We reserve the right to introduce changes in performance, configuration and technology, dimensions, weights and materials in the course of technical progress. The figures are shown without obligation.

The clamps must be designed for the same maximum short-circuit current as the earthing and short-circuiting cables!