

## PSK 10 32 SQL SB (784 038)

- Earthing and short-circuiting devices can be configured online via the EaS configurator
- For connecting the phase cables of Earthing and short-circuiting devices to the overhead line
- With long threaded T pin shaft and safety bow



Figure without obligation

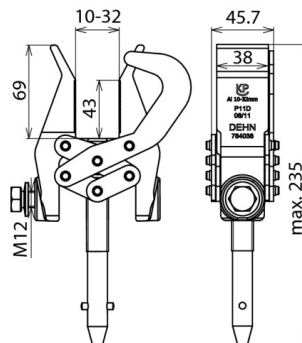


Figure without obligation

Type	PSK 10 32 SQL SB
Part No.	784 038
Clamping range Ø	10 ... 32 mm
Anti-rotation protection	PK2
For cable cross-section Cu	16 ... 95 mm <sup>2</sup>
Max. short-circuit current I <sub>k</sub> 0.5 s	18.7 kA
Max. short-circuit current I <sub>k</sub> 1 s	18.7 kA
Standard	EN/IEC 61230 (DIN VDE 0683-100), threaded T pin shaft DIN 48087
Temperature range	-25 °C ... +55 °C
Material (pressure plate)	Aluminium alloy
Material (clamp body)	Aluminium alloy
Material (shaft)	StSt
Material (coupling aid)	StSt
Weight	1,01 kg
Customs tariff number (Comb. Nomenclature EU)	85359000
GTIN	4013364138452
PU	1 pc(s)

We reserve the right to introduce changes in performance, configuration and technology, dimensions, weights and materials in the course of technical progress. The figures are shown without obligation.

**The clamps must be designed for the same maximum short-circuit current as the earthing and short-circuiting cables!**