

PSK FV 4 30 SQL (784 480)

- Earthing and short-circuiting devices can be configured online via the earthing and short-circuiting configurator
- For connecting the phase cables of single- and three-pole earthing and short-circuiting cables to the overhead line
- Easy coupling due to spring-loaded clamp
- PK1 anti-rotation protection and long threaded T pin shaft



Figure without obligation

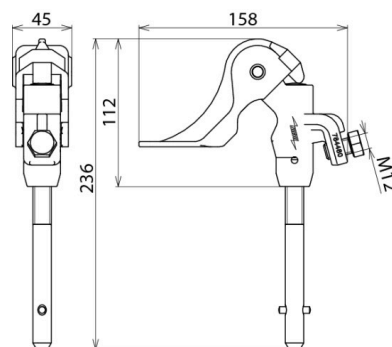


Figure without obligation

| Type | PSK FV 4 30 SQL |
|---|---|
| Part No. | 784 480 |
| Clamping range Ø | 4 ... 30 mm |
| Anti-rotation protection | PK1 |
| For cable cross-section Cu | 16 ... 70 mm ² |
| Max. short-circuit current I _k 0.5 s | 19.5 kA |
| Max. short-circuit current I _k 1 s | 13.8 kA |
| Standard | EN/IEC 61230 (DIN VDE 0683-100), threaded T pin shaft DIN 48087 |
| Temperature range | -25 °C ... +55 °C |
| Material (pressure plate) | Aluminium alloy |
| Material (clamp body) | Aluminium alloy |
| Material (shaft) | Copper alloy/gal Sn |
| Weight | 600 g |
| Customs tariff number (Comb. Nomenclature EU) | 85359000 |
| GTIN | 4013364054479 |
| PU | 1 pc(s) |

We reserve the right to introduce changes in performance, configuration and technology, dimensions, weights and materials in the course of technical progress. The figures are shown without obligation.

The clamps must be designed for the same maximum short-circuit current as the earthing and short-circuiting cables!