

PSK 10 65 SQL EH (784 501)

- Earthing and short-circuiting devices can be configured online via the earthing and short-circuiting configurator
- For connecting the phase cables of single-pole and three-pole earthing and short-circuiting devices to the overhead line
- Coupling aid for safe attachment on the conductor cables
- PK1 anti-rotation protection and long threaded T pin shaft



Figure without obligation

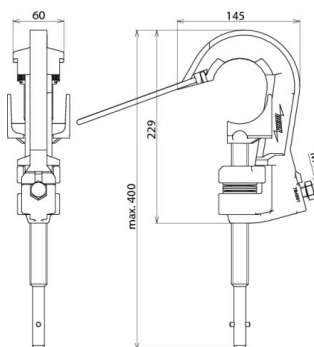


Figure without obligation

Type	PSK 10 65 SQL EH
Part No.	784 501
Clamping range Ø	10 ... 65 mm
Anti-rotation protection	PK1
For cable cross-section Cu	16 ... 120 mm ²
Max. short-circuit current I _k 0.5 s	33.5 kA
Max. short-circuit current I _k 1 s	23.7 kA
Standard	EN/IEC 61230 (DIN VDE 0683-100), threaded T pin shaft DIN 48087
Temperature range	-25 °C ... +55 °C
Material (pressure plate)	Aluminium alloy
Material (clamp body)	Aluminium alloy
Material (shaft)	Copper alloy/gal Sn
Material (coupling aid)	St/gal Zn
Weight	1,95 kg
Customs tariff number (Comb. Nomenclature EU)	85359000
GTIN	4013364006560
PU	1 pc(s)

We reserve the right to introduce changes in performance, configuration and technology, dimensions, weights and materials in the course of technical progress. The figures are shown without obligation.

The clamps must be designed for the same maximum short-circuit current as the earthing and short-circuiting cables!