



ERS 60 AB11 V2A (410 379)

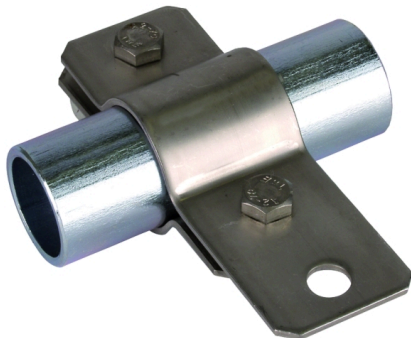
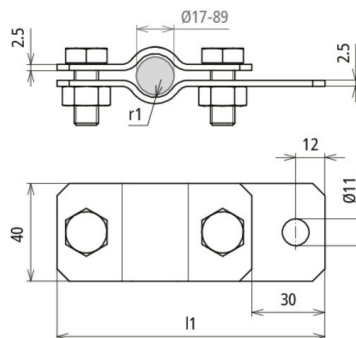


Figure without obligation



Arrangement:

Type	ERS 60 AB11 V2A
Part No.	410 379
Clamping range pipe Ø	60 mm
Material	StSt
Screw	M10 x 25 mm
Material of screw / nut	StSt
Dimensions (l1 x r1)	151 x 30 mm
Lightning current carrying capability (10/350 µs)	^{*)}
Standard	EN 62561-1
Weight	272 g
Customs tariff number (Comb. Nomenclature EU)	85359000
GTIN	4013364081475
PU	1 pc(s)

^{*)} For exact assignment, see test certificate.

We reserve the right to introduce changes in performance, configuration and technology, dimensions, weights and materials in the course of technical progress. The figures are shown without obligation.