



## ERS 21 AB11 V2A (410 319)

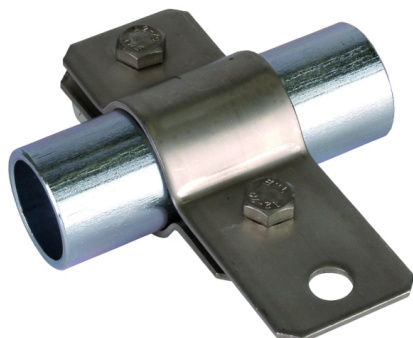
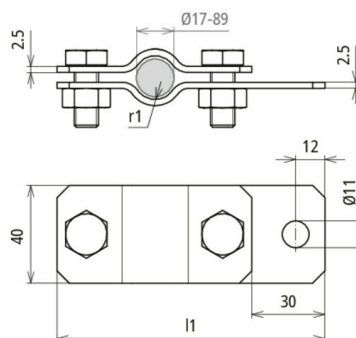


Figure without obligation



Arrangement:



Type	ERS 21 AB11 V2A
Part No.	410 319
Clamping range pipe Ø	21 mm
Material	StSt
Screw	⚙️ M8 x 20 mm
Material of screw / nut	StSt
Dimensions (l1 x r1)	114.5 x 10.5 mm
Lightning current carrying capability (10/350 µs)	100 kA <sup>*)</sup>
Standard	EN 62561-1
Weight	188 g
Customs tariff number (Comb. Nomenclature EU)	85359000
GTIN	4013364081505
PU	25 pc(s)

<sup>\*)</sup> For exact assignment, see test certificate.

We reserve the right to introduce changes in performance, configuration and technology, dimensions, weights and materials in the course of technical progress. The figures are shown without obligation.