



ERS 17 AB11 V2A (410 309)

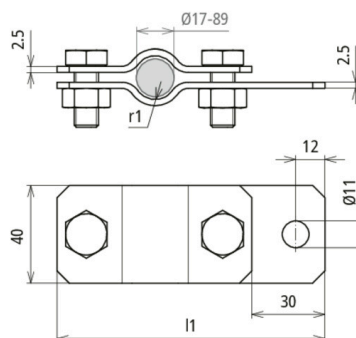
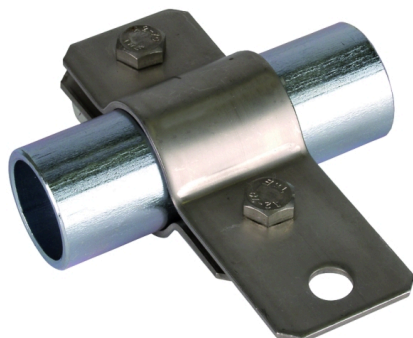


Figure without obligation

Arrangement:



| Type | ERS 17 AB11 V2A |
|---|-----------------|
| Part No. | 410 309 |
| Clamping range pipe Ø | 17 mm |
| Material | StSt |
| Screw | M8 x 20 mm |
| Material of screw / nut | StSt |
| Dimensions (l1 x r1) | 110.5 x 8.5 mm |
| Lightning current carrying capability (10/350 µs) | ^{*)} |
| Standard | EN 62561-1 |
| Weight | 180 g |
| Customs tariff number (Comb. Nomenclature EU) | 85359000 |
| GTIN | 4013364081451 |
| PU | 1 pc(s) |

^{*)} For exact assignment, see test certificate.

We reserve the right to introduce changes in performance, configuration and technology, dimensions, weights and materials in the course of technical progress. The figures are shown without obligation.