

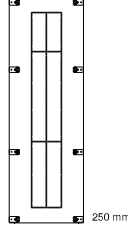
CP X-5 SL

cover for **SL00,1,2,3**
(osłony do SL00,1,2,3)



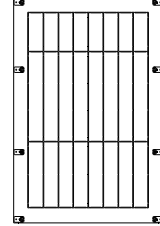
- (GB) Mounting instructions
- (DE) Montageanleitung
- (SI) Navodilo za montažo
- (PL) Instrukcje montażu
- (HR) Upute za montažu
- (CZ) Montážní návod
- (SK) Navod na montáž
- (HU) Szerelési utmutató
- (LT) Montavimo instrukcija
- (RU) Инструкция за монтаж
- (LV) Montāžas instrukcija
- (EST) Paigaldusjuhend

CP 1-5 SL 001339750



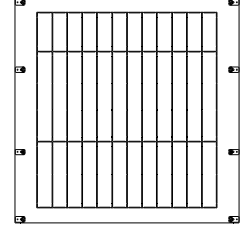
250 mm

CP 2-5 SL 001339752



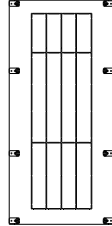
500 mm

CP 3-5 SL 001339754



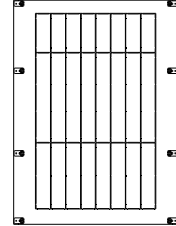
750 mm

CP 1.4-5 SL 001339751



350 mm

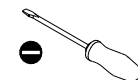
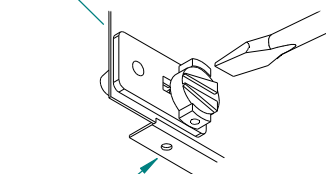
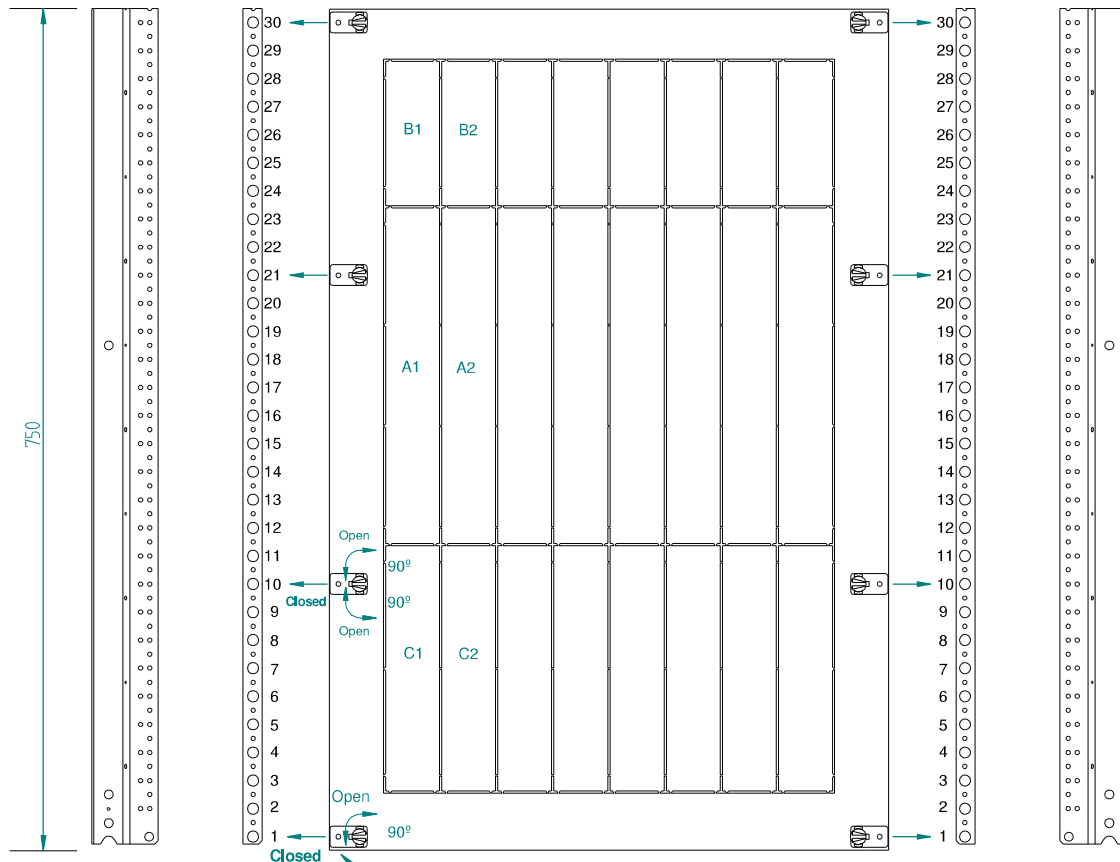
CP 2.2-5 SL 001339753



550 mm

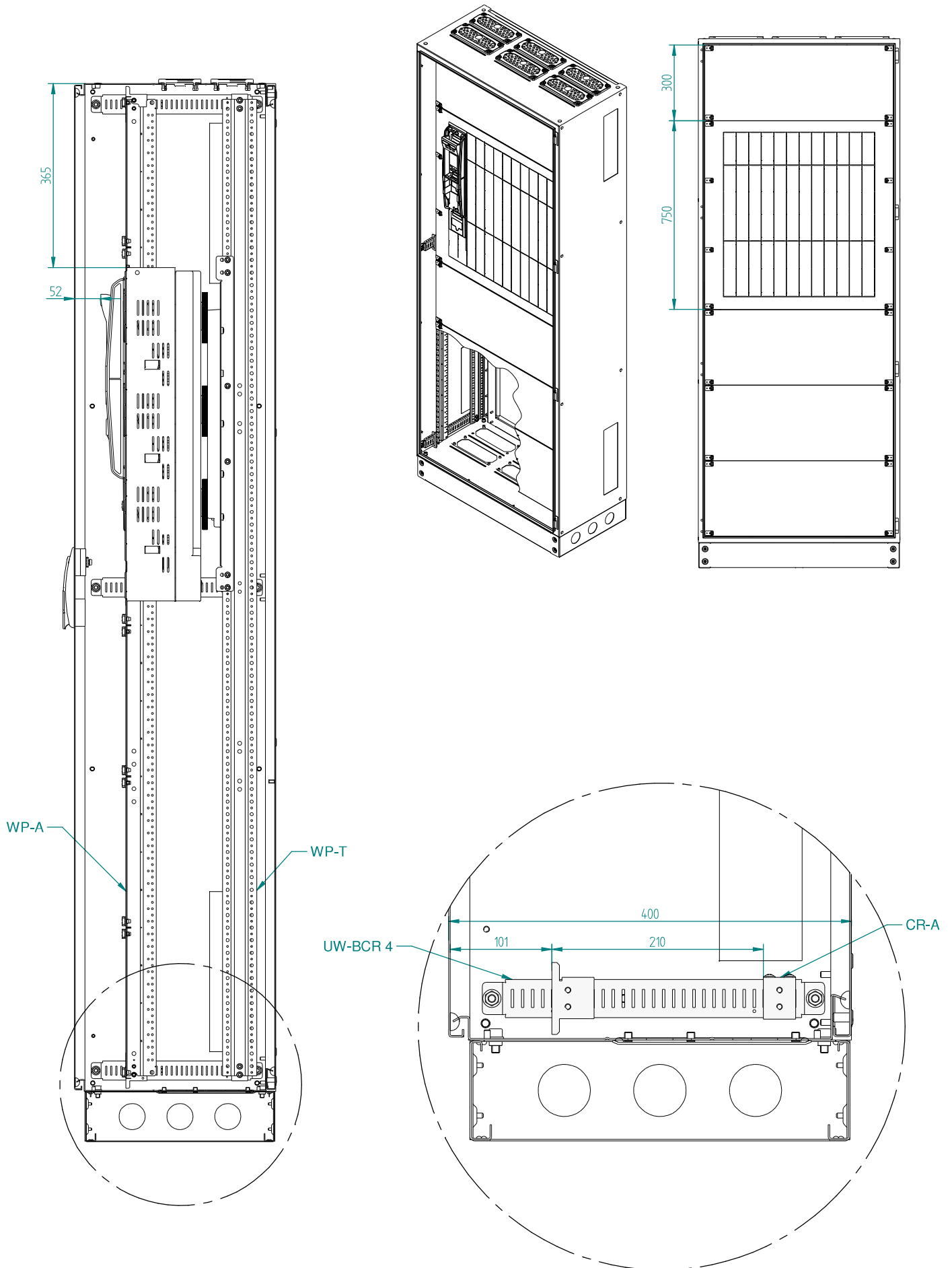
cut out / remove
(wyciąć / usunąć)

- SL00 - A1
- SL1, 2, 3 - A1, A2, B1, B2, C1, C2



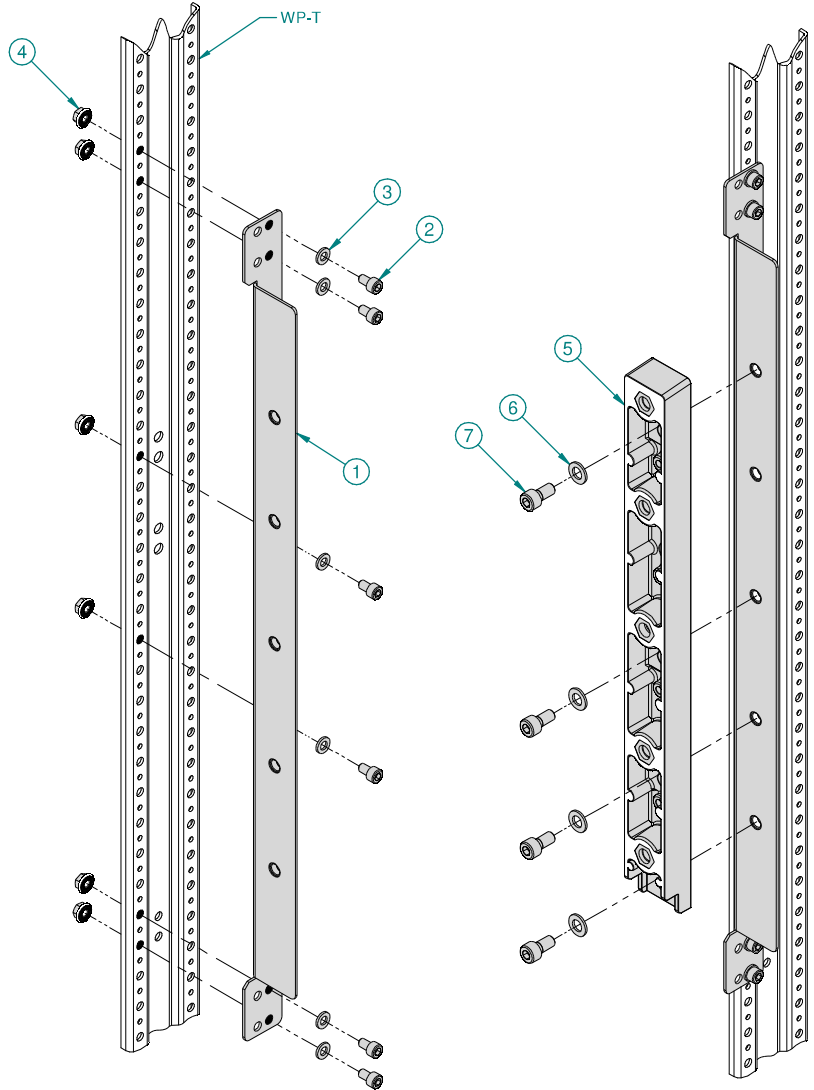
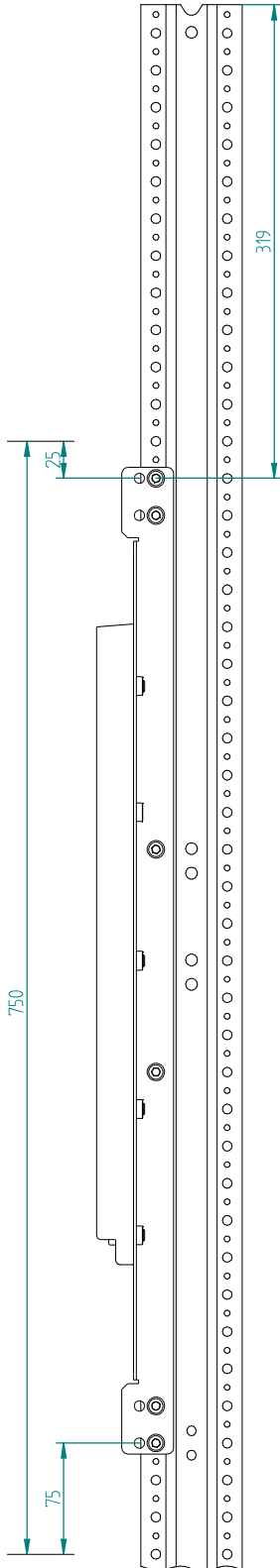
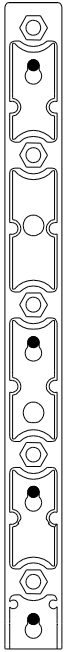
Screwdriver flat-blade
(Wkrętak płaski)

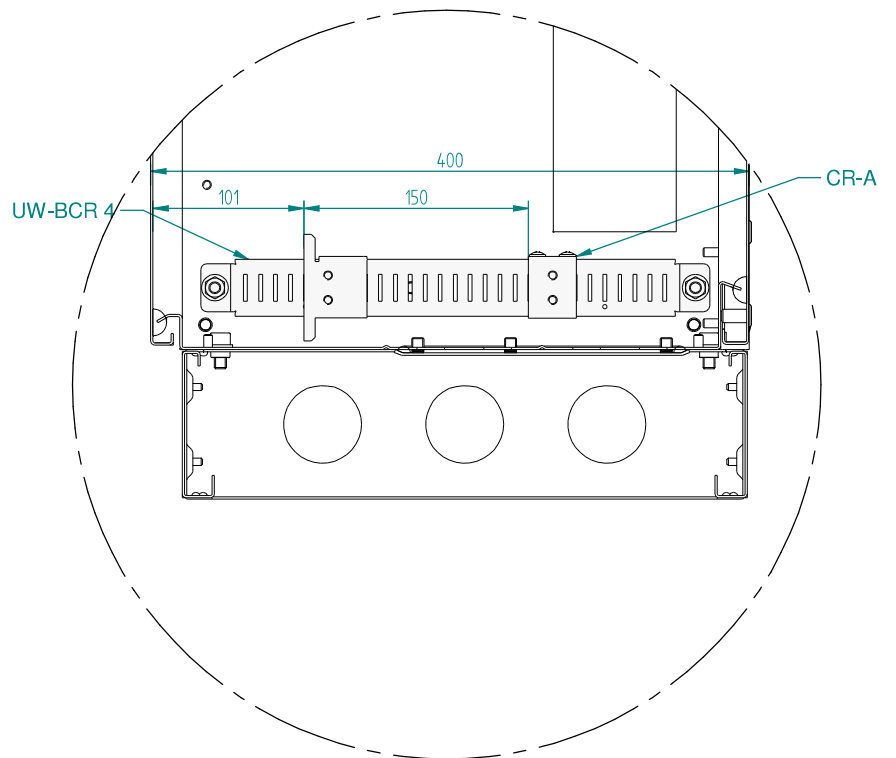
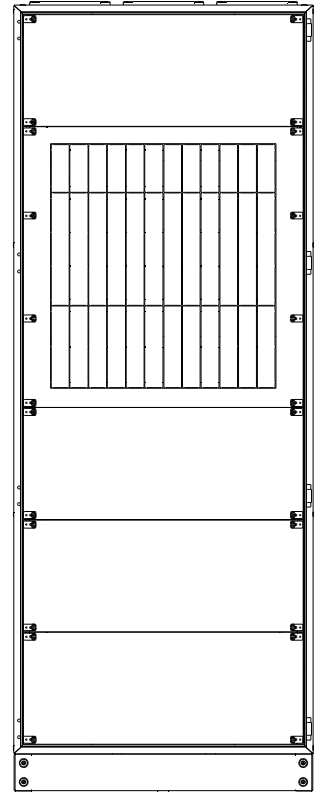
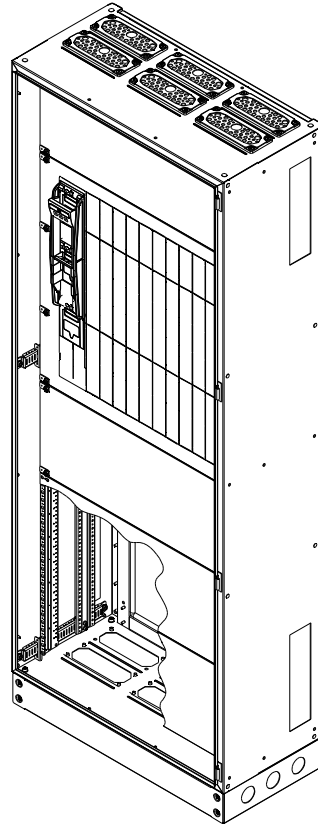
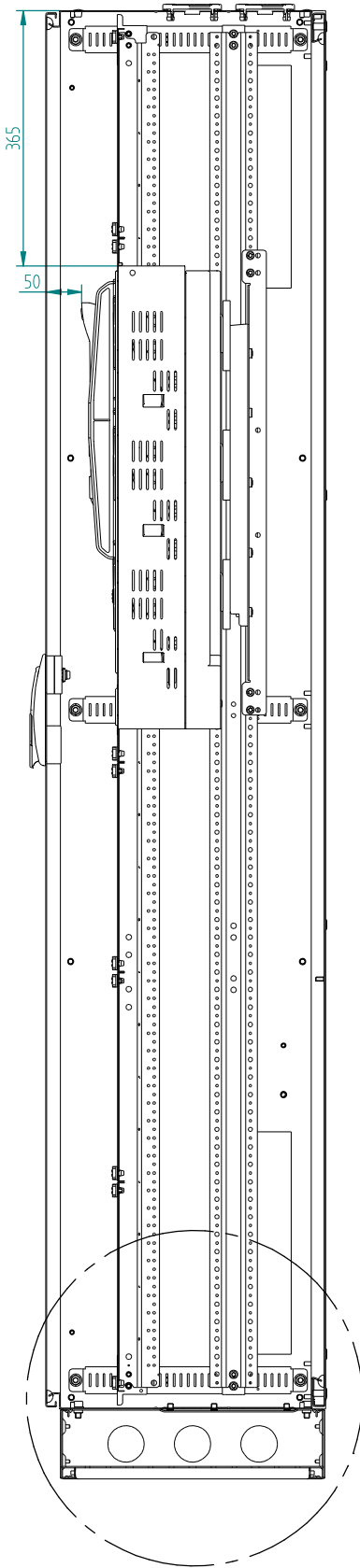
Hole-position marker
left-down
(Otwór-znacznik pozycji
lewy dolny róg)



WP-T			
No.	Type ETI	Name	Pcs.
1	LG-T-B185-H-P3-C	Support	1
2	AS-SH 6x10	Screw M6x10 DIN912	6
3	AW-R 6	Washer M6 DIN126 Zn	6
4	AN-FSH 6	Nut flange serrat M6 DIN6923 Zn	6
5	POP 100/185	Support	1
6	AW-R 8	Washer M8 DIN126 Zn	4
7	AS-SH 8x16	Screw M8x16 DIN912	4

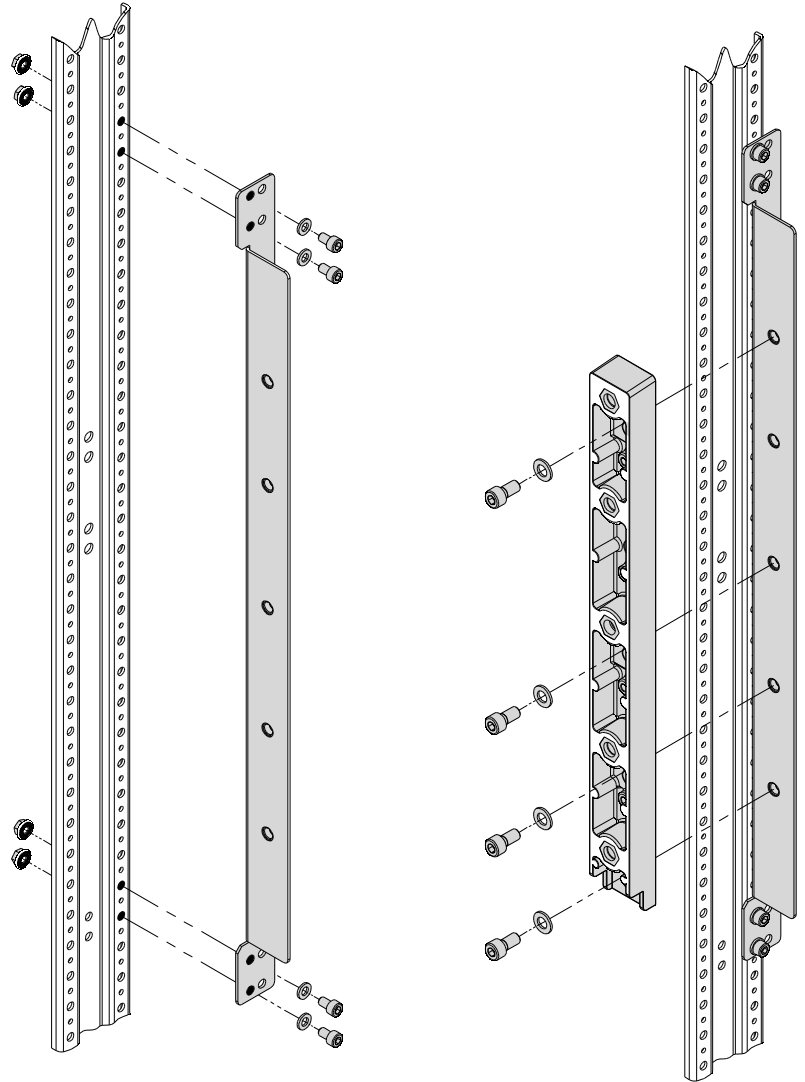
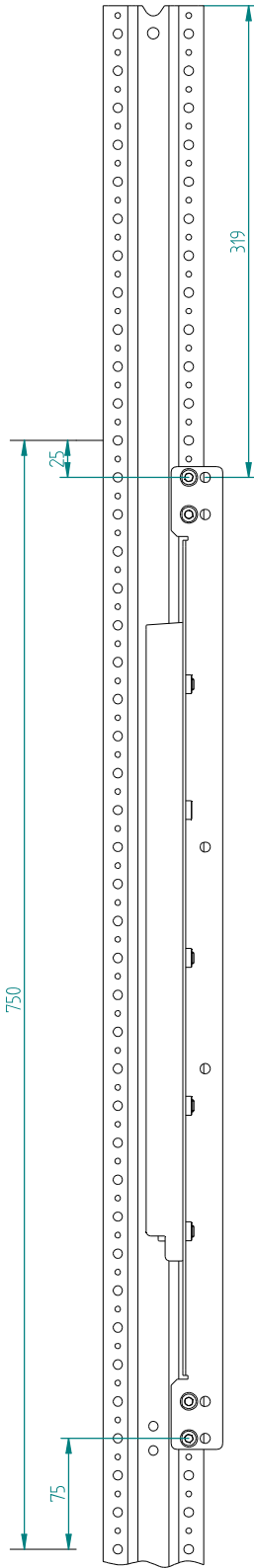
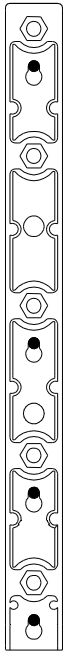
drill
φ 8 mm (x4)

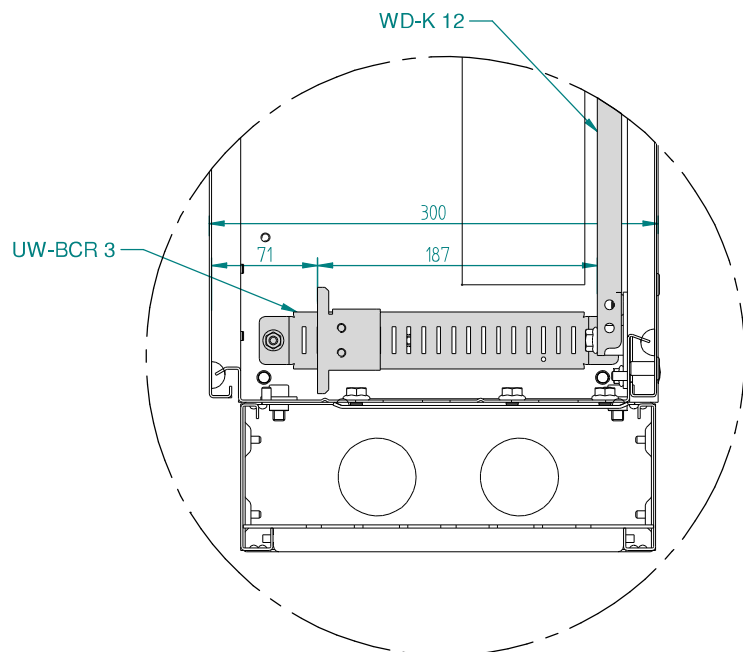
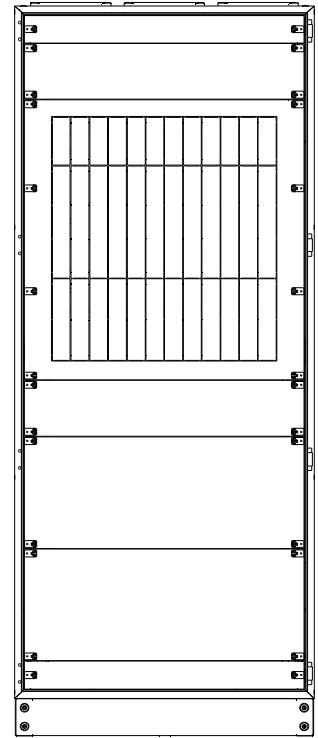
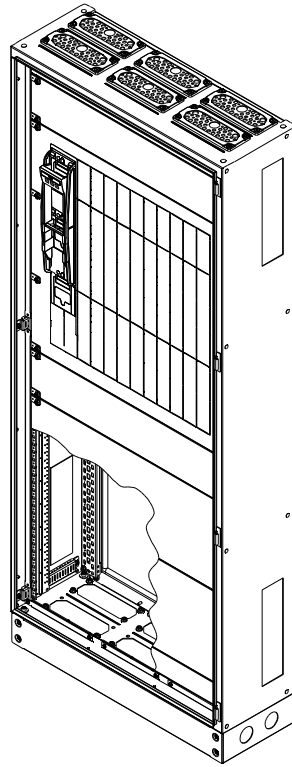
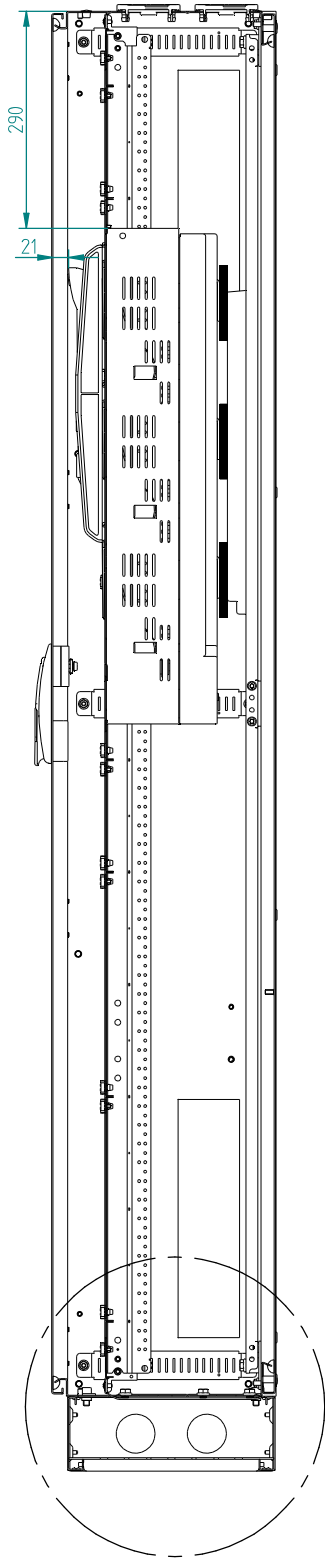




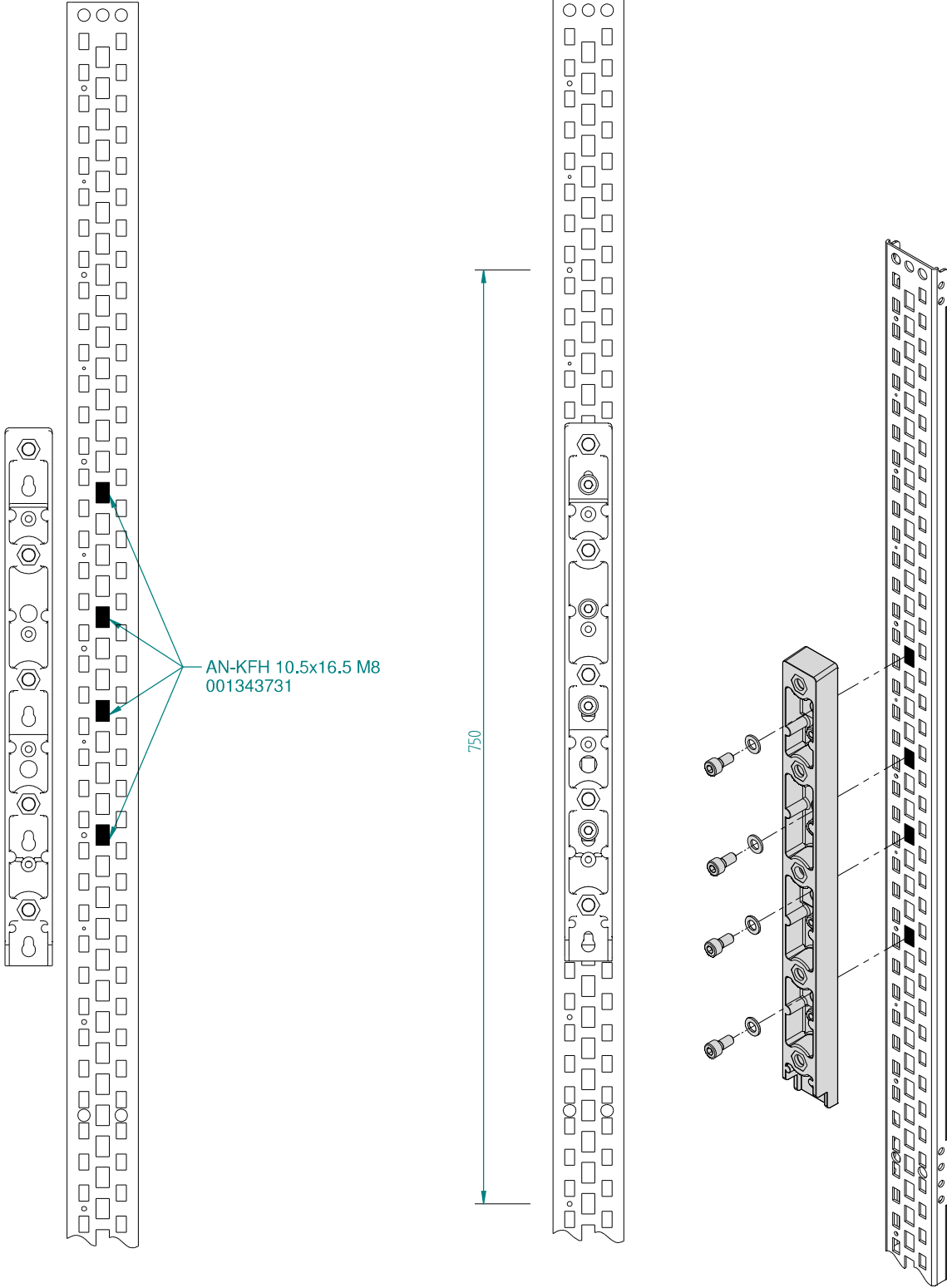
WP-T			
No.	Type ETI	Name	Pcs.
1	LG-T-B185-H-P3-C	Support	1
2	AS-SH 6x10	Screw M6x10 DIN912	6
3	AW-R 6	Washer M6 DIN126 Zn	6
4	AN-FSH 6	Nut flange serrat M6 DIN6923 Zn	6
5	POP 100/185	Support	1
6	AW-R 8	Washer M8 DIN126 Zn	4
7	AS-SH 8x16	Screw M8x16 DIN912	4

drill
φ 8 mm (x4)





WD-K			
No.	Type ETI	Name	Pcs.
1	POP 100/185	Support	1
2	AW-R 8	Washer M8 DIN126 Zn	4
3	AS-SH 8x16	Screw M8x16 DIN912	4





Power needs control

SOLID GSX Enclosure system