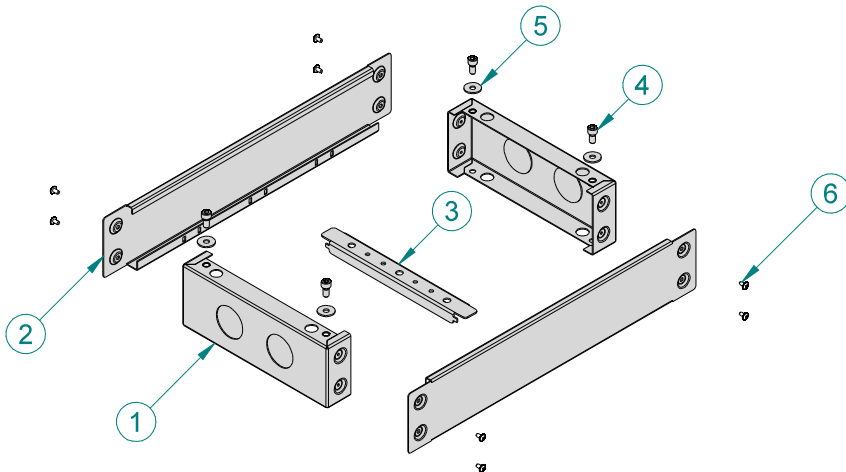
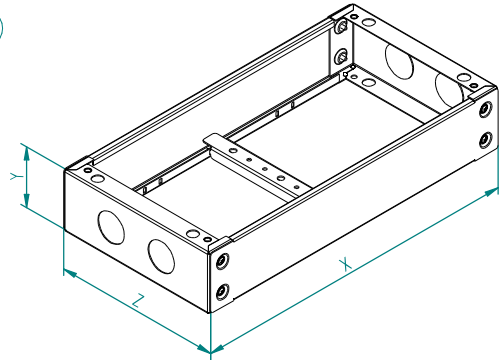


PH1



Code No	Type	X [mm]	Y [mm]	Z [mm]
001336910	PH1 D3 -W2	548	100	278
001336912	PH1 D3 -W3	798	100	278
001336914	PH1 D3 -W4	1048	100	278



PH1 D3 -W2		001336910	
No.	Type ETI	Name	Pcs.
1	PH1-BOK-D3	Side plinth	2
2	PH1-PRZ-W2	Fronf plinth	2
3	PH-BEL-D3	Support	1
4	AS-SH 8x16	Screw M8x16 DIN912 Zn	4
5	AW-R 8	Washer M8 DIN126 Zn	4
6	AST 4.8x9.5	Tapping screw	8

PH1 D3 -W3		001336912	
No.	Type ETI	Name	Pcs.
1	PH1-BOK-D3	Side plinth	2
2	PH1-PRZ-W3	Fronf plinth	2
3	PH-BEL-D3	Support	1
4	AS-SH 8x16	Screw M8x16 DIN912 Zn	4
5	AW-R 8	Washer M8 DIN126 Zn	4
6	AST 4.8x9.5	Tapping screw	8

PH1 D3 -W4		001336914	
No.	Type ETI	Name	Pcs.
1	PH1-BOK-D3	Side plinth	2
2	PH1-PRZ-W4	Fronf plinth	2
3	PH-BEL-D3	Support	1
4	AS-SH 8x16	Screw M8x16 DIN912 Zn	4
5	AW-R 8	Washer M8 DIN126 Zn	4
6	AST 4.8x9.5	Tapping screw	8

