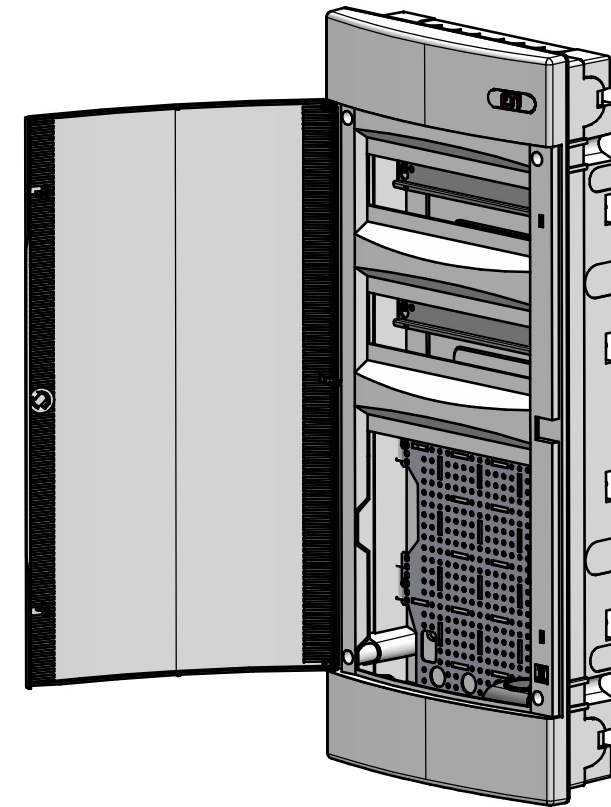
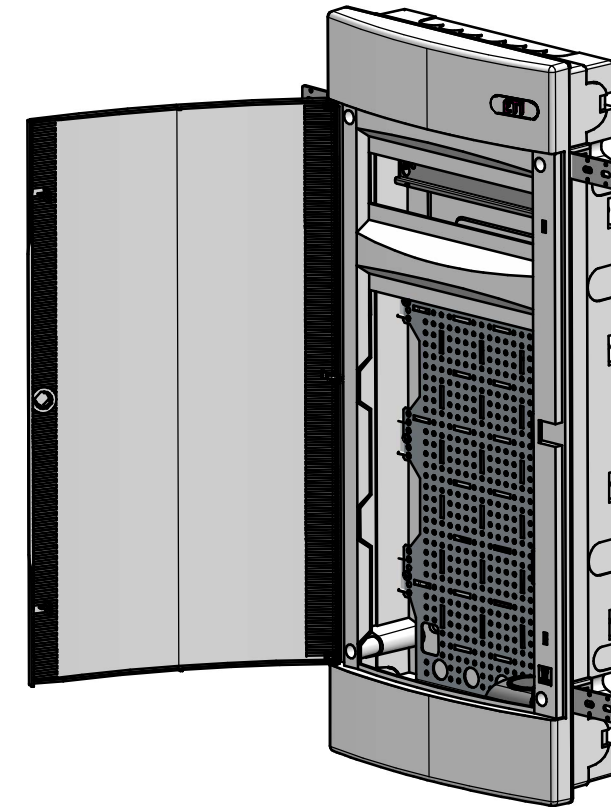




SWITCH TO
A SAFE FUTURE

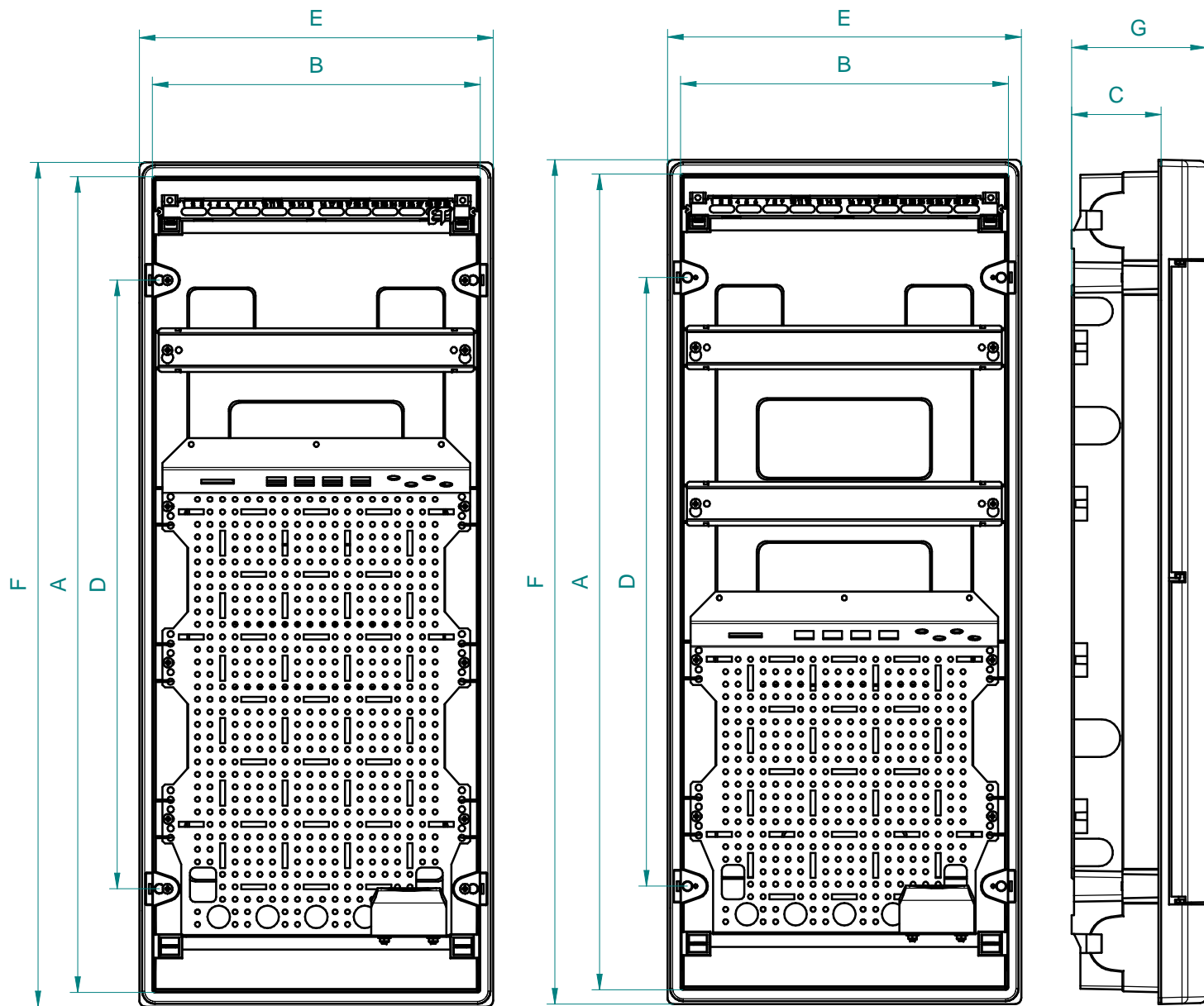
- Ⓒ GB Mounting instructions
- Ⓒ DE Montageanleitung
- Ⓒ SI Navodilo za montažo
- Ⓒ PL Instrukcje montażu
- Ⓒ HR Upute za montažu
- Ⓒ CZ Montážní návod
- Ⓒ SK Navod na montáž
- Ⓒ HU Szerelési utmutató
- Ⓒ LT Montavimo instrukcija
- Ⓒ RU Инструкция за монтаж
- Ⓒ LV Montāžas instrukcija
- Ⓒ EST Paigaldusjuhend



Przykładowy widok obudów ECM MEDIA_MOD

ETI Elektroelement d.o.o.
Obrezija 5
1411 Izlake
Slovenia

ETI Polam Sp. z o.o.
ul. Jana Pawła II 18
06-100 Pułtusk
Polska

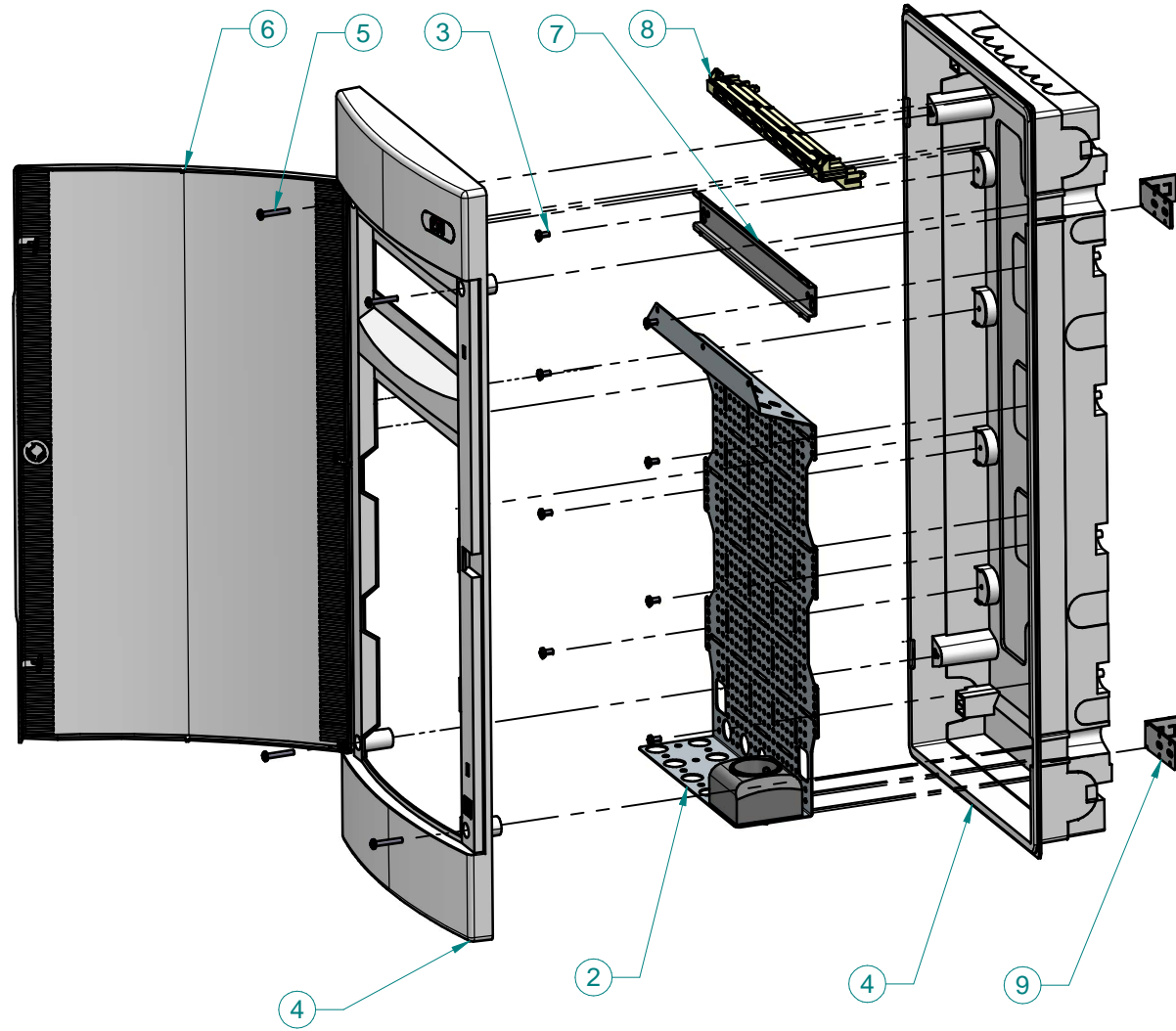


Type of MEDIA enclosure	A [mm]	B [mm]	C [mm]	D [mm]	E [mm]	F [mm]	G [mm]	Pde [W]	Weight [kg]
ECM36PO MEDIA-MOD	462	273	68	125	283	482	106	63	2,65
ECM48PO MEDIA-2x MOD	656	273	68	125	283	676	106	63	2,90
ECM 3x18PO MEDIA-MOD	503	382	68	125	392	522	106	63	2,90

For indoor locations (≤ 50% RH at max. +40°C or for example 90% RH at +20°C)
Temperature range: -25°C ... +60°C, Rating Voltage AC 400V; IP40; Class II; IK08
According to: IEC 60670; IEC 62208

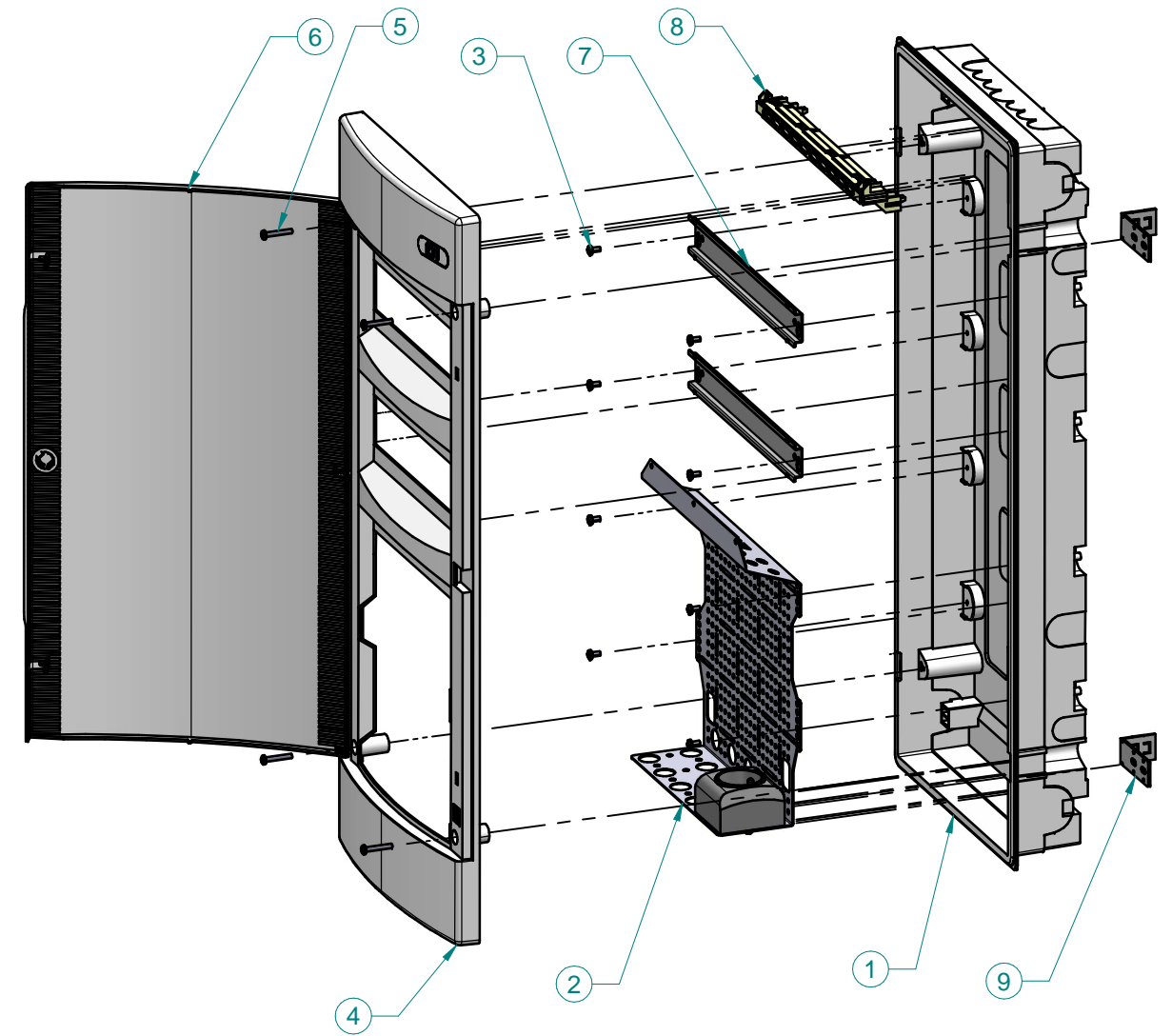
Assembly of ECM MEDIA 1xMOD enclosure

No.	Type	Pcs.
1	Bottom of ECT enclosure	1
2	Mounting plate with socket	1
3	Tapping screw	8
4	Front of ECT enclosure	1
5	Tapping screw	4
6	Door of ECT enclosure	1
7	DIN Rail TH35	1
8	PE/N Terminal	1
9	Mounting bracket	4



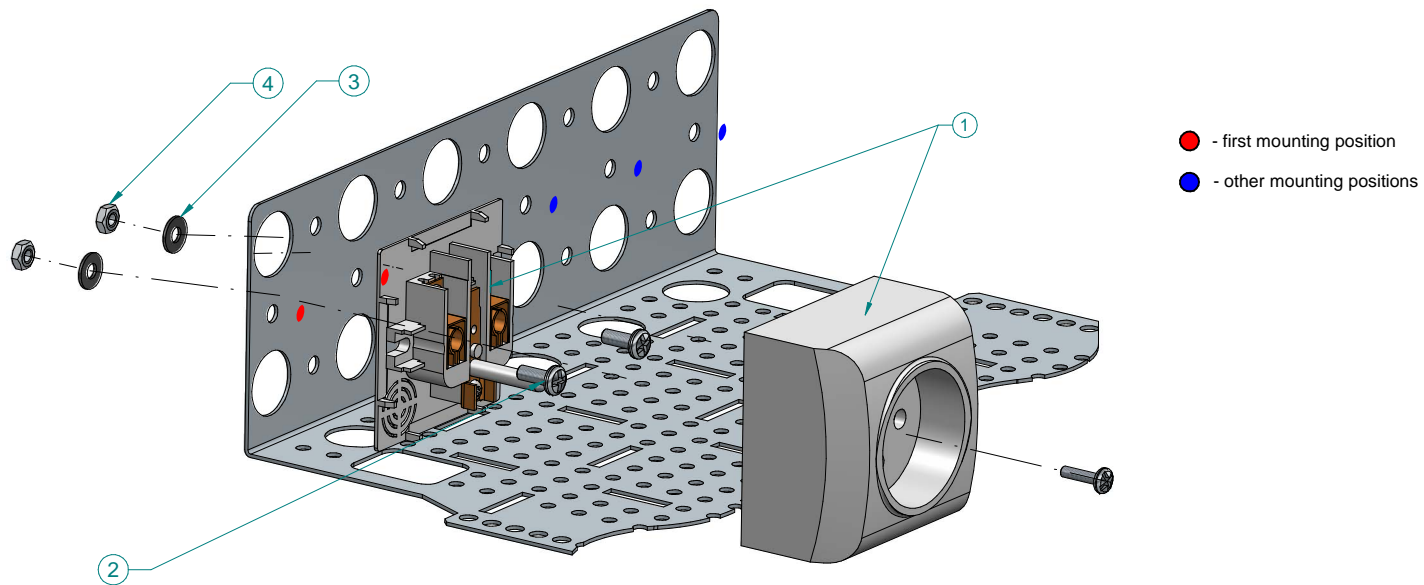
Assembly of ECM MEDIA 2xMOD enclosure

No.	Type	Pcs.
1	Bottom of ECT enclosure	1
2	Mounting plate with socket	1
3	Tapping screw	8
4	Front of ECT enclosure	1
5	Tapping screw	4
6	Door of ECT enclosure	1
7	DIN Rail TH35	2
8	PE/N Terminal	1
9	Mounting bracket	4



Socket installation on the mounting plate

No.	Type	Name	Pcs.
1	EGN-1BS/00 / EGN-1BZ/00	Socket	1
2	M4x10 WW-PZ-B DIN7985	Screw M4 DIN7985	2
3	P4.0x9.0x0.8B DIN125	Washer M4 DIN125	2
4	NM 4B DIN934	Nut M4 DIN934	2



Socket installation on the mounting plate

No.	Type	Name	Pcs.
1	EGN-1BS/00 / EGN-1BZ/00	Socket	1
2	M4x10 WW-PZ-B DIN7985	Screw M4 DIN7985	2
3	P4.0x9.0x0.8B DIN125	Washer M4 DIN125	2
4	NM 4B DIN934	Nut M4 DIN934	2

