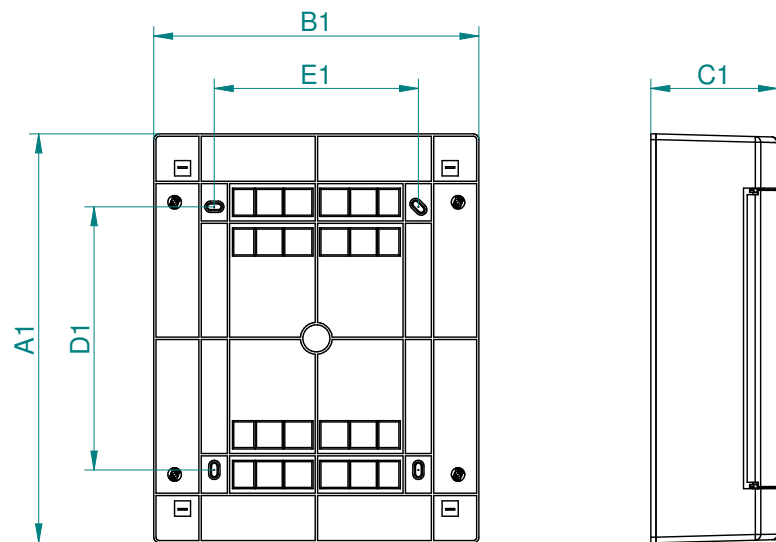


Type of MEDIA enclosure	A [mm]	B [mm]	C [mm]	D [mm]	E [mm]	F [mm]	G [mm]	Pde	Static load
ECM24PO MEDIA / ECM24PO MEDIA/EMPTY	357	283	106	125	273	336	68	>30W	1560 g
ECM36PO MEDIA / ECM36PO MEDIA/EMPTY	482	283	106	125	273	462	68	>30W	1560 g
ECM 2X18PO MEDIA / ECM 2X18PO MEDIA/EMPTY	357	392	106	125	382	336	68	>30W	2340 g
ECM 3X18PO MEDIA / ECM 3X18PO MEDIA/EMPTY	522	392	106	125	382	502	68	>30W	2340 g
ECM 3X18PO MEDIA-MOD / ECM 3X18PO MEDIA-MOD/EMPTY	522	392	106	125	382	502	68	>30W	2340 g



Type of MEDIA enclosure	A1 [mm]	B1 [mm]	C1 [mm]	D1 [mm]	E1 [mm]	Pde	Static load
ECT24PO MEDIA / ECT24PO MEDIA/EMPTY	361	287	112	232	180	>30W	1560 g
ECT36PO MEDIA / ECT36PO MEDIA/EMPTY	485	287	112	357	180	>30W	1560 g
ECT 2X18PO MEDIA / ECT 2X18PO MEDIA/EMPTY	361	396	112	232	289	>30W	2340 g
ECT 3X18PO MEDIA / ECT 3X18PO MEDIA/EMPTY	526	396	112	357	289	>30W	2340 g
ECT 3X18PO MEDIA-MOD / ECT 3X18PO MEDIA-MOD/EMPTY	526	396	112	357	289	>30W	2340 g

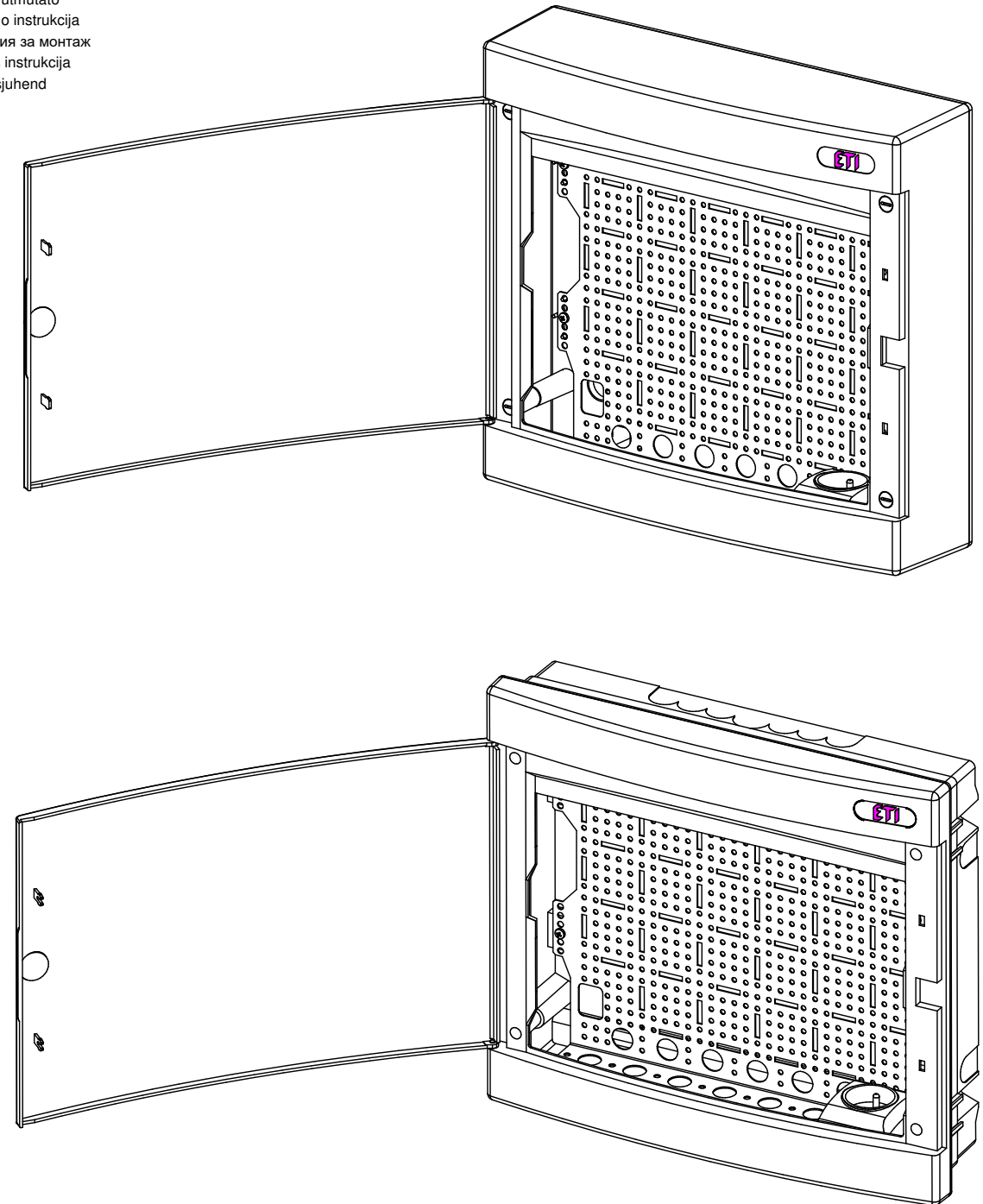
For indoor locations ($\leq 50\%$ RH at max. $+40^{\circ}\text{C}$ or for example 90% RH at $+20^{\circ}\text{C}$)
 Temperature range: -25°C ... $+60^{\circ}\text{C}$, Rating Voltage AC 400V; IP40; Class II; IK08
 According to: IEC 60670; IEC 62208



Power needs control

www.etigroup.eu

- Ⓒ Mounting instructions
- Ⓓ Montageanleitung
- Ⓔ Navodilo za montažo
- Ⓕ Instrukcje montażu
- Ⓖ Upute za montažu
- Ⓒ Montážni návod
- Ⓔ Navod na montáž
- Ⓖ Szerelesí utmutató
- Ⓕ Montavimo instrukcija
- Ⓖ Инструкција за монтаж
- Ⓕ Montāžas instrukcija
- Ⓒ Paigaldusjuhend

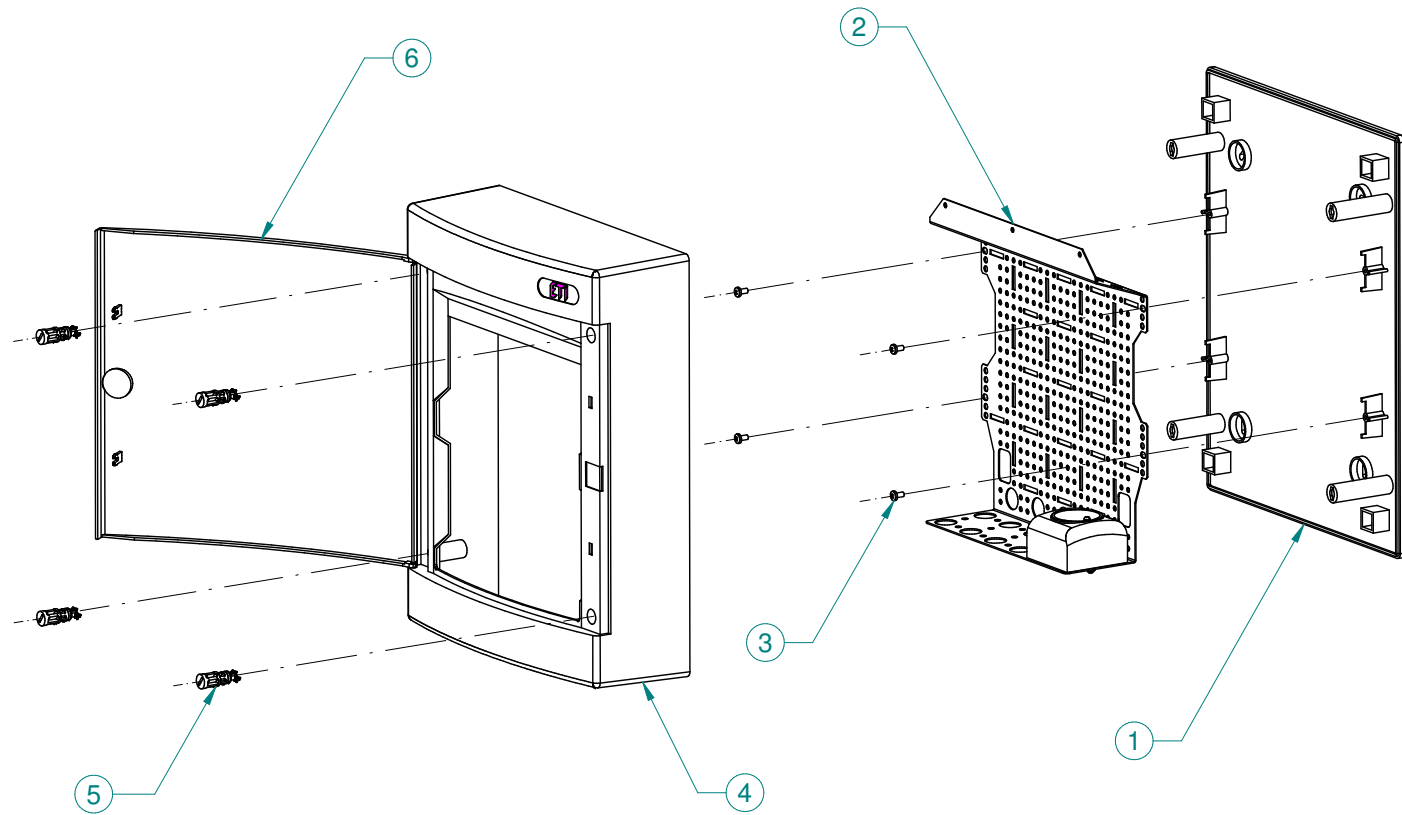


ETI Elektroelement d.o.o.
 Obrezija 5
 1411 Izlake
 Slovenia

ETI Polam Sp. z o.o.
 ul. Jana Pawła II 18
 06-100 Pułtusk
 Polska

Assembly of ECT MEDIA enclosure

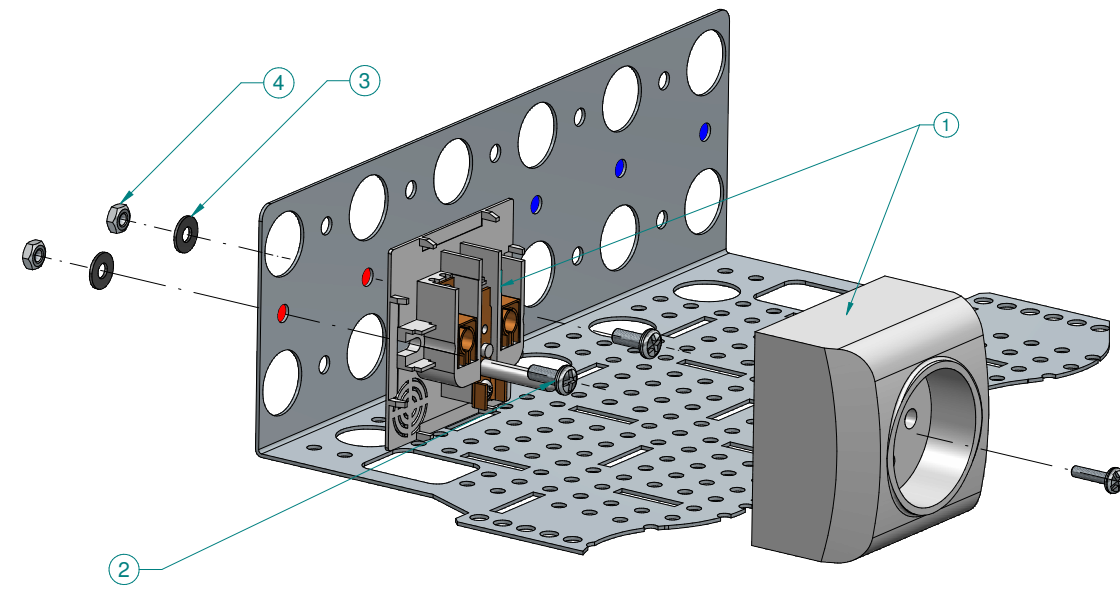
No.	Type	Pcs.
1	Bottom of ECT enclosure	1
2	Mounting plate with socket	1
3	Tapping screw	4
4	Front of ECT enclosure	1
5	Front fender pin	4
6	Door of ECT enclosure	1



Socket installation on the mounting plate

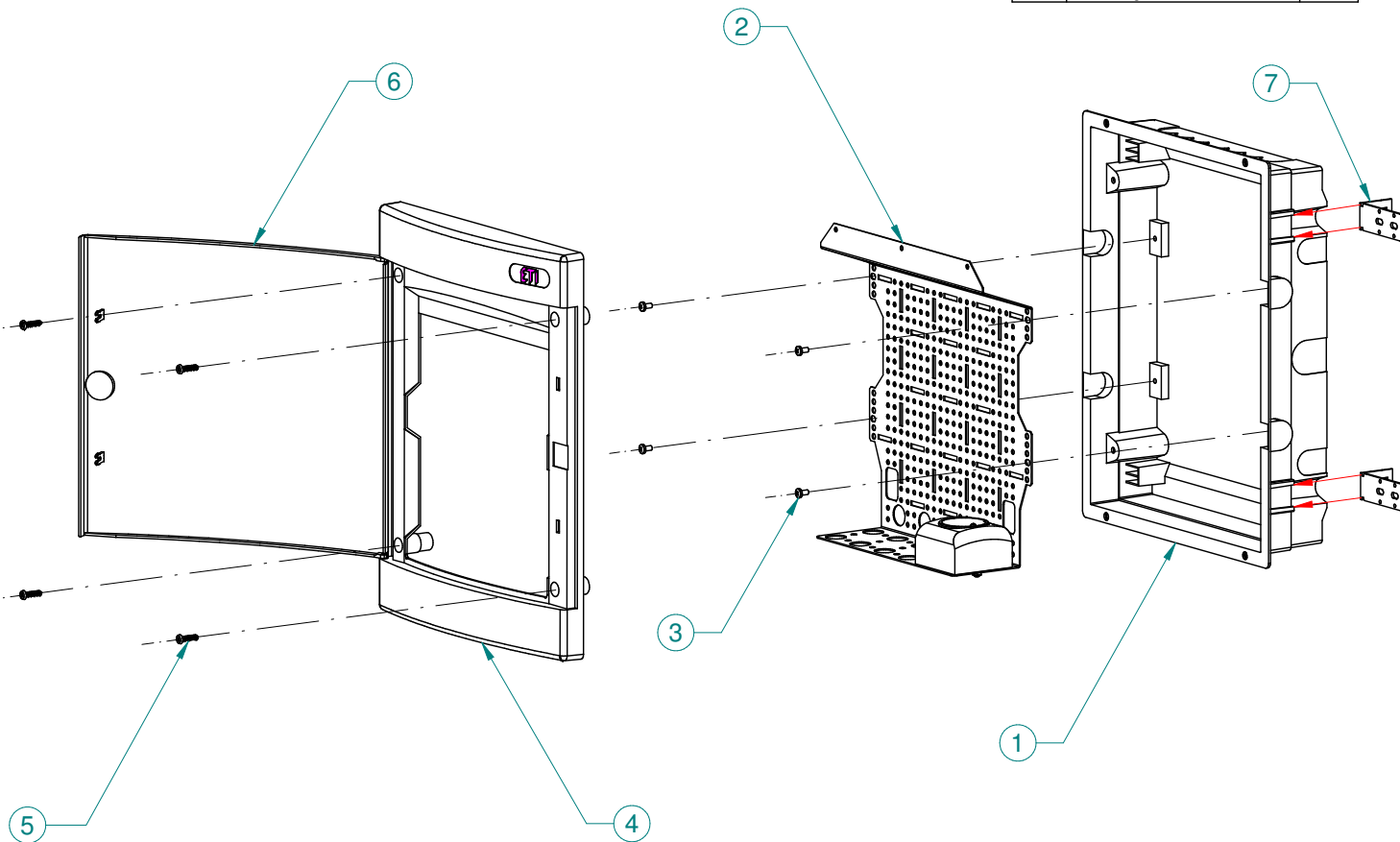
No.	Type	Name	Pcs.
1	EGN-1BS/00 / EGN-1BZ/00	Socket	1
2	M4x10 WW-PZ-B DIN7985	Screw M4 DIN7985	2
3	P4.0X9.0x0.8B DIN125	Washer M4 DIN125	2
4	NM 4B DIN934	Nut M4 DIN934	2

- - first mounting position
- - other mounting positions



Assembly of ECM MEDIA enclosure

No.	Type	Pcs.
1	Bottom of ECM enclosure	1
2	Mounting plate with socket	1
3	Tapping screw	4
4	Front of ECM enclosure	1
5	Tapping screw	4
6	Door of ECM enclosure	1
7	Mounting bracket	4



Socket installation on the bracket

No.	Type	Name	Pcs.
1	EGN-1BS/00 / EGN-1BZ/00	Socket	2
2	M4x10 WW-PZ-B DIN7985	Screw M4 DIN7985	4
3	P4.0X9.0x0.8B DIN125	Washer M4 DIN125	4
4	NM 4B DIN934	Nut M4 DIN934	4
5	AST 4.8x9.5	Tapping screw	2

