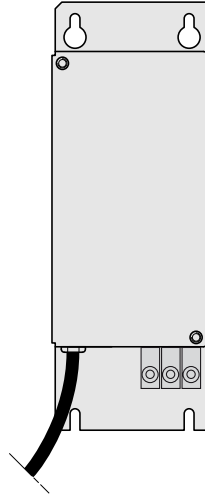




00162470016063



DANGER

Only appropriately trained persons who are familiar with and understand the contents of this manual and all other pertinent product documentation and who have received safety training to recognize and avoid hazards involved are authorized to work on and with this drive system.

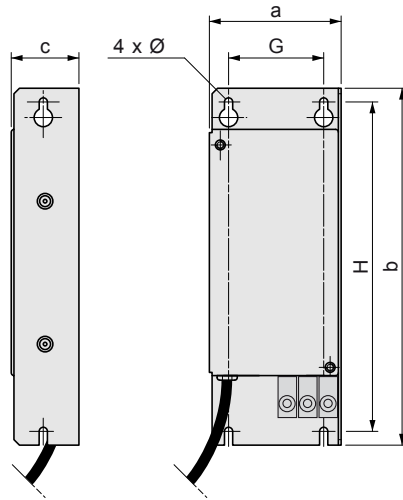
Installation, adjustment, repair and maintenance must be performed by qualified personnel.

- The system integrator is responsible for compliance with all local and national electrical code requirements as well as all other applicable regulations with respect to grounding of all equipment.
- Many components of the product, including the printed circuit boards, operate with mains voltage.
- Only use properly rated, electrically insulated tools and measuring equipment.
- Do not touch unshielded components or terminals with voltage present.
- Motors can generate voltage when the shaft is rotated. Prior to performing any type of work on the drive system, block the motor shaft to prevent rotation.
- AC voltage can couple voltage to unused conductors in the motor cable. Insulate both ends of unused conductors of the motor cable.
- Do not short across the DC bus terminals or the DC bus capacitors or the braking resistor terminals.
- Before performing work on the drive system:
 - Disconnect all power, including external control power that may be present.
 - Place a "Do Not Turn On" label on all power switches.
 - Lock all power switches in the open position.
 - Wait 15 minutes to allow the DC bus capacitors to discharge. The DC bus LED is not an indicator of the absence of DC bus voltage that can exceed 800 Vdc.
- Measure the voltage on the DC bus between the DC bus terminals (PA/+ and PC/-) using a properly rated voltmeter to verify that the voltage is <42 Vdc.
- If the DC bus capacitors do not discharge properly, contact your local Schneider Electric representative.
- Do not repair or operate the product.
- Install and close all covers before applying voltage.

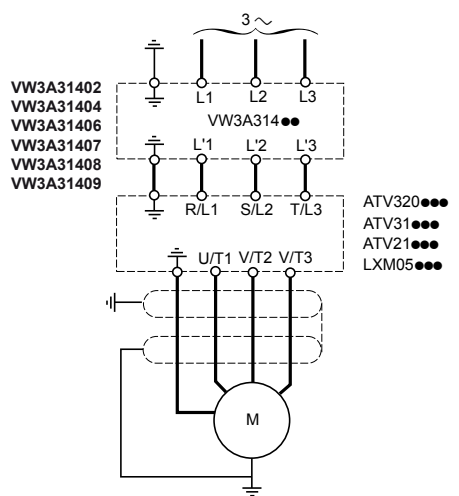
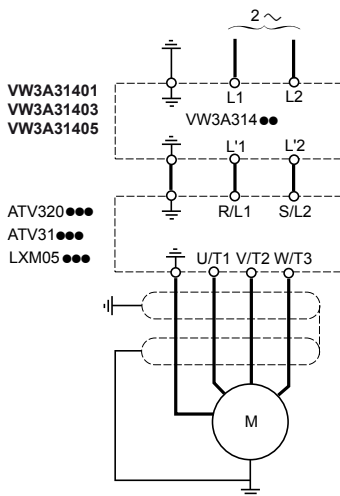
Failure to follow these instructions will result in death or serious injury.

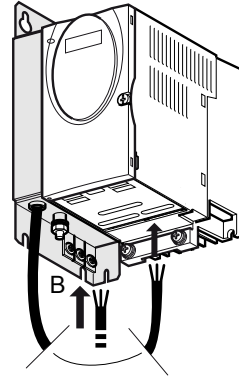
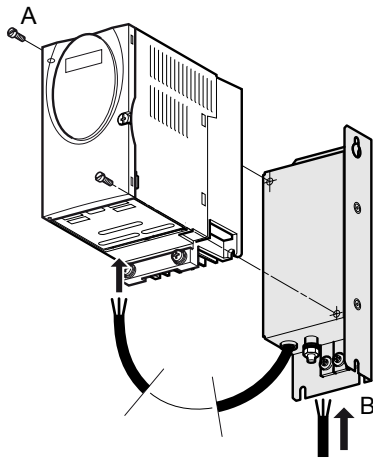
Electrical equipment should be installed, operated, serviced, and maintained only by qualified personnel. No responsibility is assumed by Schneider Electric for any consequences arising out of the use of this product.

© 2018 Schneider Electric. All Rights Reserved.

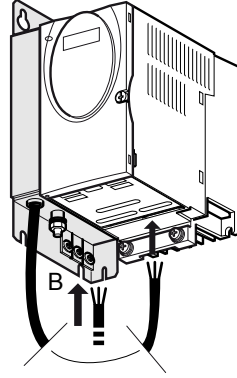
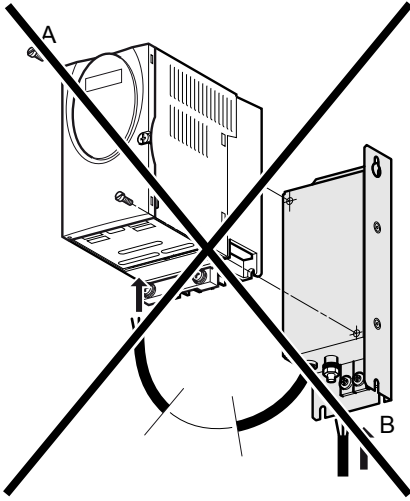



	a		b		c		G		H		Ø	
	(mm)	(inch)	(mm)	(inch)	(mm)	(inch)	(mm)	(inch)	(mm)	(inch)	(mm)	(inch)
VW3A31401	72	2.82	195	7.63	37	1.45	52	2.04	180	7.05	4.5	0.18
VW3A31402	72	2.82	195	7.63	37	1.45	52	2.04	180	7.05	4.5	0.18
VW3A31403	107	4.2	195	7.63	35	1.37	85	3.32	180	7.05	4.5	0.18
VW3A31404	107	4.2	195	7.63	42	1.65	85	3.32	180	7.05	4.5	0.18
VW3A31405	140	5.48	235	9.2	35	1.37	120	4.7	215	8.42	4.5	0.18
VW3A31406	140	5.48	235	9.2	50	1.96	120	4.7	215	8.42	4.5	0.18
VW3A31407	180	7.05	305	11.94	60	2.35	140	5.48	285	11.15	5.5	0.22
VW3A31408	245	9.59	395	15.46	80	3.14	205	8.03	375	14.7	5.5	0.22
VW3A31409	245	9.59	395	15.46	60	2.35	205	8.03	375	14.7	5.5	0.22





		A ↻		B ↻			
		Nm	lb.in	Nm	lb.in		
VW3A31401	9 A	ATV320U04M2C...U07M2C ATV31●●018M2, 037M2, 055M2, 075M2 LXM05●D10F1, D10M2		1.5	13.3	1.8	16
VW3A31402	7 A	ATV31●018M3●, 037M3●, 055M3●, 075M3● LXM05●D10M3X		1.5	13.3	1.8	16
VW3A31403	16 A	ATV320U11M2C...U15M2C ATV31●●U11M2, U15M2 LXM05●D17F1, D17M2		1.5	13.3	1.8	16
VW3A31404	15 A	ATV320U04N4C...U15N4C ATV31●HU11M3●, U15M3●, U22M3● ATV31●●037N4, 055N4, 075N4, U11N4, U15N4 LXM05●D17M3X, D14N4 ATV21●H075M3X, HU15M3X, HU22M3X ATV21●H075N4, HU15N4, HU22N4		1.5	13.3	1.8	16
VW3A31405	22 A	ATV31●●U22M2 LXM05●D28F1, D28M2		1.5	13.3	1.8	16
VW3A31406	25 A	ATV320U22N4C...U40N4C ATV31●HU30M3●, U40M3● ATV31●●U22N4, U30N4, U40N4 LXM05●D42M3X, D34N4 ATV21●HU30M3X, HU40M3X ATV21●HU30N4, HU40N4, HU55N4		1.5	13.3	1.8	16
VW3A31407	47 A	ATV31●HU55M3X, U75M3X ATV31●●U55N4, U75N4 LXM05●D57N4 ATV21●HU55M3X, HU75M3X ATV21●HU75N4, HD11N4		1.5	13.3	4.5	39.8
VW3A31408	83 A	ATV31●HD11M3●, D15M3● ATV21●HD11M3X, D15M3X, D18M3X		2.5	22.1	4.5	39.8
VW3A31409	49 A	ATV31●●D11N4, D15N4 ATV21●HD15N4, D18N4 ATV212HD22N4S		2.5	22.1	4.5	39.8



				
			Nm	lb.in
VW3A31401	9 A	ATV320U02M2C	1.8	16
VW3A31405	22 A	ATV320U22M2C	1.8	16