

Product End-of-Life Instructions

Product Range: TeSysU: base+ unit control

Marketing Model/Name: (List of multiple models if applicable)

This document covers the LUB-12 et LUB-32 (power base) and the LUCA et LUCB (control unit) generic references of the TeSys U range.

Purpose:

The product family must be disposed according to the legislation of the country. This document is intended for use by end of life recyclers or treatment facilities. It provides the basic information to assure an appropriate end of life treatment for the components and materials of the product.

Note :

This product family is not in the scope of EU directive 2002/96/EC, Waste Electrical and Electronic Equipment (WEEE).



Size in mm

H x L x D in mm: 154 x 45 x 126

Weight in kg : 0.900 kg without unit control

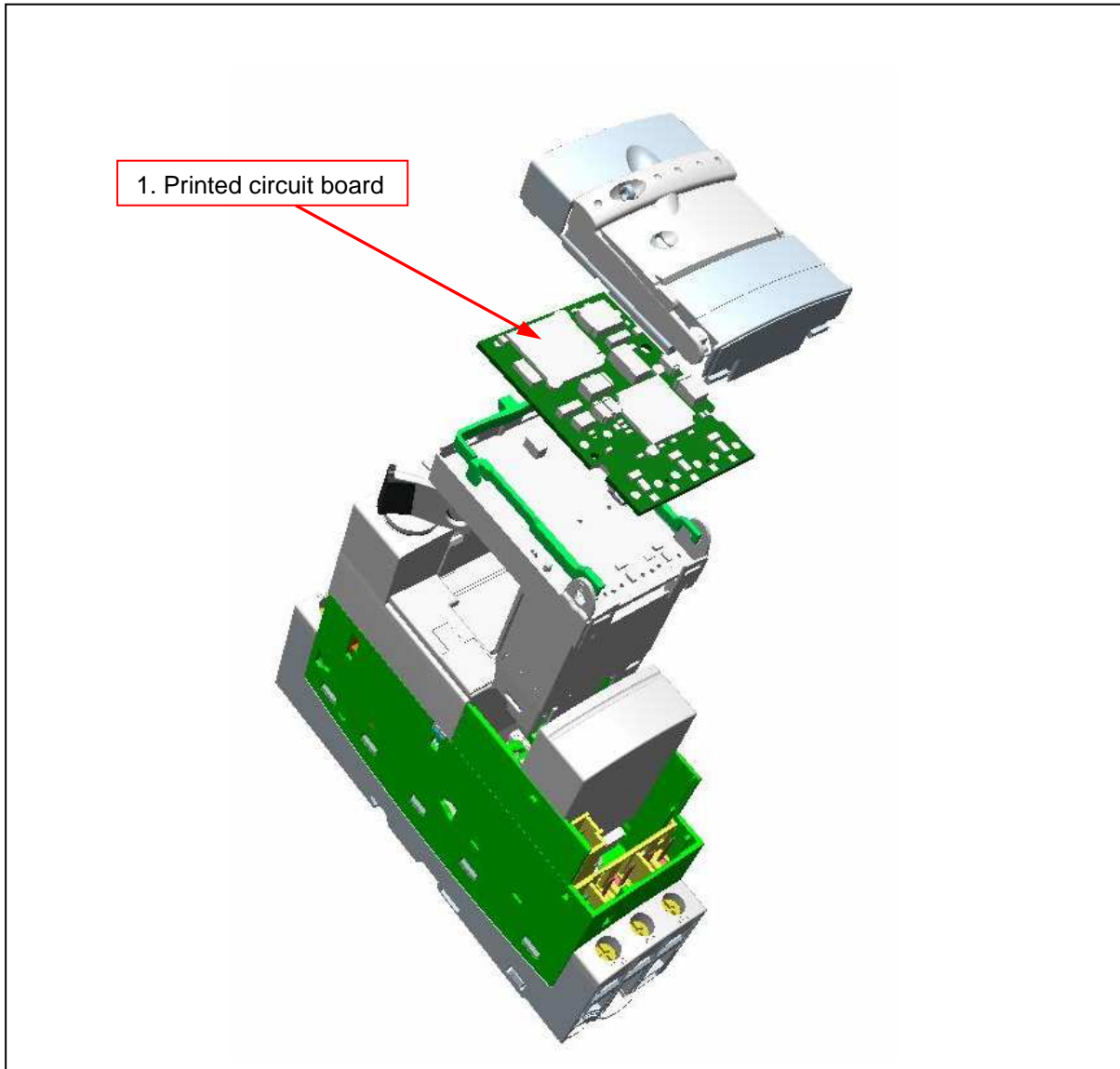
1.035 kg with unit control

Operations recommended for the end of life treatment

There are several steps to process the products at the end of life so as to recover components, materials or energy :
 Reuse → Depollution → Dismantling → Shredding.

The components of the products that optimize the recycling performances are listed, identified and located hereunder.

This product contains a printed circuit board which is recommended to be treated separately during the End of Life operations.



Number on drawing	Components	Weight (g)	Comment
Components listed for special treatment			
1	Printed circuit board	12.2 to 18.3 g	

Schneider Electric SA
 43-45, boulevard Franklin Roosevelt
 F-92500 Rueil-Malmaison Cedex (France)
 Tel.: +33 (0) 1 41 29 70 00
 www.schneider-electric.com

The version of the Guide used to create the document: End of Life Instruction Drafting Guide of Schneider Electric version V2

ENVEOLI100414EN

Publication date : 15/06/2010