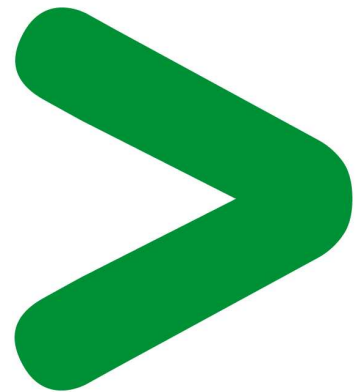
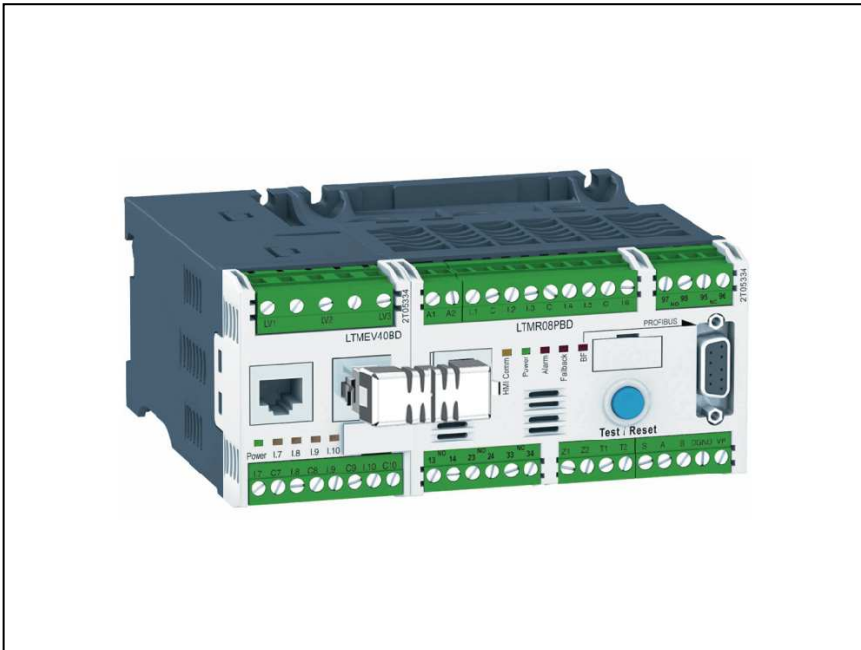


# Product End-of-Life Instructions

TeSys T  
Base and extension module



# Product End-of-Life Instructions – EoLI

## Product overview

Product Range: TeSys T

Marketing Model/Name:

- a LTMR motor management controller with:
  - built-in current transformers up to 100 A
  - inputs/outputs
  - a communication interface
- a LTME extension module with:
  - additional functions
  - additional inputs

**Size:** H x L x D in mm = **61 x 136 x 122.5**

**Weight** in g = **883.3**

## Purpose

The product family must be disposed according to the legislation of the country. This document is intended for use by end of life recyclers or treatment facilities. It provides the basic information to assure an appropriate end of life treatment for the components and materials of the product.

## Operations recommended for the end of life treatment

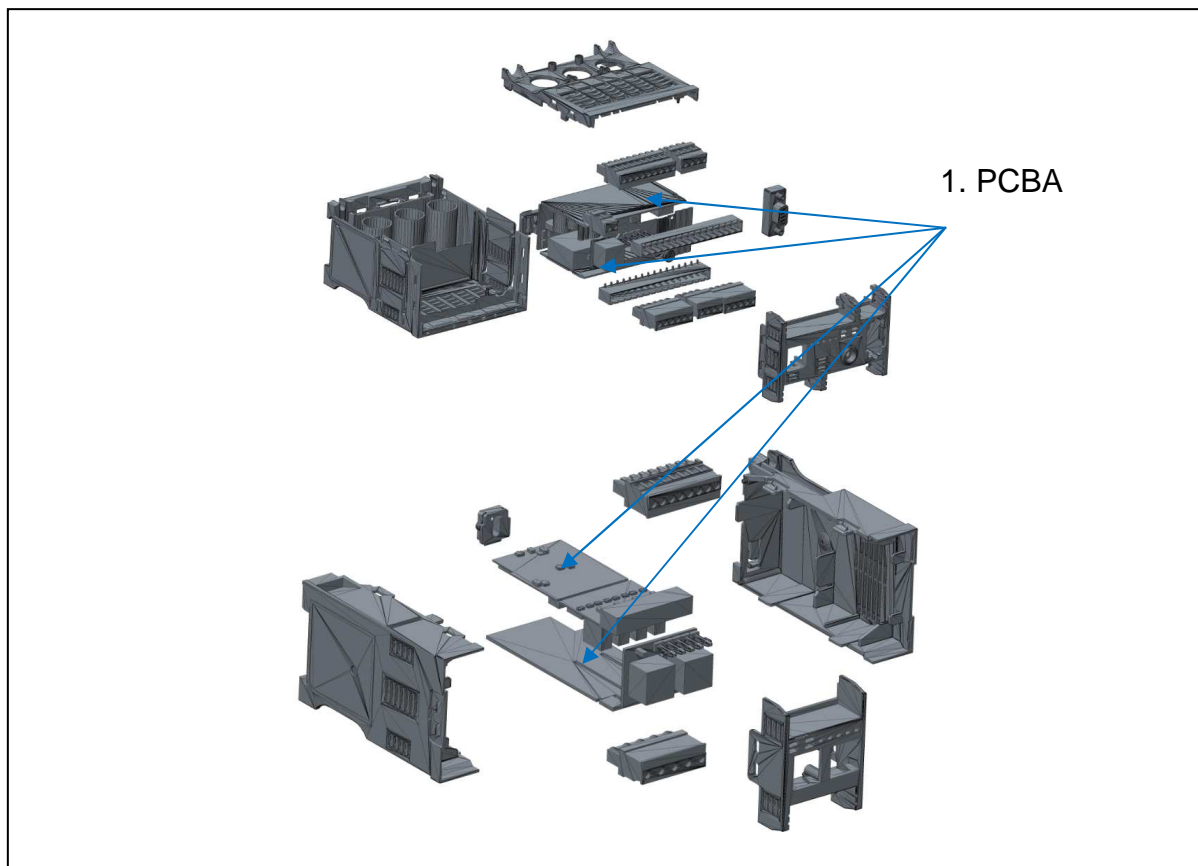
There are several steps to process the products at the end of life so as to recover components, materials or energy :

**Reuse → Separation for special treatment → Other dismantling → Shredding**

**CAUTION:** The product contains 4 PCBAs which are recommended to be treated separately during the End of Life operations.

## Product End-of-Life Instructions – EoLI

The components of the products that optimize the recycling performances are listed, identified and located hereunder.



Recommendation	Number on drawing	Components	Weight (in g)	Comment
Special treatment	1	PCBA	190.1	

EoLI achieved with Schneider-Electric TT03 V6 procedure

### Schneider Electric Industries SAS

35, rue Joseph Monier  
 CS 30323  
 F- 92506 Rueil Malmaison Cedex  
 RCS Nanterre 954 503 439  
 Capital social 896 313 776 €

[www.schneider-electric.com](http://www.schneider-electric.com)