

# Product End of Life Instructions

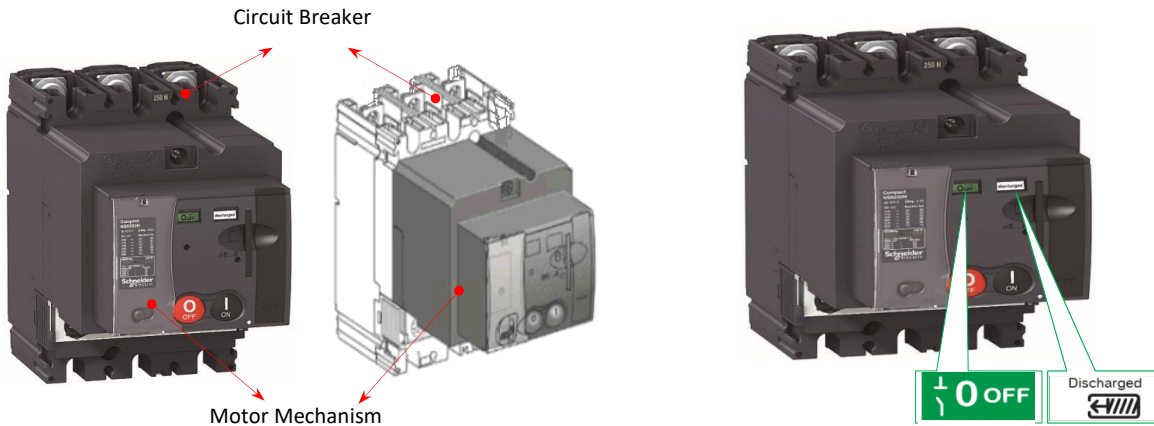
**Standard motor mechanism module MT250, ComPacT NSX250,  
220/240VAC 50/60Hz, 208/277VAC 60Hz**

**ComPacT NSX100/160/250 Motor Mechanism**



## ⚠ Potential disassembly risks

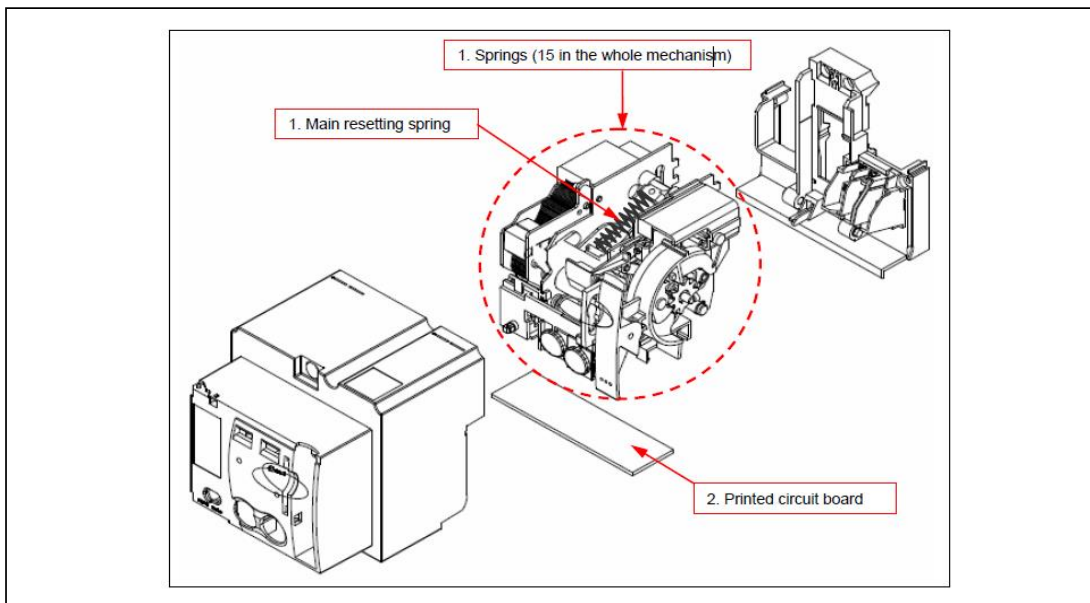
The Motor mechanism must be in OFF position and DISCHARGED state before starting dismantling operations.



Even when the mechanism is in OFF position and discharged state, **the energy spring remains under compression.**

For safety reasons, the entire mechanism must be removed from the basic frame **without dismantling the spring.**

## 🔧 End of Life Instructions



Recommendation	Number on drawing	Component / Material	Weight (in g)	Comment
Potential hazards	1	Motor Mechanism	1221	<b>Mechanism must be removed from the basic frame without dismantling the spring</b>
To be depolluted	2	Electronic Board (Communication) > 10cm <sup>2</sup>	17	Printed Circuit Board assembly

## Product description

Manufacturer identification	Schneider Electric Industries SAS
Brand name	Schneider Electric
Product function	<p>The MT250 standard motor mechanism module for ComPacT NSX 250 and PowerPacT Multistandard J frame devices is a mechanism that allows automatic device spring-charging. When equipped with this module, circuit breakers feature very high mechanical endurance as well as easy and reliable closing/opening operations.</p> <p>All circuit breaker indications and information remain visible and accessible, including trip unit settings and its indications.</p> <p>The suitability for isolation is maintained and padlocking of the device remains possible while providing a double insulation of the front face.</p> <p>The motor mechanism is supplied with an SDE adapter.</p>
Product reference	LV431541
Additional similar product references	LV431541 LV429433 LV429434 LV429435 LV429436 LV429437 LV429438 LV429439 LV429440 LV429441 LV431540 LV431542 LV431543 LV431544 LV431545 LV431546 LV431548 LV431549
Total representative product mass	1241,7 g
Representative product dimensions	96mm x 104mm x 110mm
Accessories	No
Date of information release	10/2023

## Additional information

Legal information	<p>This product family is in the scope of European Union directive 2012/19/EU on Waste Electrical and Electronic Equipment (WEEE). The product family must be disposed according to the legislation of the country. This document is intended for use by end of life recyclers or treatment facilities. It provides the basic information to assure an appropriate end of life treatment for the components and materials of the product.</p>	
In case of special transportation: transportation method	No	
Recyclability potential	<b>74%</b>	<p>Recyclability rate has been calculated based on REEECY'LAB tool developed by Ecosystem, for components/materials not covered by the tool, data from the "ECO'DEEE recyclability and recoverability calculation method" was taken. If no data was found a conservative assumption was used (0% recyclability).</p>

Schneider Electric Industries SAS

Country Customer Care Center  
<http://www.se.com/contact>

35, rue Joseph Monier  
CS 30323  
F- 92500 Rueil Malmaison Cedex  
RCS Nanterre 954 503 439  
Capital social 928 298 512 €

[www.se.com](http://www.se.com)

ENVEOLI2308038\_V1

Published by Schneider Electric

© 2023 - Schneider Electric – All rights reserved

10/2023