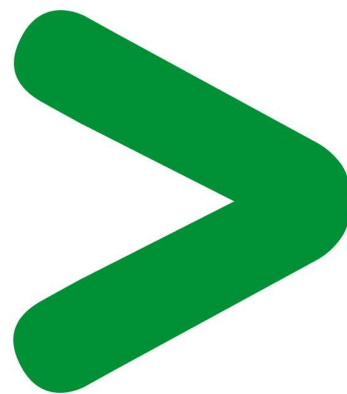


Product End-of-Life Instructions

**EASYPACT CVS 400–630A
CVS400F VIGI MB TM400D 4P3D**



Product End-of-Life Instructions – EoLI

Product overview

Product Range: EASYPACT CVS400~630

Marketing Model/Name: CVS400F VIGI MB TM400D 4P3D_ LV540339

Size: W x H x D in mm = 185 x 255 x 110

Weight in g = 9230 g

Purpose

The product family must be disposed according to the legislation of the country. This document is intended for use by end of life recyclers or treatment facilities. It provides the basic information to assure an appropriate end of life treatment for the components and materials of the product.

Note:

This product family is not in the scope of European Union directive 2012/19/EU on Waste Electrical and Electronic Equipment (WEEE).

Additional information

Energy-efficiency:

This product family is available with following phases: Active and off mode power demand. The availability of modes is as follow: Product dissipation is 11.57 W 30% in active mode and 0W at 70% in off mode, loading rate is 30% and service uptime percentage is 100%.

Resource-efficiency:

The recyclability potential of the products has been evaluated using the “ECO DEEE recyclability and recoverability calculation method” (version V1, 20 Sep. 2008 presented to the French Agency for Environment and Energy Management: ADEME).

According to this method, the potential recyclability ratio without packaging is: **72%**.

As described in the recyclability calculation method this ratio includes only metals and plastics which have proven industrial recycling processes.

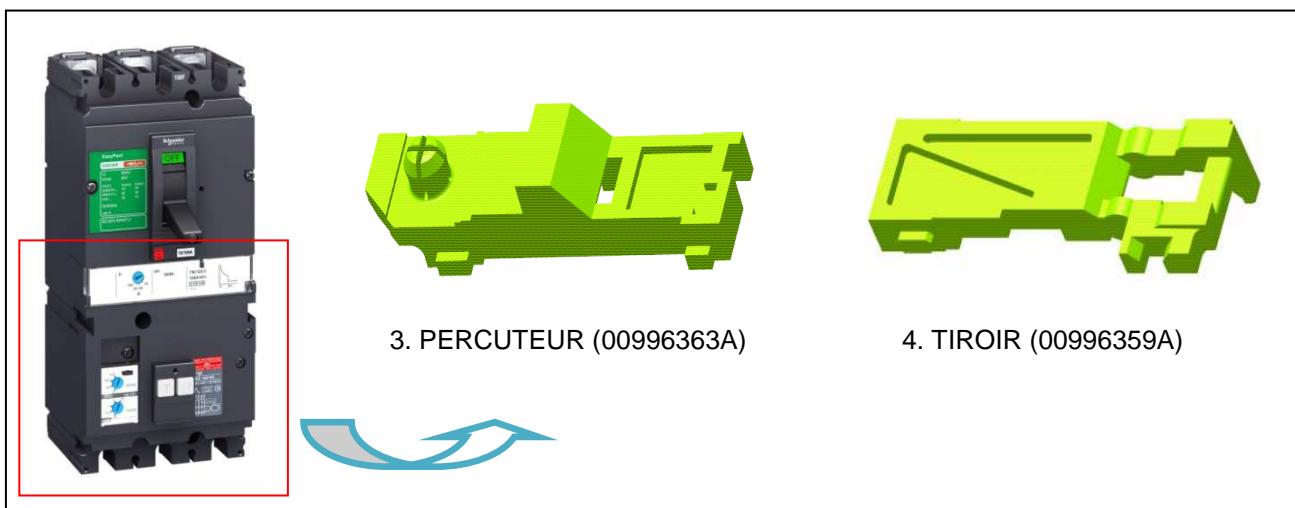
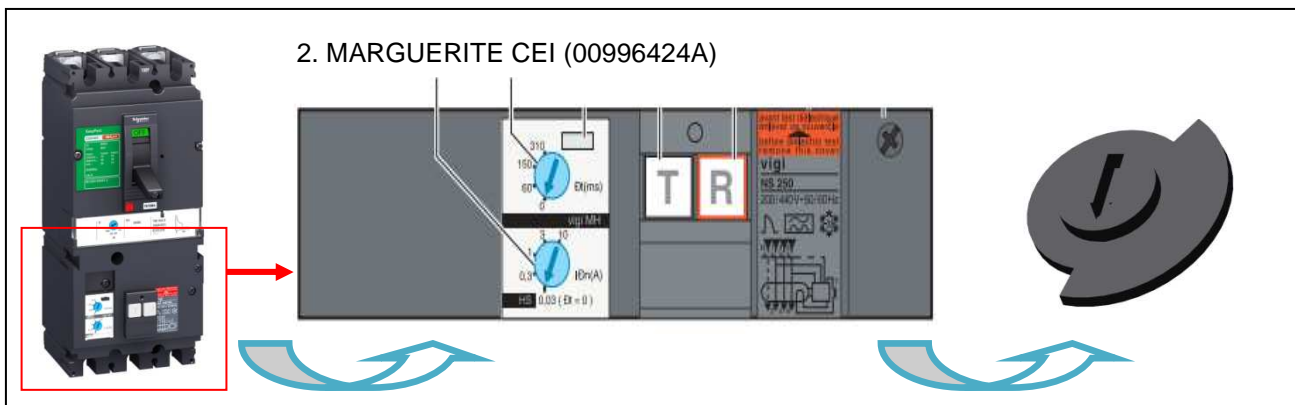
Operations recommended for the end of life treatment

There are several steps to process the products at the end of life so as to recover components, materials or energy :

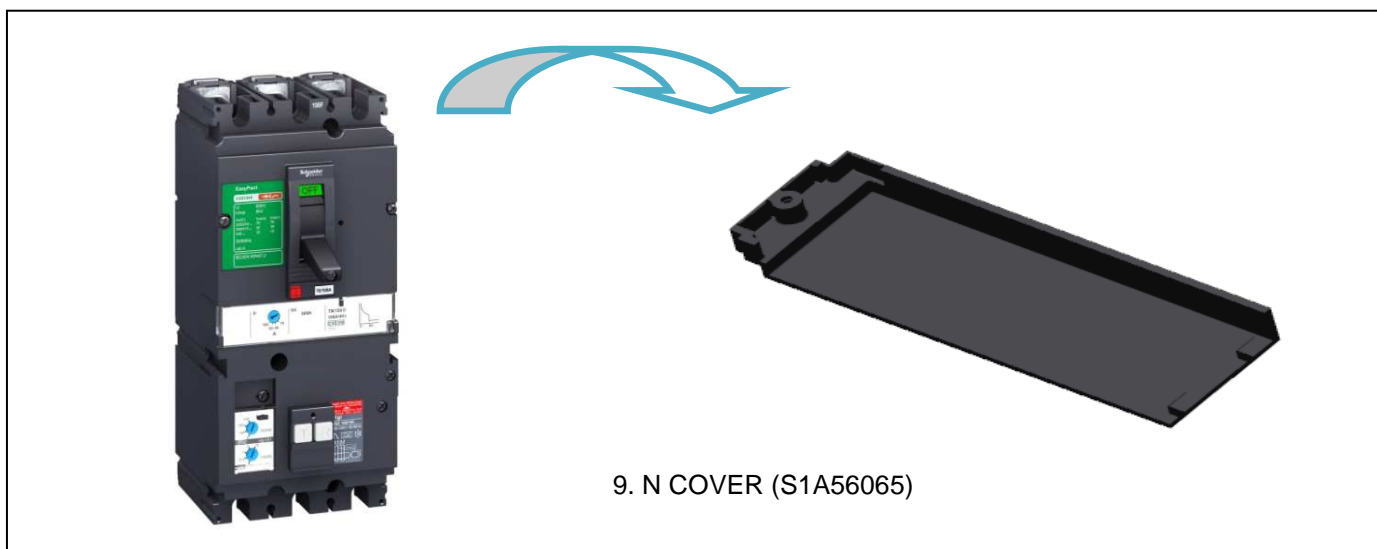
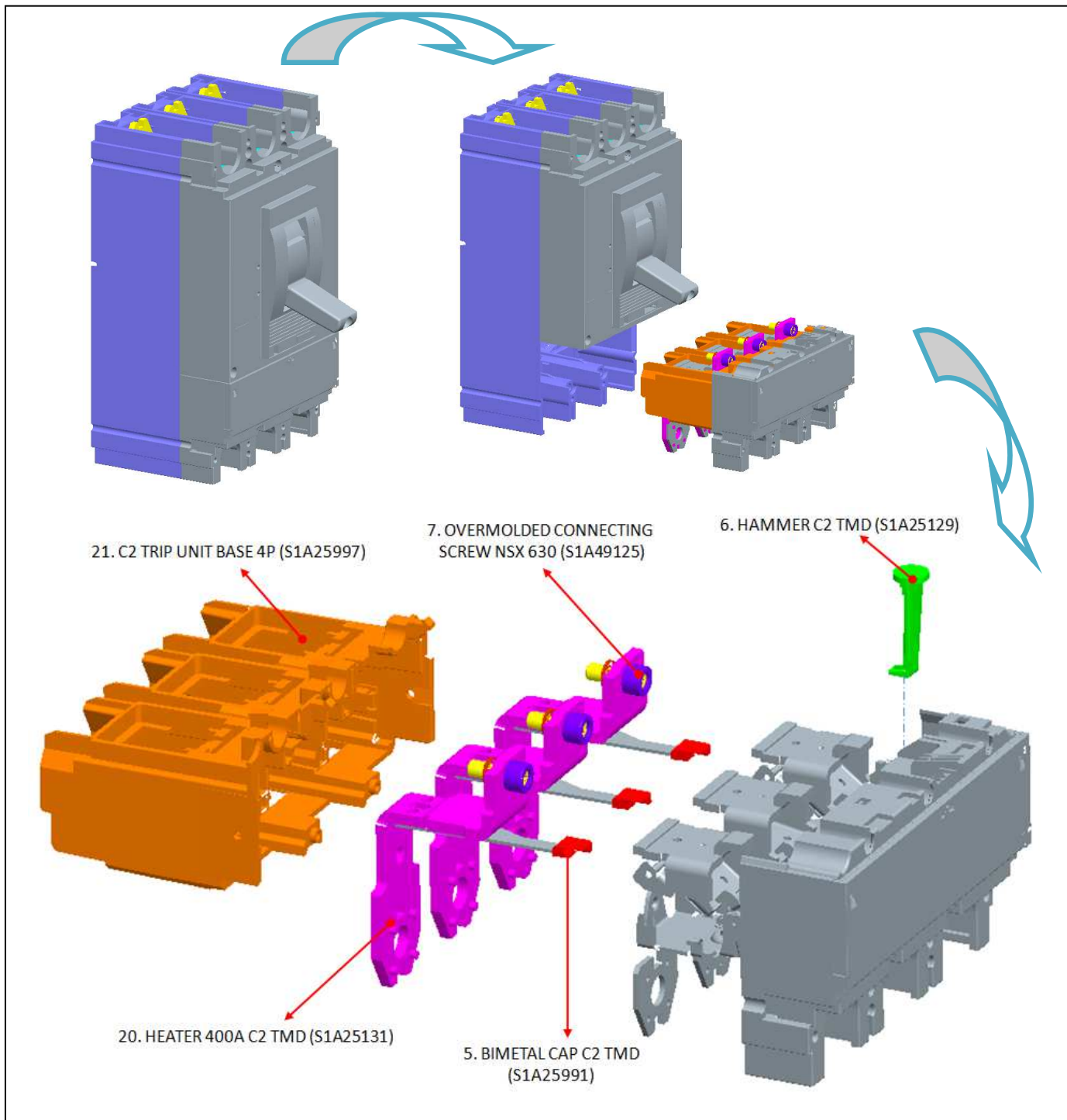
Reuse → Separation for special treatment → Other dismantling → Shredding

Product End-of-Life Instructions – EoLI

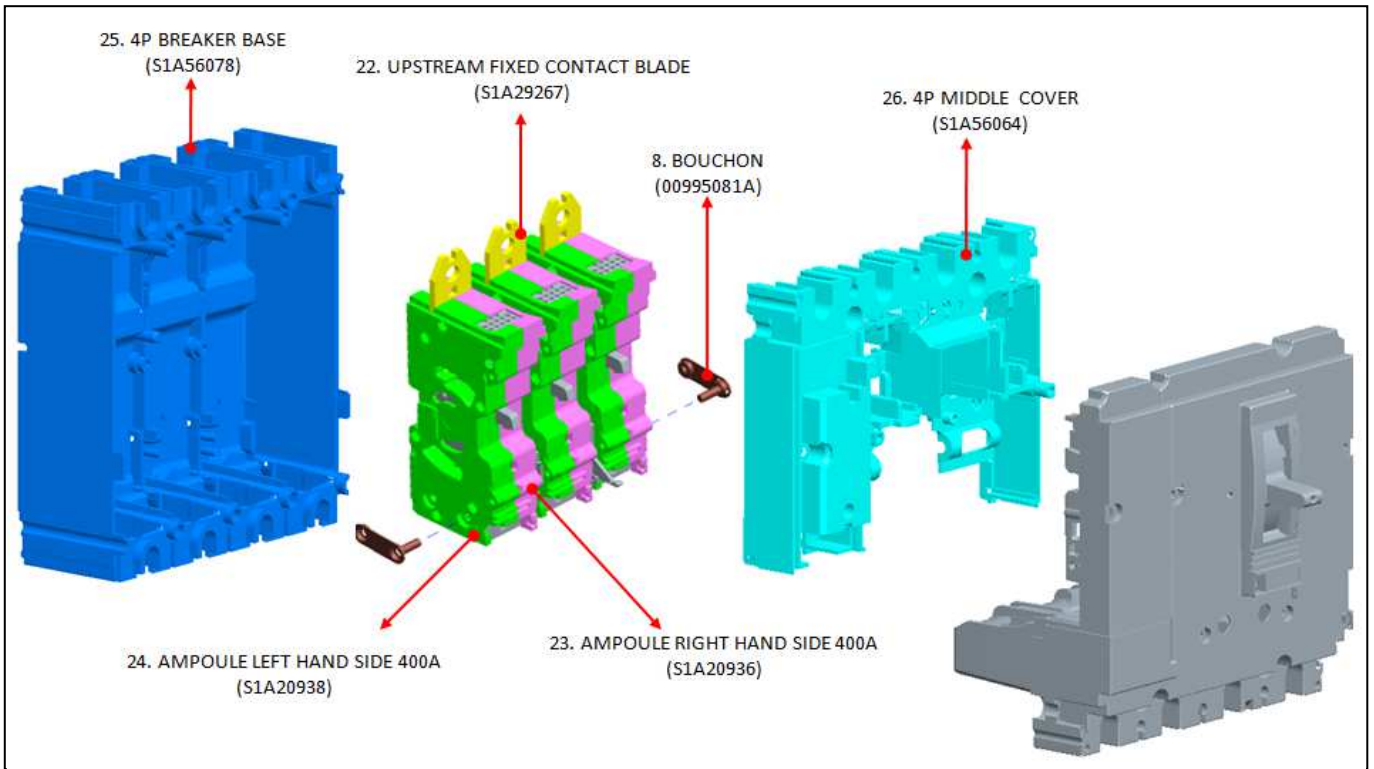
The components of the products that optimize the recycling performances are listed, identified and located hereunder.



Product End-of-Life Instructions – EoLI



Product End-of-Life Instructions – EoLI



Product End-of-Life Instructions – EoLI

14. CONNEXION AMONT PH3
(00996465A)



15. CONNEXION AMONT NEUTRE
(00996466A)



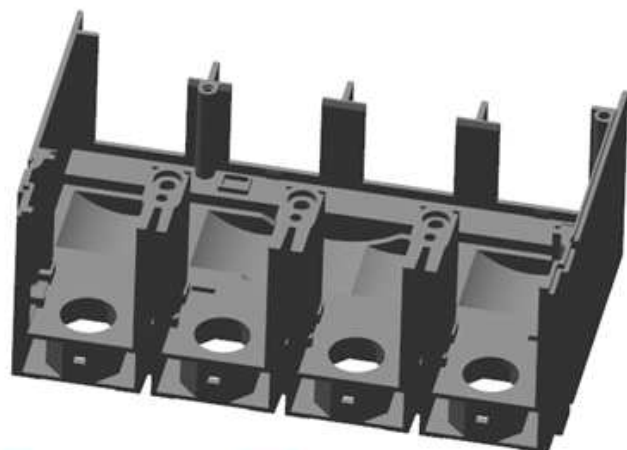
16. CONNEXION AVAL 2
(00996459A)



18. TRAVERSE
(00996455A)



17. NSX 630 VIGI CASE 4P
(GHD12757AA)



Product End-of-Life Instructions – EoLI

Number	Part Number	Components Description	Weight (in g)	Material
Printed circuit board assembly (PCBA)				
1	AAV44444 & AAV39645	PCBA ALIM VIGI & PCBA VIGI COMPACT CEI HS-MS, MS. JIS HS	25.33g	Electronics Parts
Plastic parts with brominated FR				
2	00996424A	MARGUERITE CEI	0.3g	PBT GF30 FR(17) BLUE
3	00996363A	PERCUTEUR	2.5g	PBT GF30 FR(17) GREY
4	00996359A	TIROIR	1.98g	PBT GF30 FR(17) GREY
5	S1A25991	BIMETAL CAP C2 TMD	1.79g	PA46 GF30 FR(17) NATURAL
6	S1A25129	HAMMER C2 TMD	1.68g	PA46 GF30 FR(17) NATURAL
7	S1A49125	OVERMOLDED CONNECTING SCREW NSX 630	4.70g	PA46 GF30 FR(17) BLACK
8	00995081A	BOUCHON	1.32g	PET GF15 FR(17) NATURAL
9	S1A56065	N COVER	27.64	PC GF10 FR GREY
Parts for Dismantling				
10	00996461A	CONNEXION AVAL NEUTRE	191.48g	EN 13599 - Cu-ETP-R240
11	AAV31914	4P COVER	148.68g	PC GF10 FR(40) GREY
12	00996458A	CONNEXION AVAL 1	111.67g	EN 13601 - Cu-ETP-R250
13	00996460A	CONNEXION AVAL 3	178.87g	EN 13599 - Cu-ETP-R240
14	00996465A	CONNEXION AMONT PH3	183.59g	EN 13601 - Cu-ETP-R230
15	00996466A	CONNEXION AMONT NEUTRE	185.43g	EN 13599 - Cu-ETP-R240
16	00996459A	CONNEXION AVAL 2	112.75g	EN 13601 - Cu-ETP-R250
17	GHD12757AA	NSX 630 VIGI CASE 4P	231.75g	PC GF10 FR(40) GREY
18	00996455A	TRAVERSE	491.07g	EN 13601 - Cu-ETP-R300
19	S1A37916	HEATER MA C2	112.66g	FTR00300 - T2-Y2-COPPER
20	S1A25131	HEATER 400A C2 TMD	302.18g	EN 1652 - CuZn15-R300
21	S1A25997	C2 TRIP UNIT BASE 4P	242.63g	UP-SMC GF (25-34) V0 NAT
22	S1A29267	UPSTREAM FIXED CONTACT BLADE	401.46g	FTR00300 - T2-Y2-COPPER

Product End-of-Life Instructions – EoLI

23	S1A20936	AMPOULE RIGHT HAND SIDE 400A	549.96g	UP-BMC GF (15-24) V0 NAT
24	S1A20938	AMPOULE LEFT HAND SIDE 400A	535.56g	UP-BMC GF (15-24) V0 NAT
25	S1A56078	4P BREAKER BASE	681.49g	PA6 GF30 FR(40) GREY
26	S1A56064	4P MIDDLE COVER	230.95g	PA6 GF30 FR(40) GREY

EoLI achieved with Schneider-Electric TT03 V6 procedure

Schneider Electric Industries SAS

35, rue Joseph Monier
CS 30323
F- 92506 Rueil Malmaison Cedex
RCS Nanterre 954 503 439
Capital social 896 313 776 €

www.schneider-electric.com