

Product End-of-Life Instructions

Lexium 32i 0.4 to 2.1 kW

Product Range

Lexium 32i 0.4 to 2.1 kW

Marketing Model

BMI0703T06A, VW3M9101, VW3M9002, VW3M9105



Size in mm:

H x L x D : 178 x 99 x 388

Weight (excluding packaging) in g:

6105

Weight Lexium 32i range in g:

Between 4720 and 11300



Schneider
Electric

Operations recommended for the end of life treatment

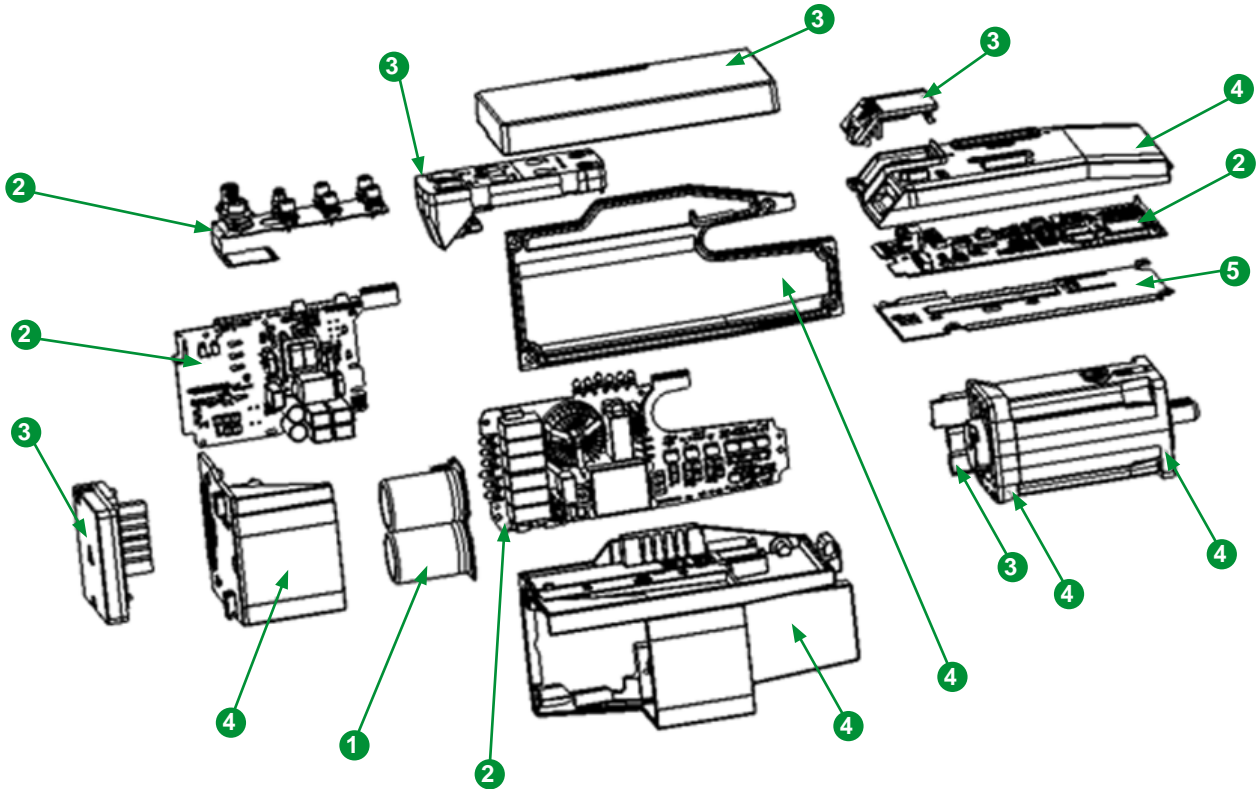
There are several steps to process the products at the end of life so as to recover components, materials or energy :

Reuse ⇒ Separation for special treatment ⇒ Other Dismantling ⇒ Shredding

The components of the products that optimize the recycling performances are listed, identified and located hereunder.

This Lexium 32i contains electrolytic capacitors which may cause electrical shock during the end of life treatment process.

BEFORE SERVICING, REMOVE ALL POWER, WAIT 15 MINUTES



Recommendation	Number on drawing	Components	Weight (g)	Comment
Operating hazards	①	Electrolytic Capacitors	–	–
Reuse	None	None	–	–
Special treatment	①	Electrolytic Capacitors	–	–
	②	PCBAs	–	–
Other dismantling	③	Plastic	365	PA, PBT, PC, PE
	④	Aluminium	2863	–
	⑤	Steel	1757	–
	None	Copper	375	–
	None	Magnet	192	NeFeB
	None			

Schneider Electric Industries SAS

35, rue Joseph Monier
CS30323
F - 92506 Rueil Malmaison Cedex

RCS Nanterre 954 503 439
Capital social 896 313 776 €
www.schneider-electric.com

The version of the Guide used to create the document: End of Life Instruction Drafting Guide of Schneider Electric version V1.

Publication : Schneider Electric