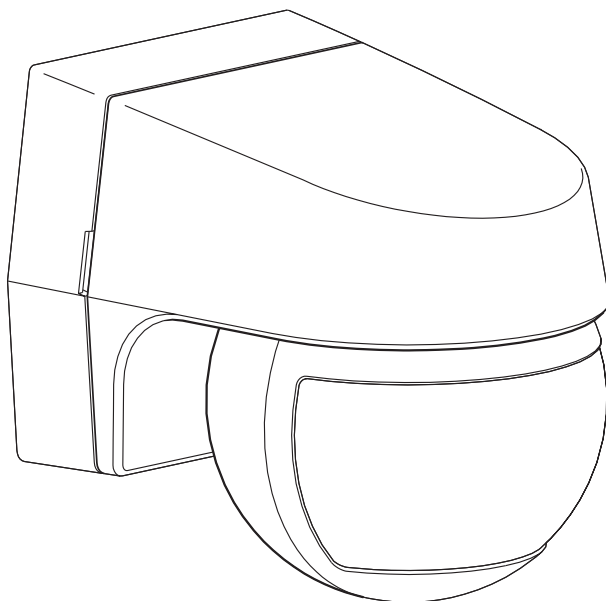


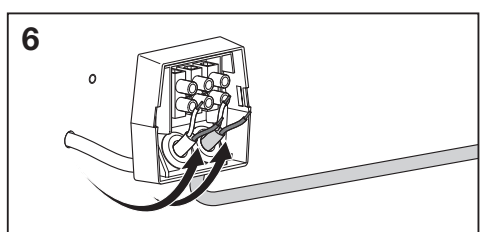
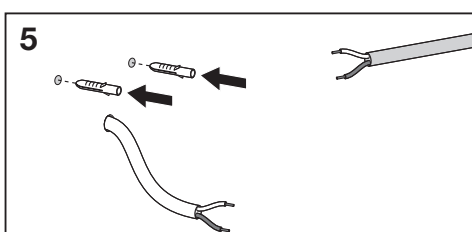
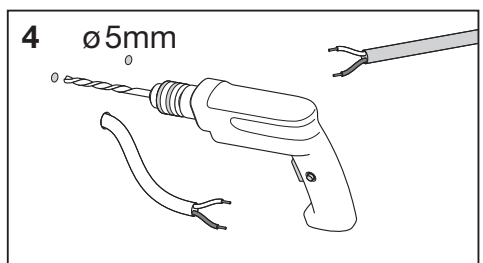
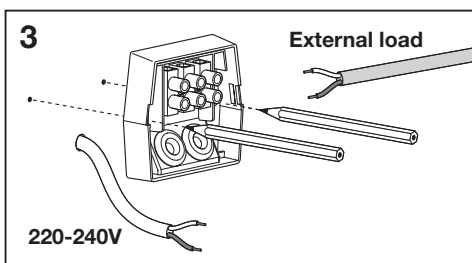
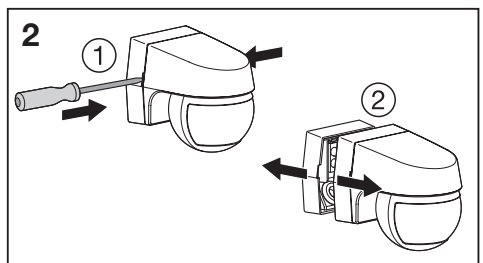
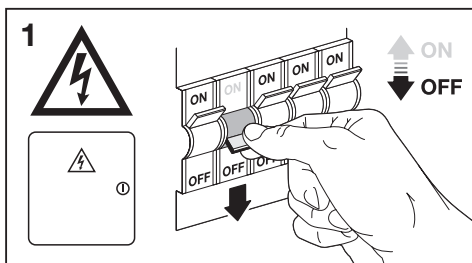
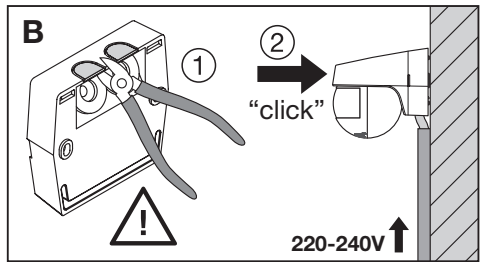
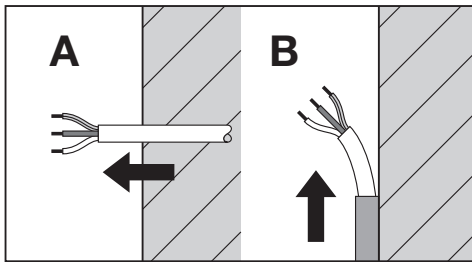
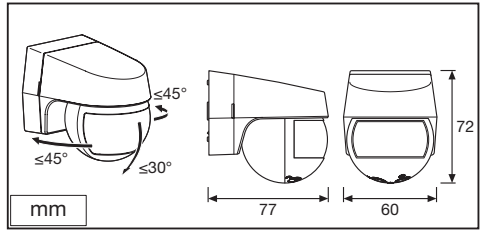
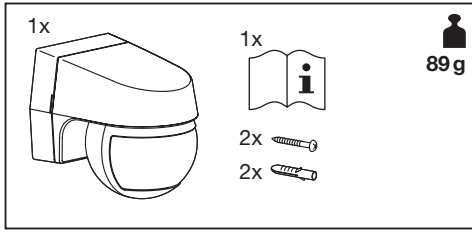
---

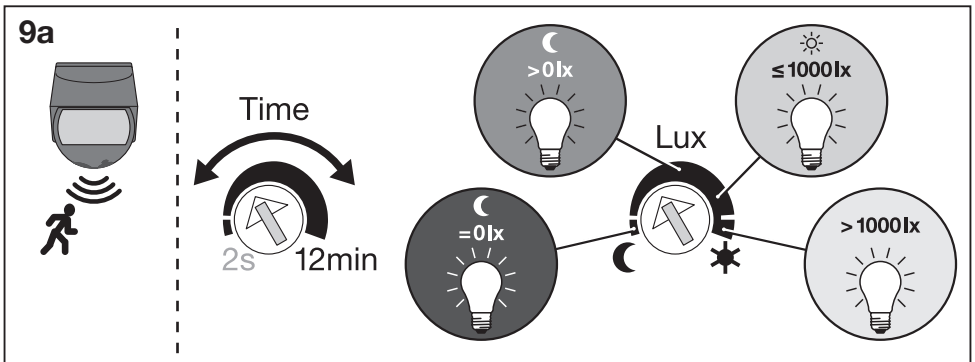
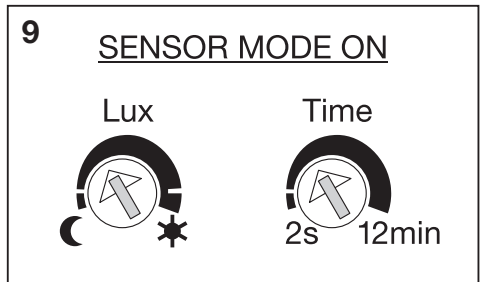
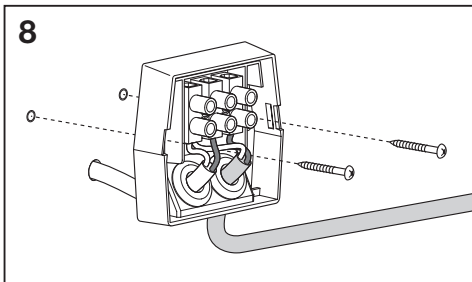
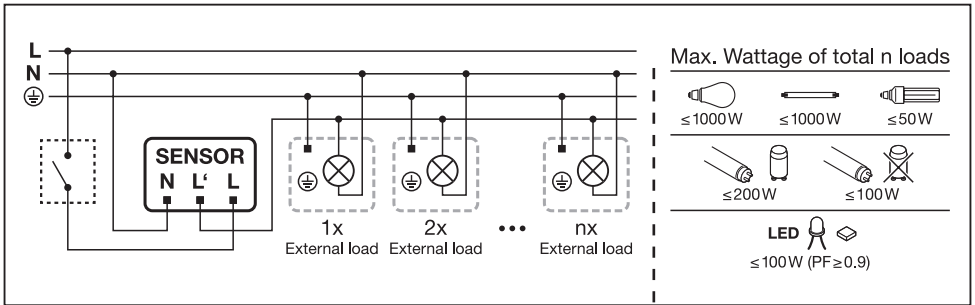
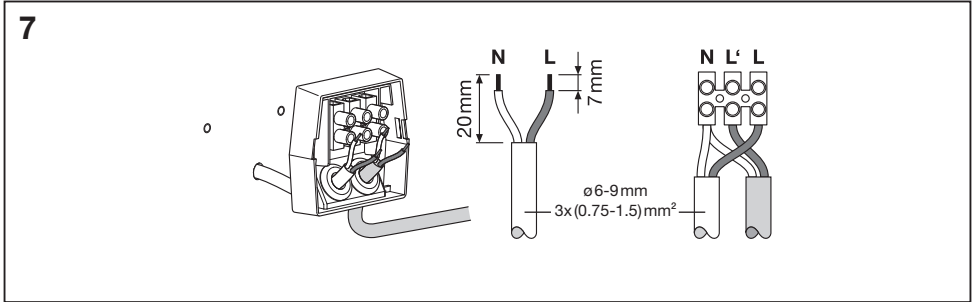
# SENSOR WALL 110DEG

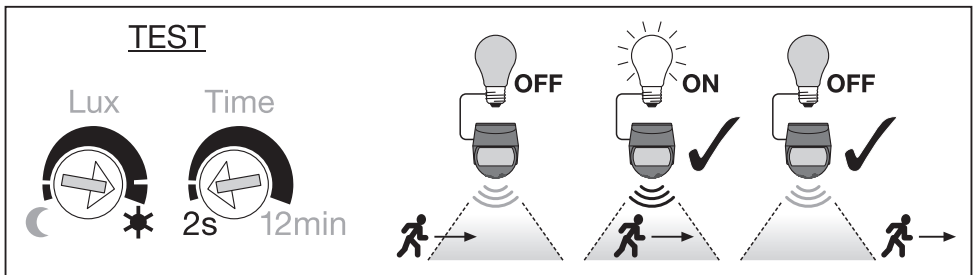
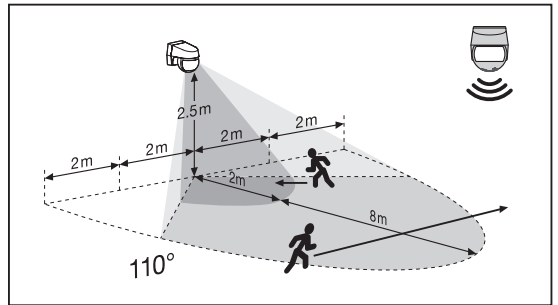
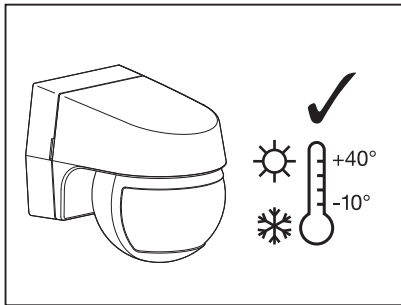
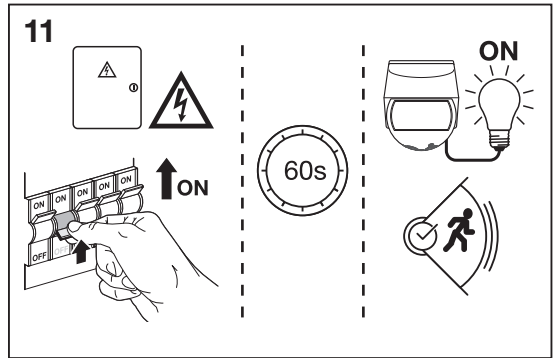
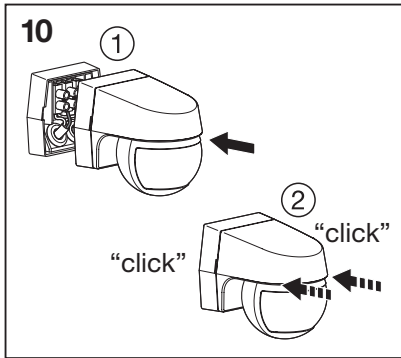
---



	EAN	IP	IK	Temp. (°C)	V <sub>AC</sub>	Hz
SENSOR WALL 110DEG IP44 WT	4058075244733	44	05	-10...+40	220-240V	50/60 Hz
SENSOR WALL 110DEG IP44 DG	4058075244757	44	05	-10...+40	220-240V	50/60 Hz







C10449057  
G11127239  
03.11.2021



LEDVANCE GmbH  
Steinerne Furt 62  
86167 Augsburg, Germany  
[www.ledvance.com](http://www.ledvance.com)