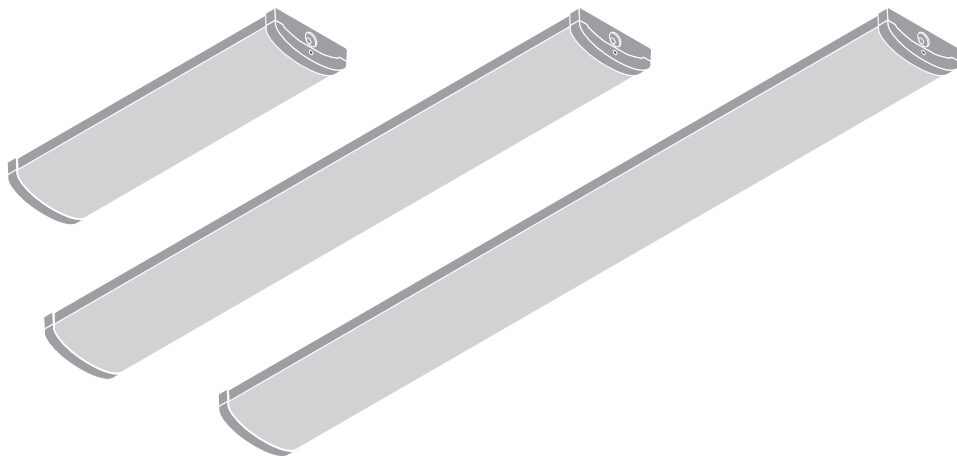
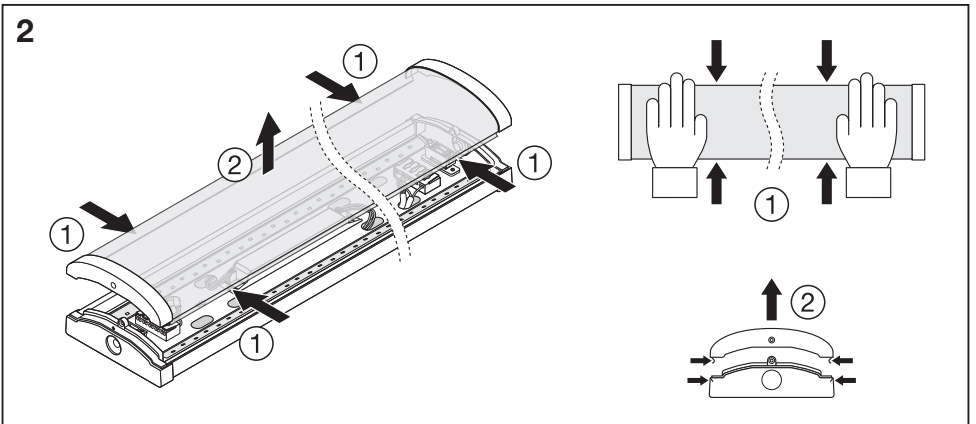
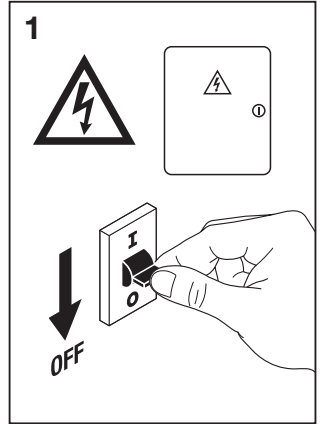
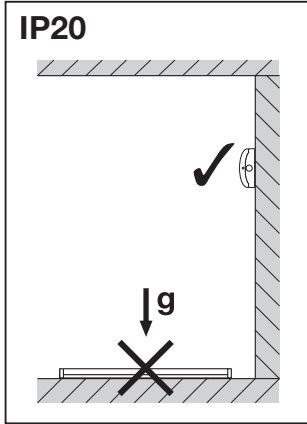
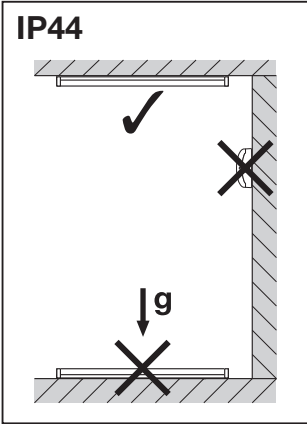
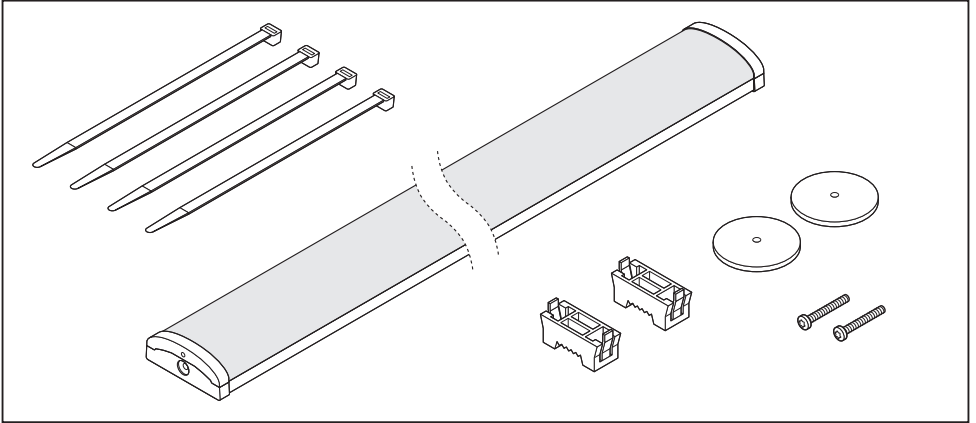


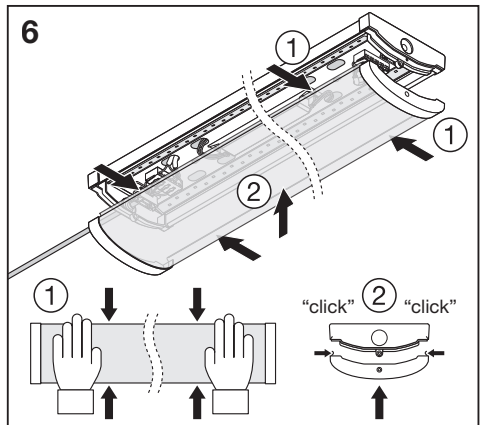
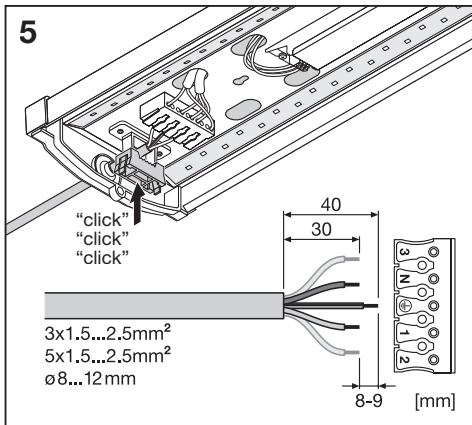
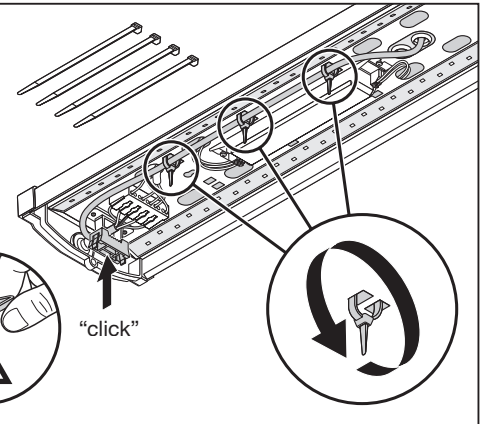
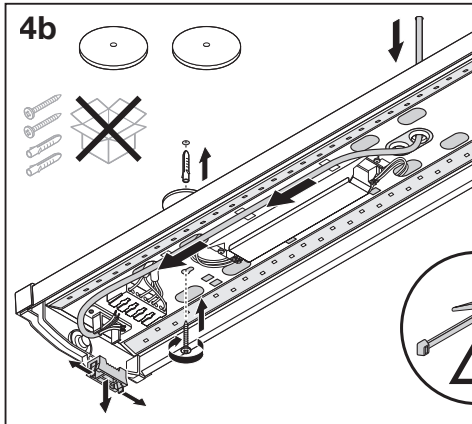
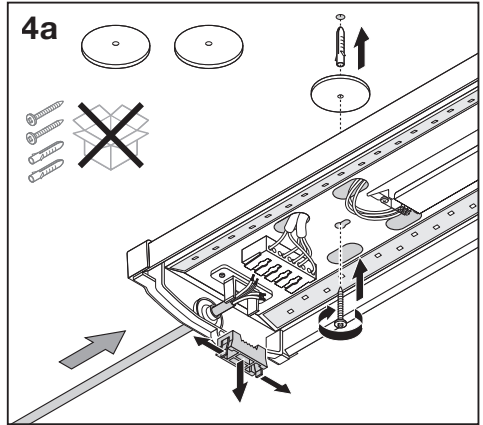
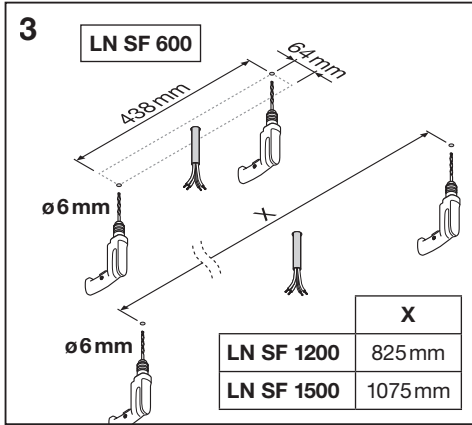
LINEAR SURFACE

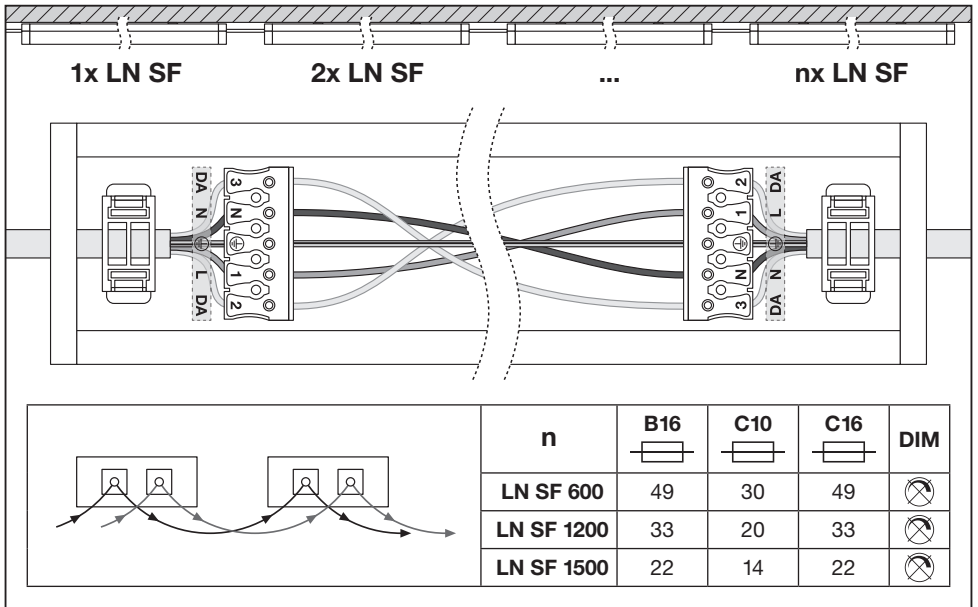
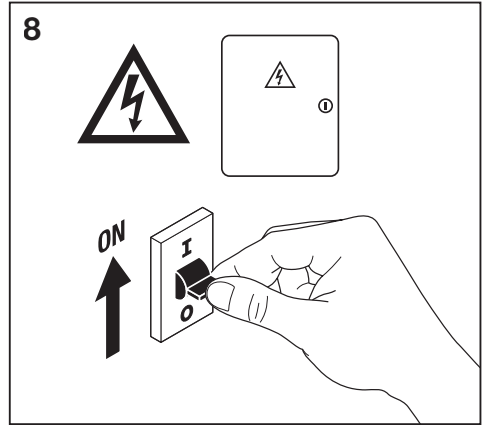
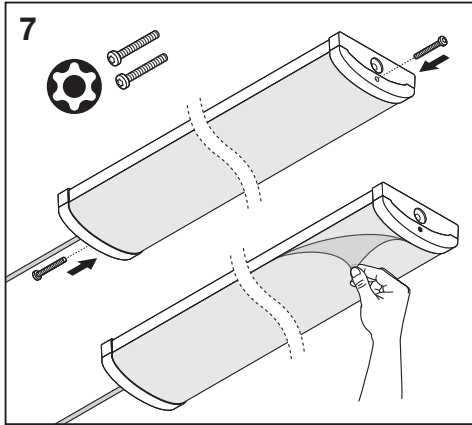


	EAN	l x w x h [mm]	W	V _{AC}	Hz	lm	lm/W
LN SF 600 P 18W 840 WT IP44	4058075733091	608 x 166 x 63	18	220-240V	50/60Hz	2430	135
LN SF 1200 P 32W 840 WT IP44	4058075733114	1176 x 166 x 63	32	220-240V	50/60Hz	4384	137
LN SF 1500 P 45W 840 WT IP44	4058075733138	1476 x 166 x 63	45	220-240V	50/60Hz	6165	137
LN SF 600 P 18W 830 WT IP44	4058075733152	608 x 166 x 63	18	220-240V	50/60Hz	2250	125
LN SF 1200 P 32W 830 WT IP44	4058075733176	1176 x 166 x 63	32	220-240V	50/60Hz	4160	130
LN SF 1500 P 45W 830 WT IP44	4058075733190	1476 x 166 x 63	45	220-240V	50/60Hz	5850	130

	EAN	K	IP	IK	∠	R _a	⊡ (°C)	PF	👤
LN SF 600 P 18W 840 WT IP44	4058075733091	4000	44	08	110°	80	-20...+40	> 0.9	1.4kg
LN SF 1200 P 32W 840 WT IP44	4058075733114	4000	44	08	110°	80	-20...+40	> 0.9	2.4kg
LN SF 1500 P 45W 840 WT IP44	4058075733138	4000	44	08	110°	80	-20...+40	> 0.9	3.0kg
LN SF 600 P 18W 830 WT IP44	4058075733152	3000	44	08	110°	80	-20...+40	> 0.9	1.4kg
LN SF 1200 P 32W 830 WT IP44	4058075733176	3000	44	08	110°	80	-20...+40	> 0.9	2.4kg
LN SF 1500 P 45W 830 WT IP44	4058075733190	3000	44	08	110°	80	-20...+40	> 0.9	3.0kg







 LEDVANCE GmbH
Steinerne Furt 62
86167 Augsburg, Germany
www.ledvance.com

© LEDVANCE Ltd, Aquila House
Delta Crescent, Westbrook, Warrington
WA5 7NR, United Kingdom

C10449057
G11152078
05.10.22