

# Product End of Life Instructions

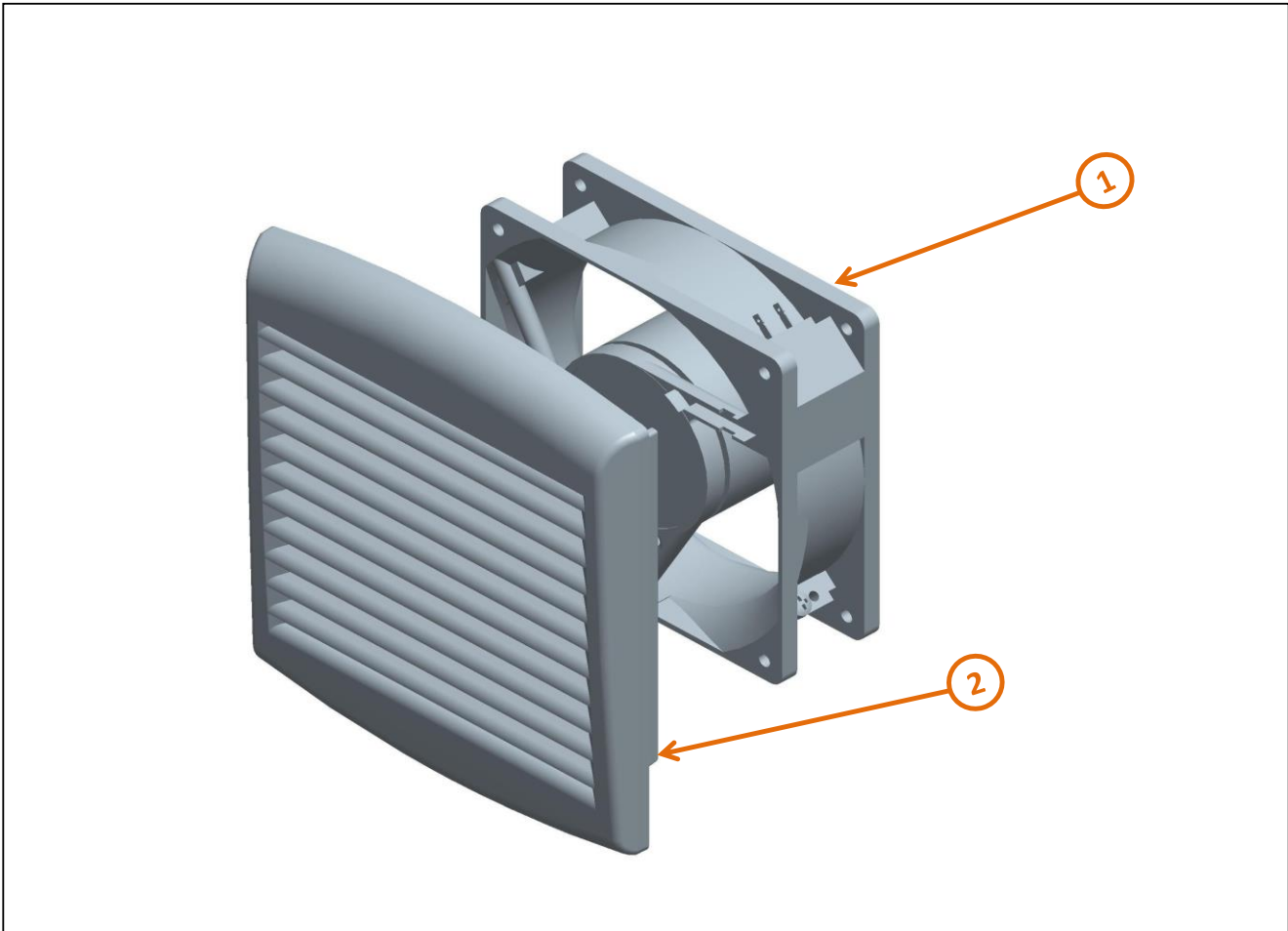
## ClimaSys CV - Filterfan



 **Potential disassembly risks**

*No Risk for the disassembly in terms of electric shock.*

 **End of Life Instructions**



Recommendation	Number on drawing	Component / Material	Weight (in g)	Comment
To be depolluted	1	Cable (high current)	80 g	Used for Configuration
To be depolluted	2	Other plastic parts with brominated flame retardants	58.28 g	Used in Thermal Protector, Lead Wire, Tube, Impeller, Impeller Cap



## Product description

Manufacturer identification	Schneider Electric Industries SAS
Brand name	Schneider Electric
Product function	The main purpose of the ClimaSys CV Filterfan is to evacuate amounts of heat in a low-medium polluted environment of a enclosure with electric and electronical devices, while ensuring the IP protection degree.
Product reference	NSYCVF85M230PF
Total representative product mass	900 g
Representative product dimensions	170mm x 150mm x 62mm
Date of information release	06/2021



## Additional information

Legal information	This product family is in the scope of European Union directive 2012/19/EU on Waste Electrical and Electronic Equipment (WEEE). The product family must be disposed according to the legislation of the country. This document is intended for use by end of life recyclers or treatment facilities. It provides the basic information to assure an appropriate end of life treatment for the components and materials of the product.	
Recyclability potential	<b>64%</b>	Based on "ECO'DEEE recyclability and recoverability calculation method" (version V1, 20 Sep. 2008 presented to the French Agency for Environment and Energy Management: ADEME).

Schneider Electric Industries SAS  
Country Customer Care Center  
<http://www.schneider-electric.com/contact>  
35, rue Joseph Monier  
CS 30323  
F- 92506 Rueil Malmaison Cedex  
RCS Nanterre 954 503 439  
Capital social 896 313 776 €

[www.schneider-electric.com](http://www.schneider-electric.com)

ENVEOLI1107017

Published by Schneider Electric

© 2019 - Schneider Electric – All rights reserved

06/2021