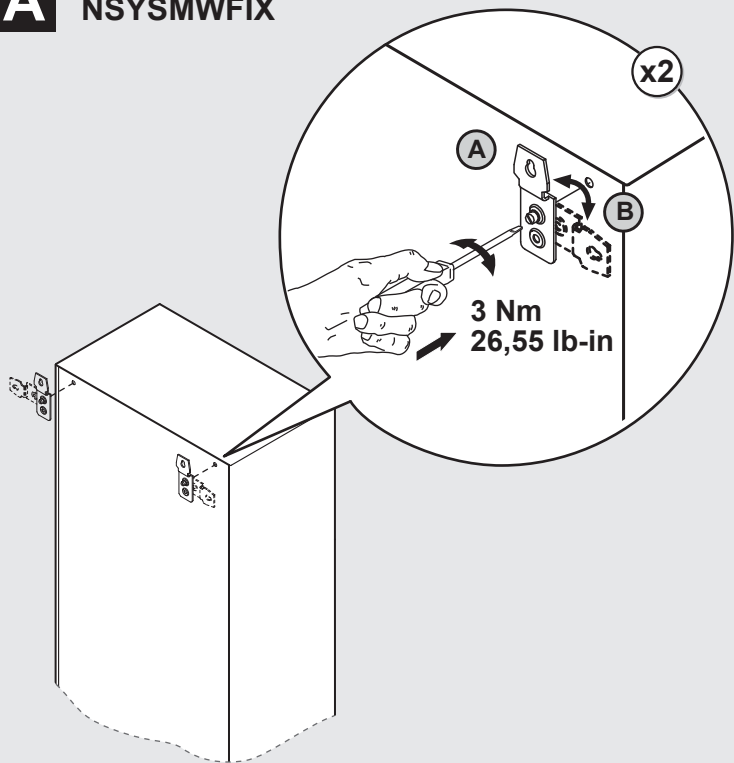
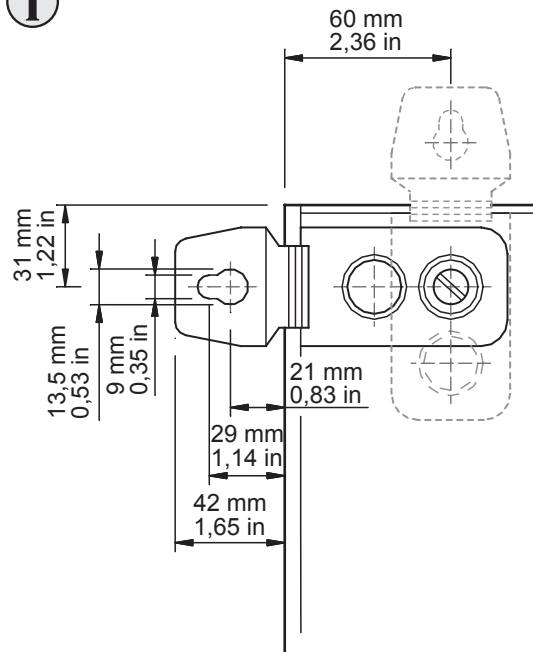



A**NSYSMWFIX****i**

Schneider
Electric

 This document has been
printed on ecological paper.

HHH7311690011-A
03/11/2010

Released for Manufacturing
Printed on 2016/06/08