

# Product End of Life Instructions

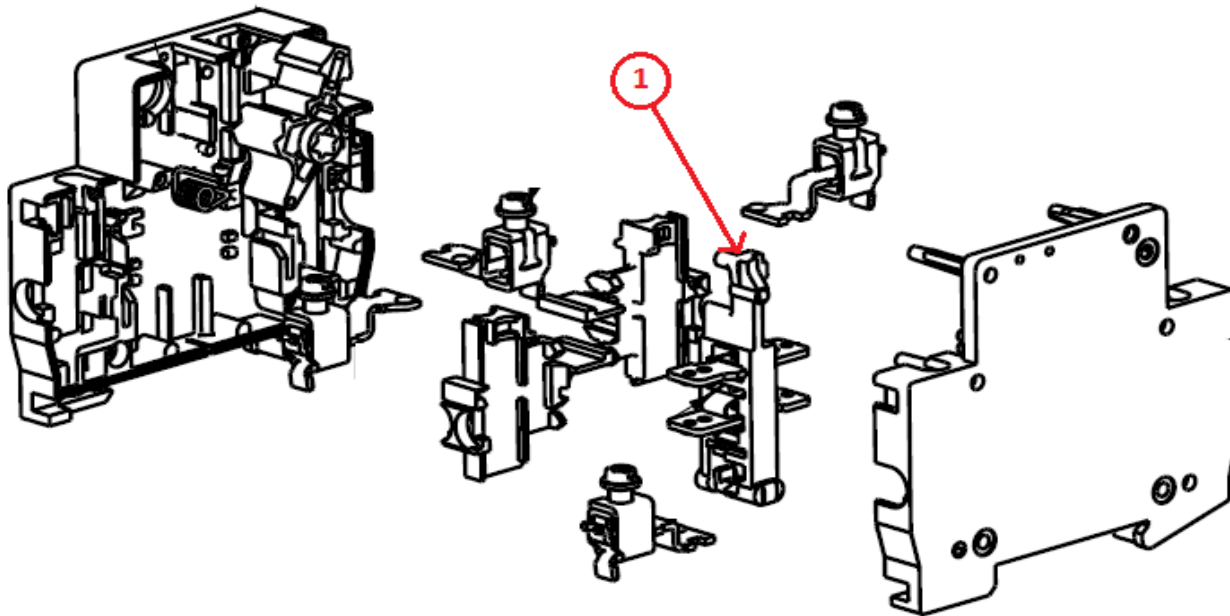
**SWITCH TI TIM 20A 2P+RED LIGHT**



## End of Life Instructions

There are several steps to treat the products at the end of life so as to recover components, materials or energy :  
Reuse Depollution Dismantling Shredding.

The components of the products that should be depolluted (according to the WEEE 2002/96/EC list) or that should be reused or dismantled so as to improve the material recovery or that lead to some hazards are listed, identified and located hereunder.



Recommendation	Number on drawing	Component / Material	Weight (in g)	Comment
To be depolluted	1	Other plastic parts with brominated flame retardants	3.05	Plastic part with brominated FR

## Product description

Manufacturer identification	Schneider Electric Industries SAS
Brand name	Schneider Electric
Product function	The main function of the 20/32 A SWITCH product is the opening and closure in charge of a circuit already protected against the overload. Provides also the severing function.
Product reference	A9S61220
Additional similar product references	A9S61220
Total representative product mass (g)	68
Representative product dimensions	77mm x 75.5mm x 18mm
Date of information release	10/2016



## Additional information

<p><b>Legal information</b></p>	<p>This product family is in the scope of European Union directive 2012/19/EU on Waste Electrical and Electronic Equipment (WEEE). The product family must be disposed according to the legislation of the country. This document is intended for use by end of life recyclers or treatment facilities. It provides the basic information to assure an appropriate end of life treatment for the components and materials of the product.</p>	
<p><b>Recyclability potential</b></p>	<p><b>32%</b></p>	<p>Based on "ECO'DEEE recyclability and recoverability calculation method" (version V1, 20 Sep. 2008 presented to the French Agency for Environment and Energy Management: ADEME).</p>

Schneider Electric Industries SAS

Catherine Colin

Country Customer Care Center" "<http://www2.schneider-electric.com/sites/corporate/en/support/operations/local-operations/local-operations.page>

+33 4 76 82 23 89

35, rue Joseph Monier

CS 30323

F- 92506 Rueil Malmaison Cedex

RCS Nanterre 954 503 439

Capital social 896 313 776 €

[www.schneider-electric.com](http://www.schneider-electric.com)

Published by Schneider Electric

ENVEOLI1103010\_V1

© 2016 - Schneider Electric – All rights reserved

10/2016