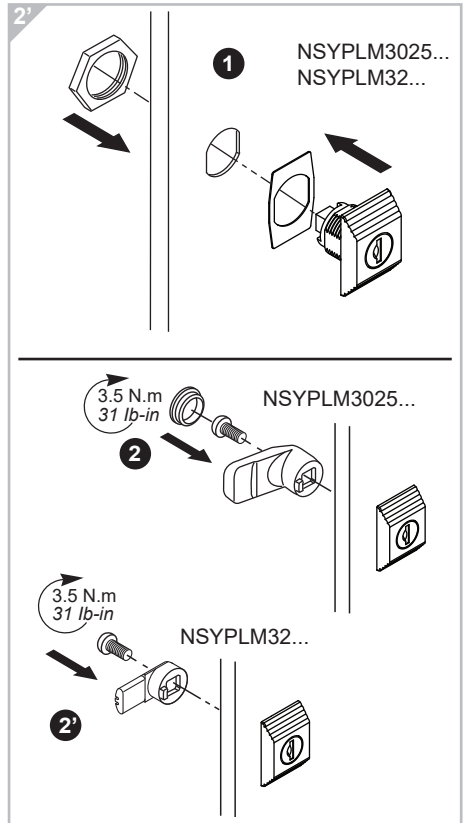
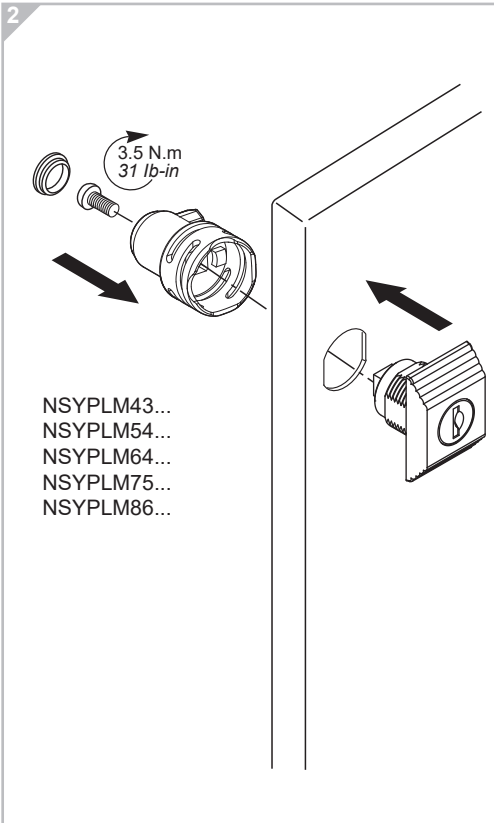
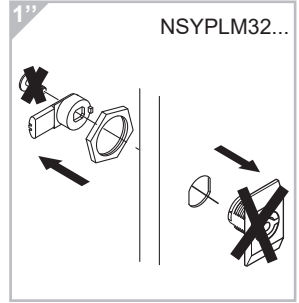
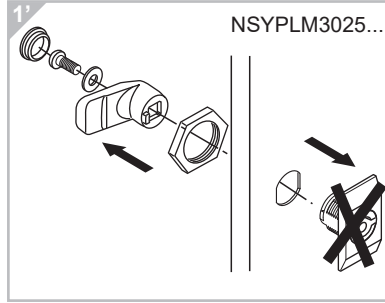
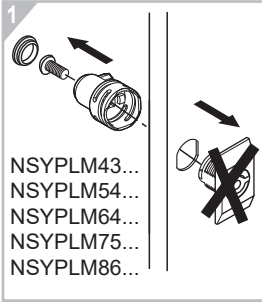


NSTL220PLM, NSTL405PLM,



Schneider
Electric

Schneider Electric Industries SAS
35, rue Joseph Monier
CS 30323
F - 92506 Rueil Malmaison Cedex

www.schneider-electric.com

7310300021-01

Ce produit doit être installé, raccordé et utilisé en respectant les normes et/ou les règlements d'installation en vigueur.

As per the specifications and designations of the product, the characteristics and dimensions of the product may change from time to time, always ask for confirmation of the information given in this publication.

Released under the Schneider Electric logo
This product must be installed, connected and used in compliance with prevailing standards
As per the specifications and designations of the product, the characteristics and dimensions of the product may change from time to time, always ask for confirmation of the information given in this publication.