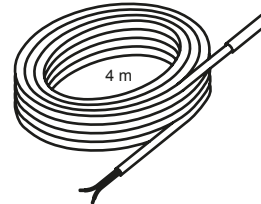
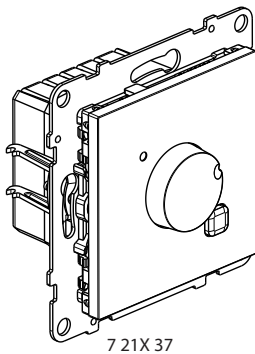


Suno™
THERMOSTAT (FLOOR HEATING)
German standard

Cat. No(s): 7 21X 37



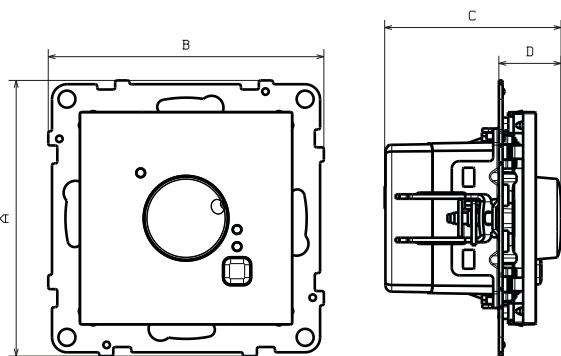
1. USE

Control device for programming and regulating heating units for floor heating systems.
 Delivered with sonde (4 m).
 With N/O free contact and LED.
 Mechanisms to be equipped with finishes
 Screw or claw fixing.

2. RANGE

Description	White	Ivory	Aluminium	Black
Floor heating thermostat	7 211 37	7 212 37	7 213 37	7 214 37

3. DIMENSIONS (mm)

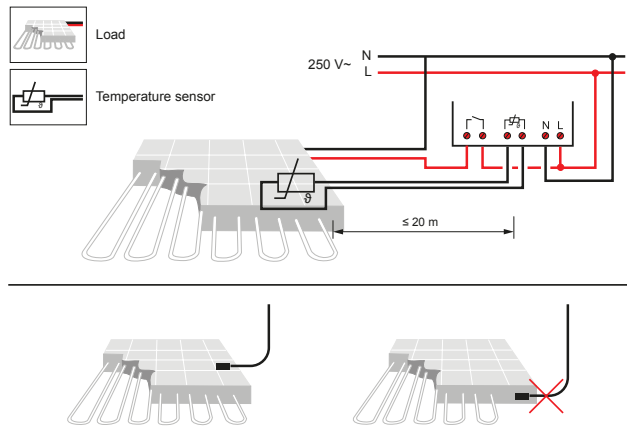


References	A	B	C	D
7 21X 37	72,9	72,9	46,65	16,45

4. CONNECTION

Number of terminals: 6
 Type of terminals: with screws
 Terminal capacity:
 2 x 1.5 mm² flexible or rigid cable
 Stripping length:
 6 mm
 Tool:
 flat screwdriver 3.5 mm

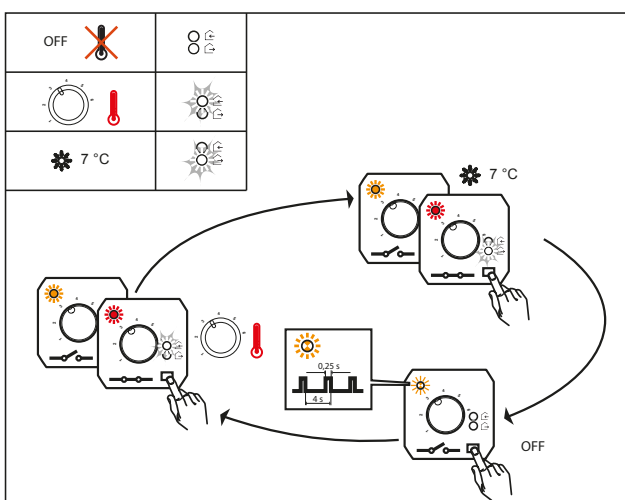
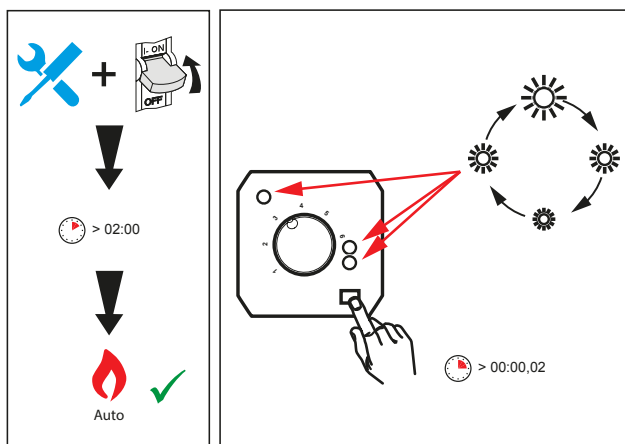
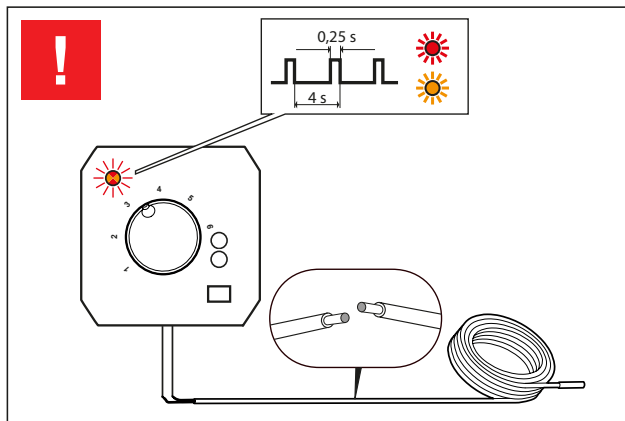
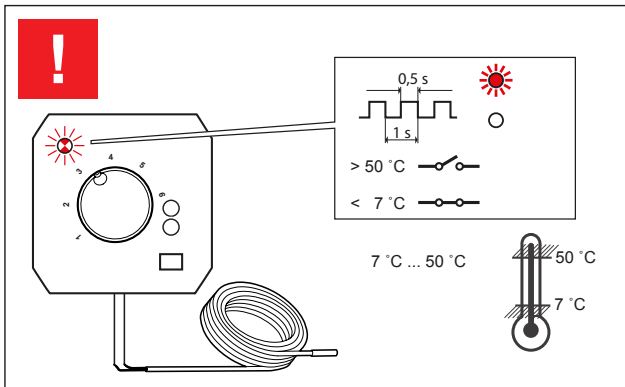
5. WIRING



6. FUNCTION

The thermostat (heating/cooling) is equipped with a temperature sensor and provides a changover relay switched depending on the ambient temperature.
 The regulation is ensured by an algorithm with a pulse-width controlled output (0...100% thus ensuring a minimal temperature variation relative to the ambient temperature
 Setting range from room temperature: from 7°C to 40°C
 Setting range of the floor temperature:
 - max: from 25°C to 50°C
 - min: from 7°C to 30°C

■ 6.1 Setting the room temperature (internal sensor)



The external probe is used to limit the temperature in the floor.

- 3 positions for adjusting the floor temperature:
- choice of a maximum temperature (+25°C, +50°C)
 - choice of a minimum temperature (+7°C, +30°C)
 - no temperature measurement (OFF)

Example: Ambient temperature set to 14°C with a protective low temperature set to 10°C, the relay will be switched on as soon as one of the two temperatures will be lower than the respective directions.

7. TECHNICAL CHARACTERISTICS

■ 7.1 Mechanical characteristics

Protection against solid bodies and liquids: IP 40
Protection against impacts: IK 02

■ 7.2 Material characteristics

Polycarbonate

- Colours:
- White RAL 9003
 - Ivory RAL 1013
 - Painted aluminium (C010B)
 - Painted black (C014A)

- Material:
- Thermostat cover plate: ABS
 - Mechanism casing: PC
 - Support: PC grey RAL 7037 + metal
 - Claws: Steel

Halogen free
UV resistant

Self-extinguishing:
+ 850° C / 30 s for insulating parts holding live parts in place
+ 650° C / 30 s for other parts made of insulating materials.

■ 7.3 Electrical characteristics

Voltage: 250 V~
Current: 16 A
Frequency: 50/60 Hz

■ 7.4 Climatic characteristics

Storage and usage temperature: - 10° C to + 70° C
Cooling temperature: - 0° C to + 40° C

8. CLEANING

Surface cleaning with a cloth.

Do not use: acetone, tar remover, trichloroethylene.

Maintenance with the following products:
Hexane (EN 60669-1), Methylated spirit, Soapy water, Diluted ammonia, pure bleach diluted to 10%, Window-cleaning products, pre-impregnated wipes.

Caution: A preliminary test should be carried out if other specific cleaning products are to be used

9. STANDARDS AND APPROVALS

Compliance with standards of installation and manufacturing.
Refer to e-catalogue.