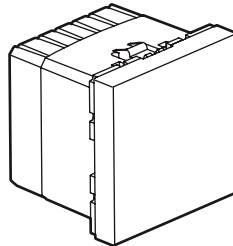


Lexic/Mosaic™ Sonde for modular thermostat

Cat. No.: 767 23



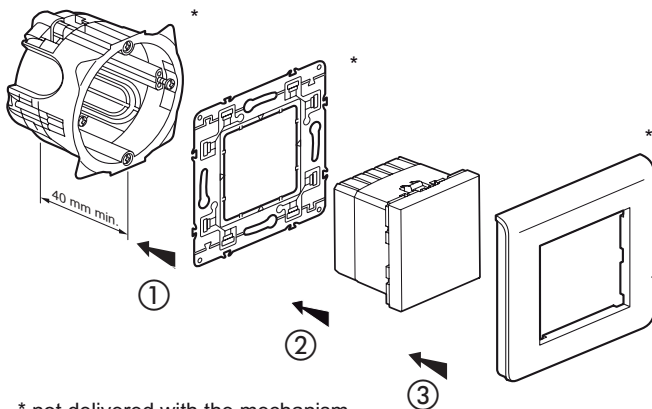
1. USE

Temperature sensor for modular thermostat (Cat. No. 038 40).

2. RANGE

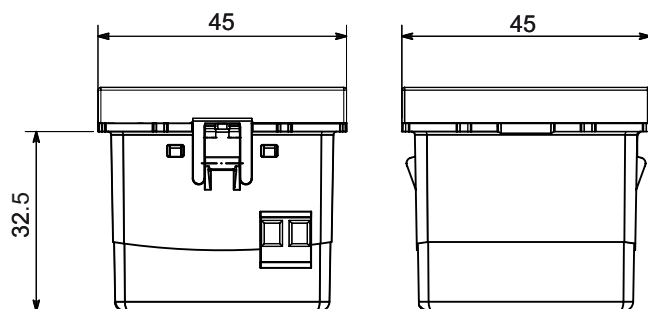
Designation	Cat. No.	Number of modules	Connection mode	Weight (g)	Characteristics
 Sonde	767 23	2	with screw	25	250 V~ 50/60 Hz

3. PREPARATION



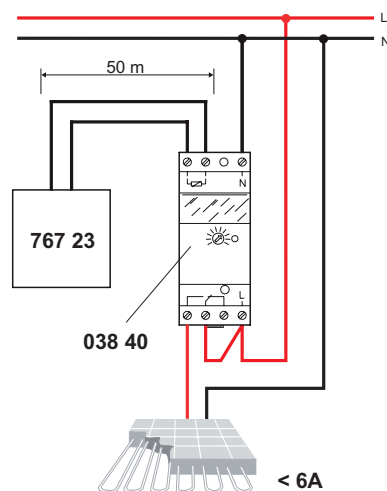
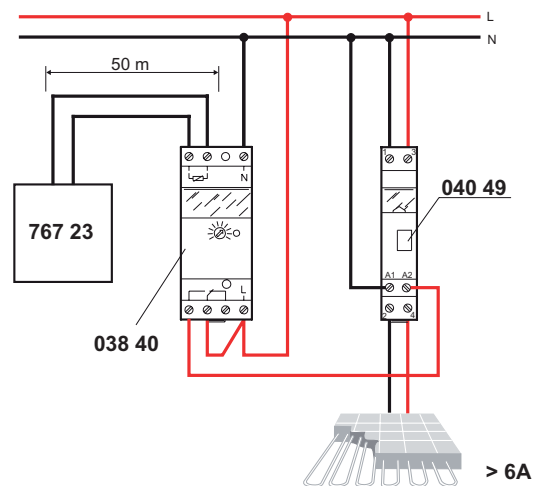
* not delivered with the mechanism

4. OVERALL DIMENSIONS



5. CONNECTION

Number of terminals: 2
Type of terminals: with screw
Length of stripping: 6 mm
Capacities of the terminals: 1 x 2.5 mm² flexible or rigid
Tool: flat screwdriver 3.5 mm



Sonde for modular thermostat

6. FUNCTION

The sonde uses a PTC (resistor with positive temperature coefficient) for temperature measurement. The one used has a value of 1000 Ω ($\pm 10 \Omega$) at 25° C and a temperature coefficient of 0.75 %/K (see table).

° C	Resistance (Ω)
- 20	684
- 10	747
0	815
10	886
20	961
25	1000
30	1040
40	1122
50	1209

The sonde measures the temperature of the room it is installed in. It can be flush-mounted in a Batibox within the Mosaic system; it should be positioned 1.5 m above the floor. The distance between the thermostat and the sonde can max. be 50 m.

7. GENERAL CHARACTERISTICS

7.1 Mechanical characteristics

Impact tests: IK 04

Penetration of solid bodies/liquid: IP 41 (C15-100)

7.2 Material characteristics

Polycarbonate

7.3 Electrical characteristics

Glow wire test (IEC 60 695-2-10, -2-11 : 650° C / 30 s)

Voltage: 230 VAC

Frequency: 50/60 Hz

7.4 Climatic characteristics

Storage temperature: - 10° C to + 60° C

Ambient temperature: - 5° C to + 50° C