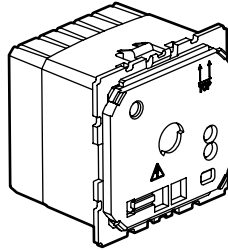


Sonde for thermostat Céliane

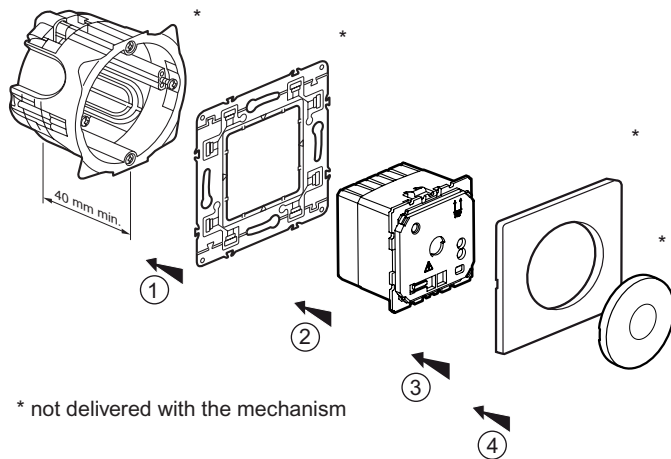
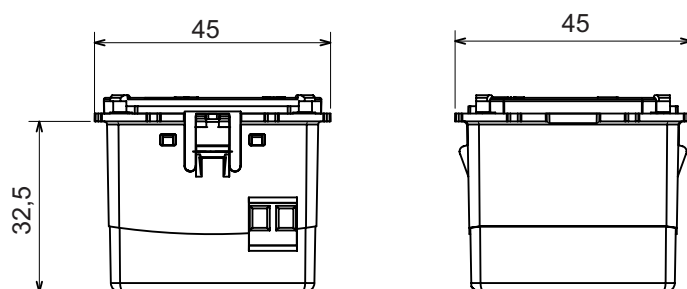
Catalogue number(s) : 674 08


1. USE

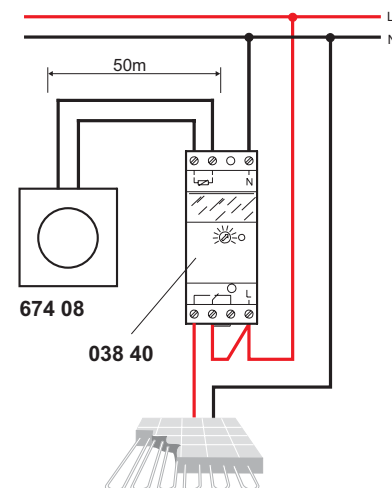
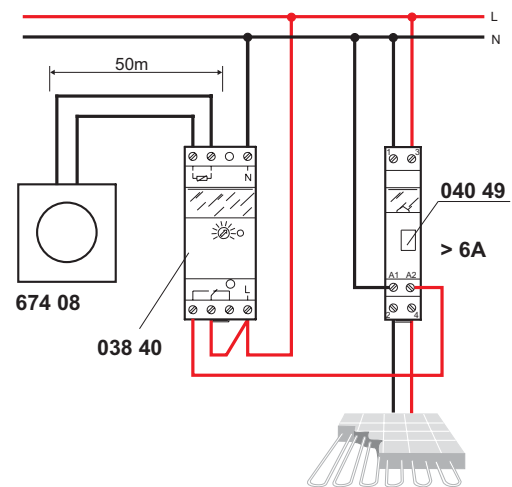
Temperature sensor for modular Thermostat. (ref. 038 40)

2. RANGE

	Designation	Catalogue number	Number of modules	Connection mode	Weight(g)	Characteristics
	Sonde	674 08	2	with screw	50g	230 V.- 50/60Hz

3. PREPARATION

4. OVERALL DIMENSIONS

5. CONNECTION

Number of terminals	2
Type of terminals	with screw
Length of stripping	6 mm
Capacities of the terminals	1 x 2,5 mm ² flexible or rigid
Tool	Flat screwdriver 3,5 mm



6. FUNCTION

The sonde uses a PTC (resistor with positive temperature coefficient) for temperature measurement. The one used has a value of 1000 Ω ($\pm 10\Omega$) at 25°C and a temperature coefficient of 0,75 %/K (see table)

The sonde measures the temperature of the room it is installed. It can be mounted in a Batibox or flush within the Céliane system; it should be positioned 1,7 m above the floor. The distance between the thermostat and the sonde can max. be 50 m.

°C	Resistance (Ω)
- 20	684
- 10	747
0	815
10	886
20	961
25	1000
30	1040
40	1122
50	1209

7. GENERAL CHARACTERISTICS

7.1 Mechanical characteristics

Impact tests : IK 04
Penetration of body solides/liquides : IP 41 (C15-100)

7.2 Material characteristics

Polycarbonate

7.3 Electrical characteristics

Glow wire test (IEC 60 695-2-10, -2-11 : 650°C/30 s
Voltage : 230 VAC
Frequency : 50/60 Hz

7.4 Climatic characteristics

Storage temperature : -10°C à +60°C
Ambient temperature : -5°C à +50°C

8. MAINTENANCE

Without maintenance

9. CONFORMITY - APPROVALS

Approvals in progress : NF - CEBEC - BBJ - EZU