

EMS CX³ - Multifunction Measuring module for Current Transformers (CT)

Cat. N°: 4 149 23



Contents	Pages
1. Description - Use	1
2. Range	1
3. Overall dimensions	1
4. Preparation - Connection	2
5. General characteristics	4
6. System architectures	10
6.1 Stand-alone	10
6.1.1 with local addressing	10
6.1.2 with remote addressing	11
6.2 Supervised	12
6.2.1 with local addressing	12
6.2.2 with remote addressing	14
7. Compliance and approvals	16

1. DESCRIPTION - USE

. Module dedicated to Energy Management System (EMS CX³) use.
Multifunction Measuring module
Measures the main electrical data of a single-phase or three-phase network.
The insertion is done by any kind 5A at the secondary measuring current transformers (CT).

Symbol:



2. RANGE

. Cat. n° 4 149 23: Multifunction measuring module for 5A at the secondary measuring current transformers (CT). Not delivered with the module.

Width:

. 1 module. 17,8 mm width.

Rated current:

. Rated current, In: 5 A (via external current transformer x/5 A)
. Max. current, I_{max}: 1,2 In

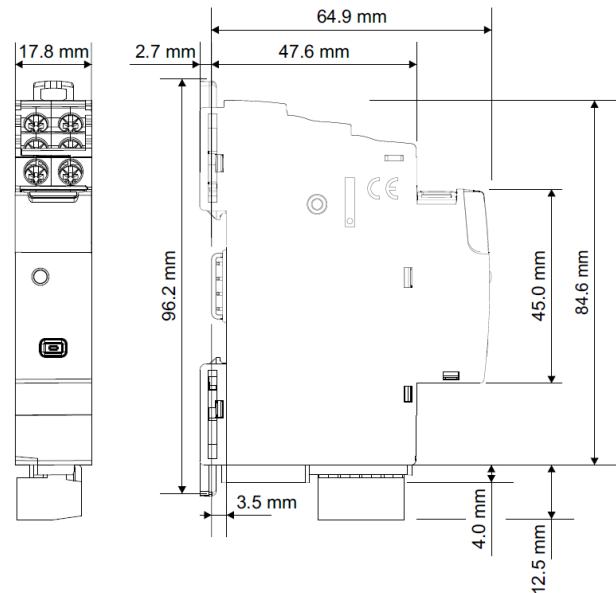
Insertion rated voltages:

. Un: 110÷500 V~ (phase/phase)
. Un: 65÷290 V~ (phase/neutral)

Rated frequency:

. fn: 50/60 Hz
. Admitted variation:
45 ÷ 55 Hz (fn 50 Hz)
55 ÷ 65 Hz (fn 60 Hz)

3. OVERALL DIMENSIONS

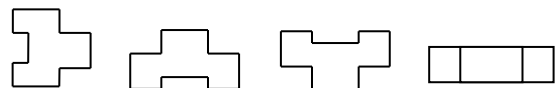


Fixing:

. On symmetric rail EN/IEC 60715 or DIN 35 rail

Operating positions:

. Vertical, Horizontal, Upside down, On the side



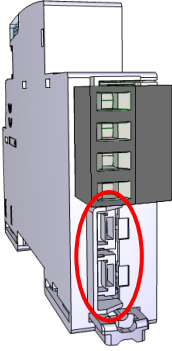
EMS CX³ - Multifunction Measuring module for Current Transformers (CT)

Cat. N°: 4 149 23

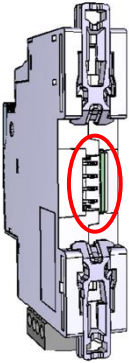
4. PREPARATION - CONNECTION

Power Supply:

- . Mandatory in 12 VDC via the specific Power supply module Cat n°4 149 45
- . Two ways:
 - via specific communication patch cords (cat. nos 4 149 07/08/09) to connect at the downstream through dedicated ports



- via specific communication rails (cat. nos 4 149 01/02/03) to connect at the rear through dedicated connectors



Screw terminals:

- . Terminal depth: 8 mm.
- . Stripping length: 8 mm

Screw head:

- . Voltage measurement terminal block (black removable block at the bottom of the module): screw slotted.
- . CTs terminals: Mixed, slotted and Pozidriv n°1 (UNI7596 type Z1).

Recommended tightening torque:

- . CTs terminals: 1 Nm.
- . Voltage measurement terminals (black removable block at the bottom of the module): (V₁, V₂, V₃, N): 0,5 Nm.

Recommended tools:

- . CT's terminals: Pozidriv n°1 or flat screwdriver 4 mm
- . Voltage measurement terminals (black removable block at the bottom of the module): flat screwdriver 3,5 mm
- . For fixing: flat screwdriver 5.5 mm (6 mm maximum).

4. PREPARATION - CONNECTION (continued)

Conductor type:

- . CT's terminals:

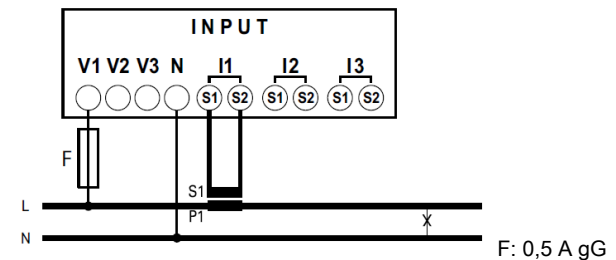
	Copper cable	
	Without ferrule	With ferrule
Rigid Cable	1 x 0,5 mm ² to 2,5 mm ² 2 x 1,5 mm ²	-
Flexible Cable	1 x 0,5 mm ² to 2,5 mm ² 2 x 1,5 mm ²	1 x 0,5 mm ² to 2,5 mm ² 2 x 1,5 mm ²

- . Voltage measurement terminals

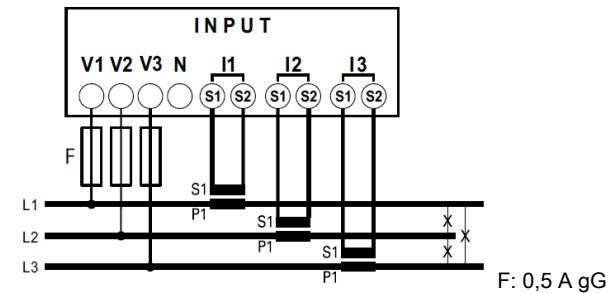
	Copper cable	
	Without ferrule	With ferrule
Rigid Cable	1 x 0,5 mm ² to 2,5 mm ² 2 x 1,5 mm ²	-
Flexible Cable	1 x 0,5 mm ² to 2,5 mm ² 2 x 1,5 mm ²	1 x 0,5 mm ² to 2,5 mm ² 2 x 1,5 mm ²

Wiring diagrams:

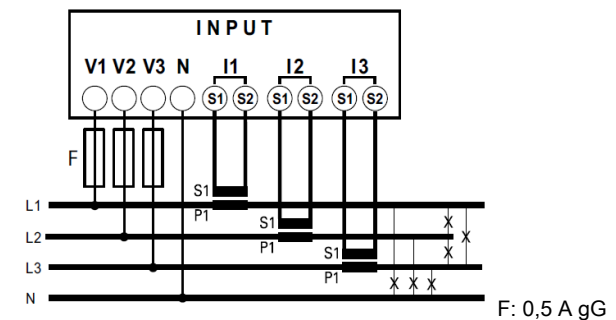
- . single phase network (1N-1E):



- . 3 wires three-phase network, 3 sensors (3-3E):



- . 4 wires three-phase network. 3 sensors (3N-3E):



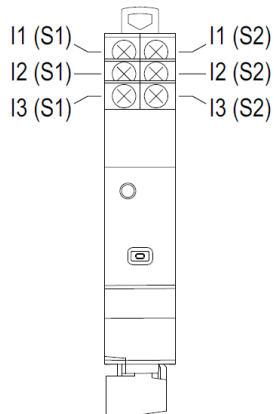
EMS CX³ - Multifunction Measuring module for Current Transformers (CT)

Cat. N°: 4 149 23

4. PREPARATION –CONNECTION (continued)

Wiring diagrams (continued):

. CT's terminal position



Module configuration:

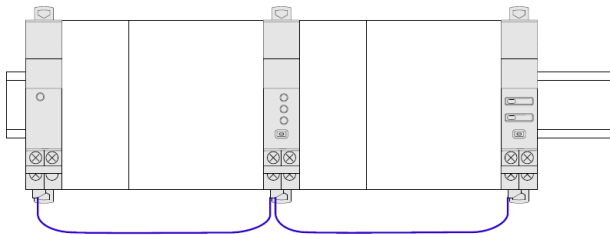
- . For this device, following configurations are available:
 - current versus
 - insertion type (network with or without neutral conductor) [see § wiring diagrams]
 - transformation ratio of external CT's
- . Configurations are made by EMS CX³ configuration software or by the EMS CX³ mini configurator module (cat nos 4 149 36/37)

Data connection (EMS CX³ modules inter-connection):

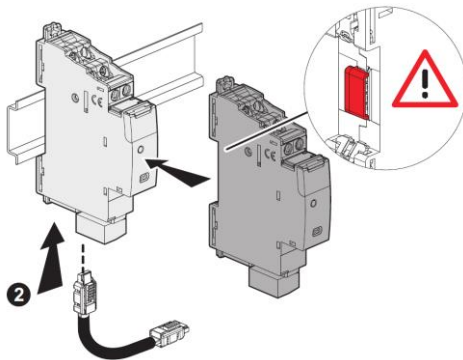
. Via specific communication patch cords (cat. nos 4 149 07/08/09)



Allow data transmission between the different EMS CX³ modules. This type of connection is recommended when there are few EMS CX³ modules, distributed all over the enclosure.



Implementing: with this configuration, the plastic protection cover of the backside communication ports on the EMS CX³ module must be keep on.

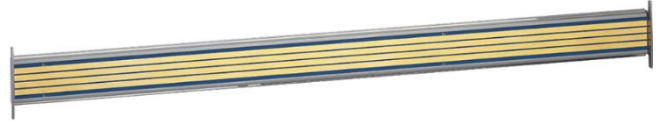


4. PREPARATION –CONNECTION (continued)

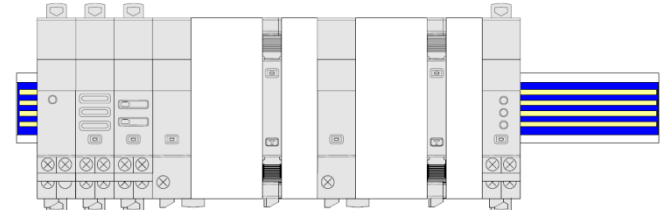
Data connection (EMS CX³ modules inter-connection)
(continued):

Data connection (EMS CX³ modules inter-connection)
(continued):

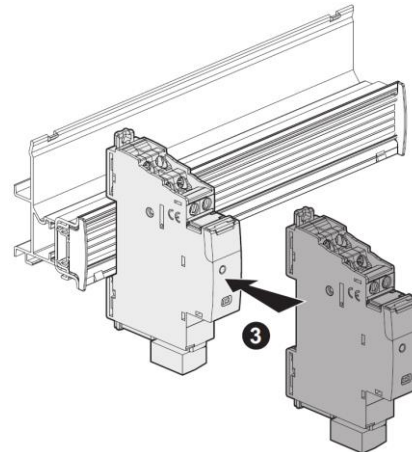
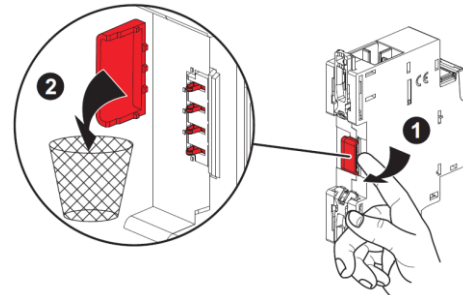
. Via specific communication rails (cat. nos 4 149 01/02/03).



. Allow data transmission between the different EMS CX³ modules. This type of connection is recommended when there are several EMS CX³ modules on the same DIN row.



Implementing: with this configuration, the plastic protection cover of the backside communication ports on the EMS CX³ module must be removed.



EMS CX³ - Multifunction Measuring module for Current Transformers (CT)

Cat. N°: 4 149 23

4. PREPARATION –CONNECTION (continued)

Data connection (EMS CX³ modules inter-connection)

(continued):

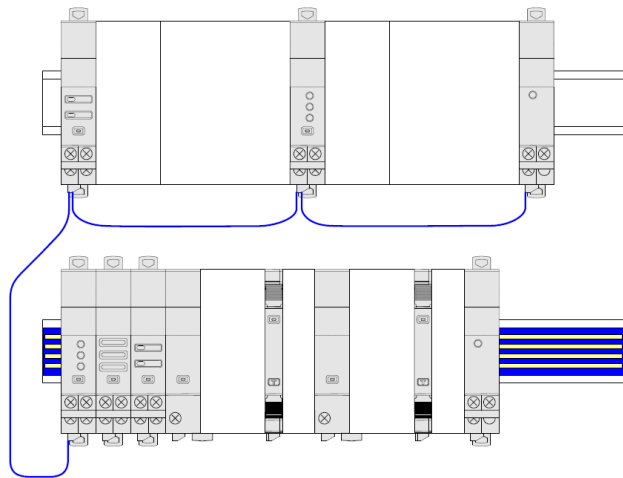
. Via a mix between specific communication patch cords and communication rails in order to create a link between several rows

Two situations:

- Individually connected with communication rails.
The communication patch cord allows to connect two rows.

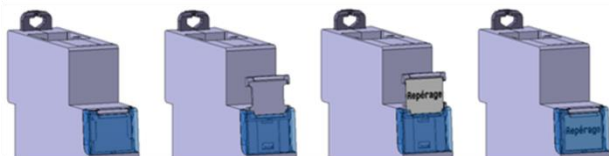


- Individually connected with communication patch cords & communication rail.
The communication patch cords allow to connect EMS CX³ modules on a row and to connect two rows.



Labelling:

. Circuit identification by way of a label inserted in the label holder situated on the front of the product.



5. GENERAL CHARACTERISTICS

Front face marking:

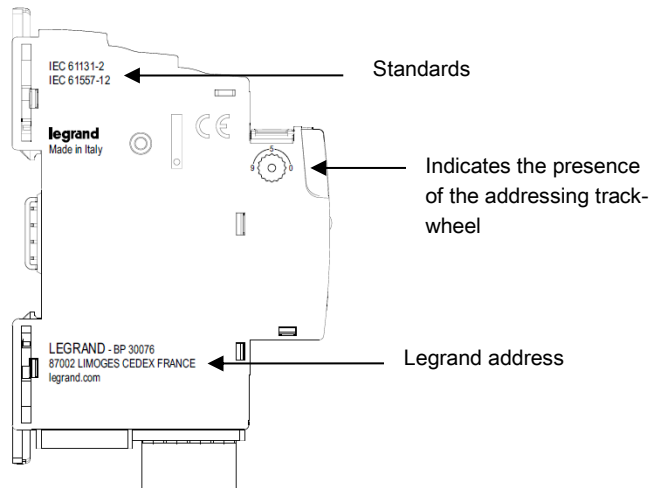
. By permanent ink pad printing (red line) and laser marking



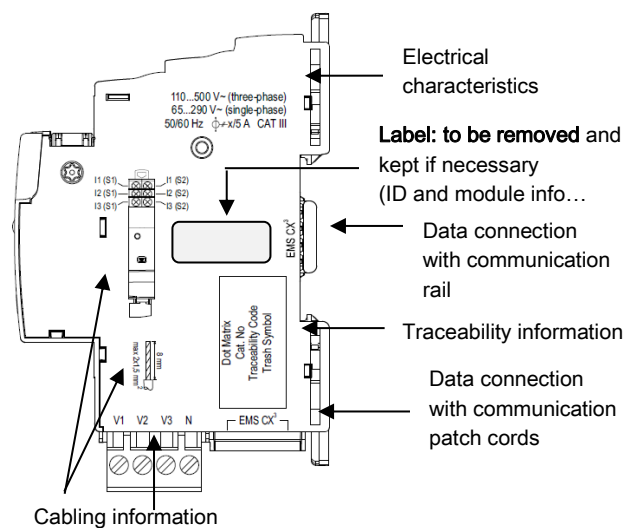
Lateral side marking:

. By laser.

left side: Standard and programming information



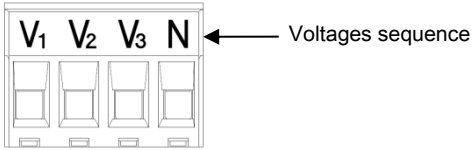
right side: cabling and traceability information



5. GENERAL CHARACTERISTICS *(continued)*

Voltage measurement terminal block marking:

. By permanent ink pad printing.



Measurement resolution

. Automatic adjustment of the resolution for the decimal digits and for the as a function of the transformation ratio of the external current transformers (kTA¹)

¹ kTA = external CTs ratio (ex. 800A / 5A, kTA = 160).

. Refresh time: 1,1 sec.

Measuring sensors operating range:

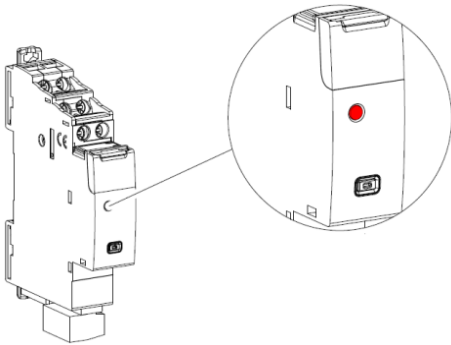
. Max CTs primary current: 32 kA

. Max. external CTs ratio kTA = 6400

Measuring LED:

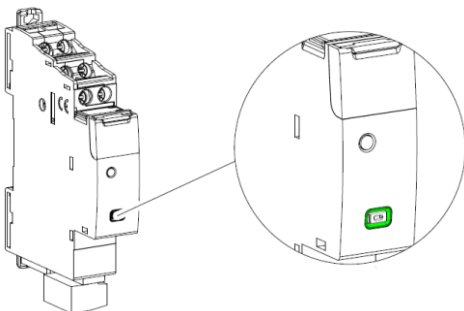
. The device is equipped with a measuring LED; it gives information that the device is counting an energy consumption:

- blinking red → 0,2 Wh per light pulse



Multi-Functions button:

. Front face button as several functions:






. Give information about the operating state on the module

5. GENERAL CHARACTERISTICS *(continued)*

Multi-Functions button *(continued)*:

Possible states:

Led colour	State	Meaning
 red	Slow blinking	Error (e.g. addressing error)
	Fast blinking	No function
	Steady <i>(pressing the multifunction button longer than 10 sec.)</i>	Total reset [any firmware updates are preserved]
 green	Slow blinking	System process is running. Wait until the Led turns steady
	Fast blinking <i>(pressing the multifunction button for 5 sec.)</i>	put in "Stand-by" the EMS CX ³ module (no remote action and communication available)
	Steady	System OK, connection is running
 orange	Slow blinking	Creation of a link with "Link Functionality" procedure <i>(see next §)</i>
	Fast blinking	Device's firmware update in progress
	Steady	No function

5. GENERAL CHARACTERISTICS *(continued)*

Link Functionality:

. This function allows you to link two EMS CX³ modules to create automatic actions that, once programmed, can run independently without a connection to a manager is needed.

The basic rule is the link between an event (circuit breaker that trip, a threshold exceeded, etc.) and an action accordingly (signalling, opening of a circuit by motorized control or contactor, etc.).

Possible associations are:

Event generator	Action module		
	Command: 4 149 32	State + Command: 4 149 31	State: 4 149 30
Measure: 4 149 18/19/20/21/ 22/23/24/25/27	✓	✓	✓ Only with the module configured (locally or remotely) as shown: 
State: 4 149 29/30	✓	✓	✗ Simply configure the module (locally or remotely) as "Slave"
State + Command: 4 149 31	✓	✓	✗ Simply configure the module (locally or remotely) as "Slave"

Note:

- association can only be of type 1 to 1 (1 event and 1 action).
- modules already associated cannot be used for other associations.
- all the configuring procedure will be done with the Configuration Software (available online for free). *[For more details refer to the Installation Manual of EMS CX³ Configuration software]*

5. GENERAL CHARACTERISTICS *(continued)*

Link Functionality *(continued)*:

Modules compatible with "Link Functionality" feature: firmware versions and production date:

Cat n°	Firmware version	Production date indicated on the label sticked on the side of the module
4 149 18	all firmware versions	any production date
4 149 19	ver. ≥ 2.0.1	date ≥ 18W29
4 149 20	ver. ≥ 2.0.1	date ≥ 18W49
4 149 21	all firmware versions	any production date
4 149 22	all firmware versions	any production date
4 149 23	ver. ≥ 2.0.1	date ≥ 18W49
4 149 24	all firmware versions	any production date
4 149 25	all firmware versions	any production date
4 149 27	all firmware versions	any production date
4 149 29	ver. ≥ 2.0.1	date ≥ 18W49
4 149 30	ver. ≥ 2.0.2	date ≥ 18W32
4 149 31	ver. ≥ 2.0.6	date ≥ 18W45
4 149 32	ver. ≥ 3.0.2	date ≥ 18W39
4 149 36	ver. ≥ 2.0.4	date ≥ 18W38
4 149 37	ver. ≥ 2.0.4	date ≥ 18W43
4 149 40	ver. ≥ 3.0.8	date ≥ 18W34

5. GENERAL CHARACTERISTICS *(continued)*

Measured quantities and Accuracy class:

- . Current (accuracy 0,5):
phase: I₁, I₂, I₃;
neutral: I_N.
- . Voltage (accuracy 0,5):
phase/phase: U₁₂, U₂₃, U₃₁;
phase/neutral: V_{1N}, V_{2N}, V_{3N}.
- . Frequency (accuracy 0,1)
- . Power:
instantaneous active total power, phase (accuracy 0,5);
instantaneous reactive total power, phase (accuracy 2);
instantaneous apparent total power, phase (accuracy 0,5);
- . Power factor (accuracy 1).
- . Energy:
total and partial active energy, positive and negative
(accuracy 0,5);
total and partial reactive energy, positive and negative
(accuracy 2).
- . THD (accuracy 5):
voltages THD: V₁, V₂, V₃ o U₁₂, U₂₃, U₃₁;
currents THD: I₁, I₂, I₃, I_N.
- . Harmonic analysis:
Voltages: odd harmonics up to 15th
Currents: odd harmonics up to 15th

Note: *measurement accuracy indicated refers to the measurement module only.*

To obtain Total measurement accuracy, it is necessary to consider errors entangled by CT's and by the wiring to the secondary of the transformers themselves.

Insulation voltage:

- . U_i = 400 V

Impulse withstand voltage U_{imp}:

- . EMS ports / Voltages input terminals:
wave 1,2 / 50 μs: 6 kV
alternate current 50 Hz / 1 min.: 3 kV
- . EMS ports / Current sensors input terminals:
wave 1,2 / 50 μs: 6 kV
alternate current 50 Hz / 1 min.: 3 kV

Pollution degree:

- . 2 according to IEC/EN 60898-1.

5. GENERAL CHARACTERISTICS *(continued)*

Overvoltage category :

- . III

Dielectric strength:

- . 2500 V

Plastic material:

- . Self-extinguishing polycarbonate.
- . Heat and fire resistant according to IEC/EN 60695-2-12, glow-wire test at 960°C.
- . Classification UL 94 / IECEN 60695-11-10: V1

Ambient operating temperature:

- . Min. = -25°C. Max. = +70°C

Ambient storage temperature:

- . Min. = -40°C. Max. = +70°C

Protection Index:

- . Protection index of terminals against direct contacts: IP2X (IEC/EN 60529).
- . Protection index of terminals against solid and liquid bodies (wired device): IP 20 (IEC/EN 60529).
- . Protection index of the front face against solid and liquid bodies: IP 40 (IEC/EN 60529).
- . Class II, front panel with faceplate.

Average weight per device:

- . 0,070 kg

Volume when packed:

- . 0,21 dm³

Consumption:

- . Values at 12 VDC
32,6 mA
0,391 W

5. GENERAL CHARACTERISTICS *(continued)*

Load shedding Function:

- . Allows to automatically carry out load shedding in case of power demand when a circuit exceeds a threshold.
- . Function is implementable using together following EMS CX³ modules:
 - Universal Control module (cat. no 4 149 32) with DIP-switches on 0000 position (see § "Module configuration")
 - Measurement modules (cat. nos 4 149 18/19/20/21/22/23/24/25/27)

To set the different parameters it is necessary to use the EMS Configuration software (available online for free)

. Procedure:

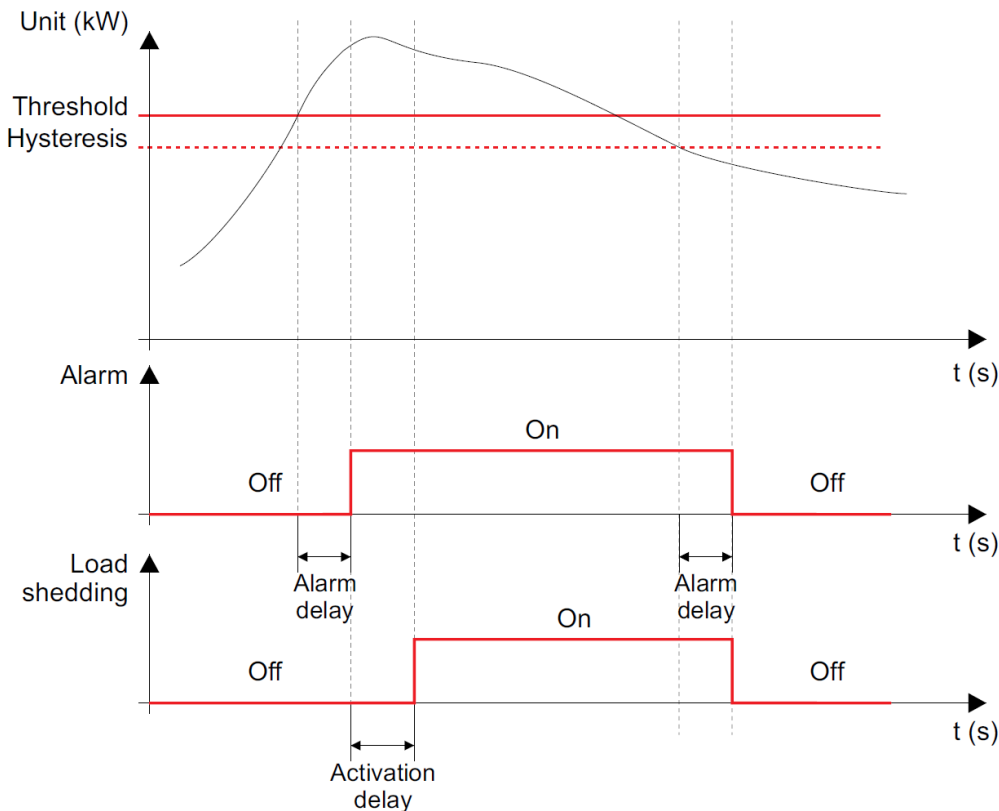
1. Assign the same address to the EMS CX³ modules (Universal control and Measurement modules) which require to be linked
2. Connect a computer to the Modbus/EMS CX³ interface or to the Mini configuration module (according to the system architecture type; see § "System architectures")
3. In the EMS Configuration software pages adjust the parameters:

. In the dedicated page of the Measurement module:

- **Threshold:** value of Total active power (kW) above which procedure starts. *(default value 100 kW)*
- **Hysteresis:** value expressed in % of the threshold under which the alarm is over and the disconnected loads are restored. *(default value 5%, max value 100%)*
- **Alarm delay (s)** - *(default value 1 sec., max. value 30000 sec):*
 during the activation of an alarm: is the waiting time between the threshold point and the alarm on the EMS bus
 during the de-activation of an alarm: is the waiting time between the hysteresis point and the alarm is deactivation on the EMS bus

. In the dedicated page of the Universal control module:

- **Relay normal state:** the rest position of the relay; normally open (NO) or normally closed (NC).
- **Relay activation:** impulsive or maintained
- **Relay activation time (s):** used for the impulsive work method only; represents the time in which the relay remains in the working position. *(default value 1 sec., max. value 6000 sec):*
- **Activation delay (s):** waiting time between the alarm on the EMS bus and the action done by the universal control module *(default value 0 sec, max. value 6000 sec):*



6. SYSTEM ARCHITECTURES

The EMS CX³ is a polyvalent system and, according to the needs of the customer, can be set up and/or used as “Stand-alone” or “Supervised” system. Based on this choice the configuration and addressing methods are different.

Four possible architectures are provided:

6.1 Stand-alone system

6.1.1 with local addressing (through the track wheel)

6.1.2 with remote addressing (through a computer)

6.2 Supervised (Computer Supervisory System)

6.2.1 with local addressing

6.2.2 with remote addressing

6.1 Stand-alone system

. **Stand-alone** = autonomous system. To be used by the end-user if it is not necessary to have a computer for the supervision outside the envelope. Everything can be managed on site.

6.1.1 Stand-alone system with local addressing (through the track wheel)

Local addressing advantages:

- No configuration software needed to set-up the installation
- **It is not necessary to use a computer to manage settings** (configurations, test, ...) and to use the system (visualize and be alerted, ...). Everything can be done through the Mini configuration module (local display, cat. no 4 149 36/37). [Refer to the technical sheet dedicated to this module for details].
- No communication Interfaces or gateways are required.
- Installation can be done without the intervention of a System Integrator

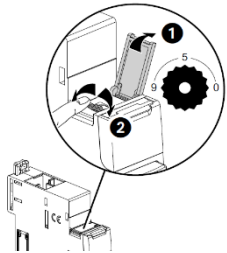
Programming procedure:

. For EMS CX³ modules which need some: mandatory through the lateral DIP-switches of each EMS CX³ module (see § "Module configuration")

Addressing procedure:

. For all EMS CX³ modules: mandatory through the track wheel located on the top upper face of each EMS CX³ modules

. Marked from 0 to 9 in order to locally define the Modbus address of the EMS CX³ modules

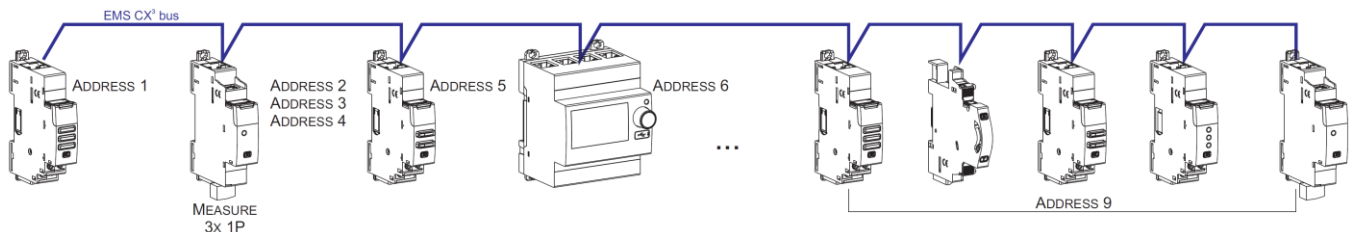


Note for Measure Module “3x single phase”:

This module is to be consider as 3 modules with 3 different Modbus Address. The module takes automatically the two addresses immediately following to the programmed one (e.g. Programmed address = 12, Addresses of the module 12, 13, 14)

Consequences of the local addressing mode (through the track wheel):

- . Each device of the system must be addressed.
- . Addresses available: from 1 to 9
- . Address 0 not permitted
- . It is possible to assign to several devices the same address with the purpose of grouping different functions, **because they are related to the same electrical circuit**. For example, it is possible to assign the same address to a signalling auxiliary module (cat. no 4 149 29), a universal control module (cat. no 4 149 32), a measuring module, and so on. In this way on the EMS CX³ mini configuration module (local display) the grouped function will be displayed as a unique “device” with all grouped functions. [Refer to the schemes hereunder]



Note for the mini configuration module (local display)

- . It is possible to assign it the same address as another EMS CX³ through the programming menu of the device
- . The mini configuration module can be placed everywhere in the EMS CX³ bus

6. SYSTEM ARCHITECTURES

6.1 Stand-alone system *(continued)*

6.1.2 Stand-alone system with remote addressing (through a computer)

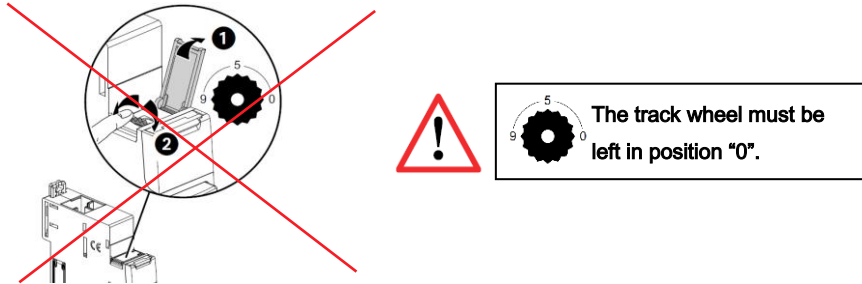
Remote addressing advantages:

- Whole configuration (addresses and functions) can be set up through the EMS Configuration software
- Configuration software available for free
- **Automatic detection of the EMS CX³ modules** installed in the system (characteristics, functions, configuration...)
- **Increased settings possibilities: load shedding function**
- **Increased addressing: up to 30 Modbus addresses in a system**

Programming procedure:

. For EMS CX³ modules which need some: possible through the lateral DIP-switches of each EMS CX³ module or via the configuration software *(see § "Module configuration")*.

Addressing procedure:

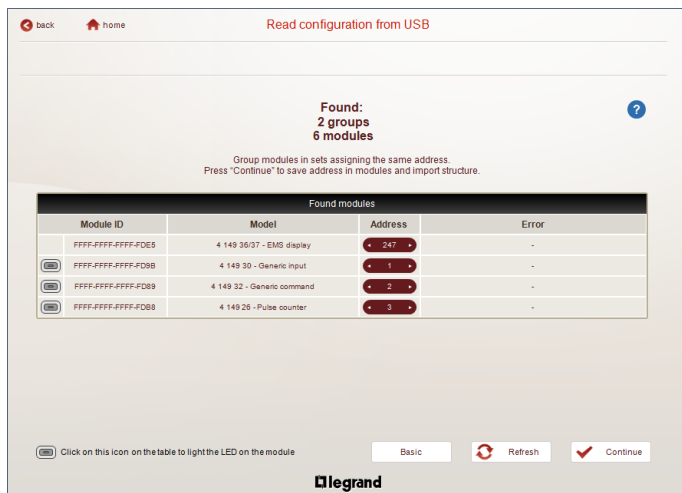
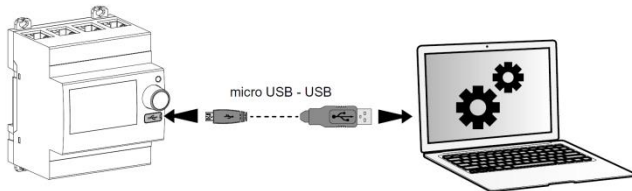


. It is not necessary to address the EMS CX³ modules. **The track wheel must be left in default position "0".**

. All the addressing/configuring procedure will be done with the Configuration Software (available online for free)

. With remote addressing, the software does the automatic detection of modules installed in the system, but the supervision is not possible until the user assigns the remote address and all the characteristics to each module.

Note: it is mandatory to connect the computer to the Mini configuration module with an USB-micro USB cable. *[For more details, refer to the technical data sheet of the Mini configuration module EMS CX³]*



Note for Measure Module "3x single phase":

This module is to be consider as 3 modules with 3 different Modbus Address. The module takes automatically the two addresses immediately following to the programmed one (e.g. Programmed address = 2, Addresses of the module 2, 3, 4)

6. SYSTEM ARCHITECTURES

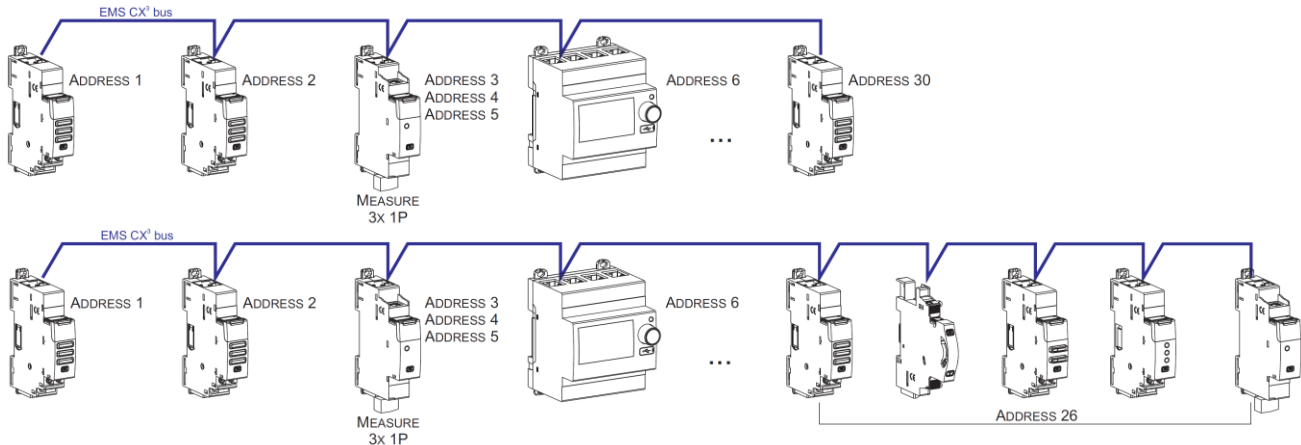
6.1 Stand-alone system (continued)

6.1.2 Stand-alone system with remote addressing (through a computer) (continued)

Consequences for the system architecture:

- for 1 mini configuration module (cat. no 4 149 36/37)
 - o up to **30 EMS CX³ modules** (e.g. 30 devices grouped per functions with addresses from 1 to 30)

It is possible to assign to several devices the same address with the purpose of grouping different functions, **because they are related to the same electrical circuit**. For example, it is possible to assign the same address to a signalling auxiliary module (cat. no 4 149 29), a universal control module (cat. no 4 149 32), a measuring module, and so on. In this way on the EMS CX³ display or in a supervision system the grouped function will be displayed as a unique “device” with all grouped functions. [Refer to the schemes here under]



Note for the mini configuration module (local display)

- . It is possible to assign it the same address as another EMS CX³
- . The mini configuration module can be placed everywhere in the EMS CX³ bus

6.2 Supervised system (Computer Supervisory System)

. **Supervised system** = System to be used through a Computer Supervisory System to remotely read data from the EMS CX³ devices and/or do operations on these devices (e.g. commands of a motor driven or contactor ...).

6.2.1 Supervised system-with local addressing (through the track wheel)

Local addressing advantages:

- No configuration software needed to set-up the installation
- Installation can be done without the intervention of a System Integrator

Programming procedure:

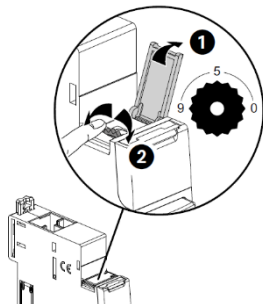
. For EMS CX³ modules which need some: mandatory through the lateral DIP-switches of each EMS CX³ module (see § "Module configuration")

Addressing procedure:

. For all EMS CX³ modules: mandatory through the track wheel located on the top upper face of each EMS CX³ modules

. Marked from 0 to 9 in order to locally define the Modbus address to EMS CX³ modules

In this system the Modbus address of an EMS CX³ module device or group of modules (several functions) is obtained considering the address of the interface Modbus/EMS CX³ Interface as tenth and the address of a device or group of function as unit (e.g. Interface address 1 = 10 → address of module n°5 = Modbus address 15)



Note for Measure Module “3x single phase”:

This module is to be consider as 3 modules with 3 different Modbus Address. The module takes automatically the two addresses immediately following to the programmed one (e.g. Programmed address = 12, Addresses of the module 12, 13, 14)

6. SYSTEM ARCHITECTURES *(continued)*

6.2 Supervised system (Computer Supervisory System) *(continued)*

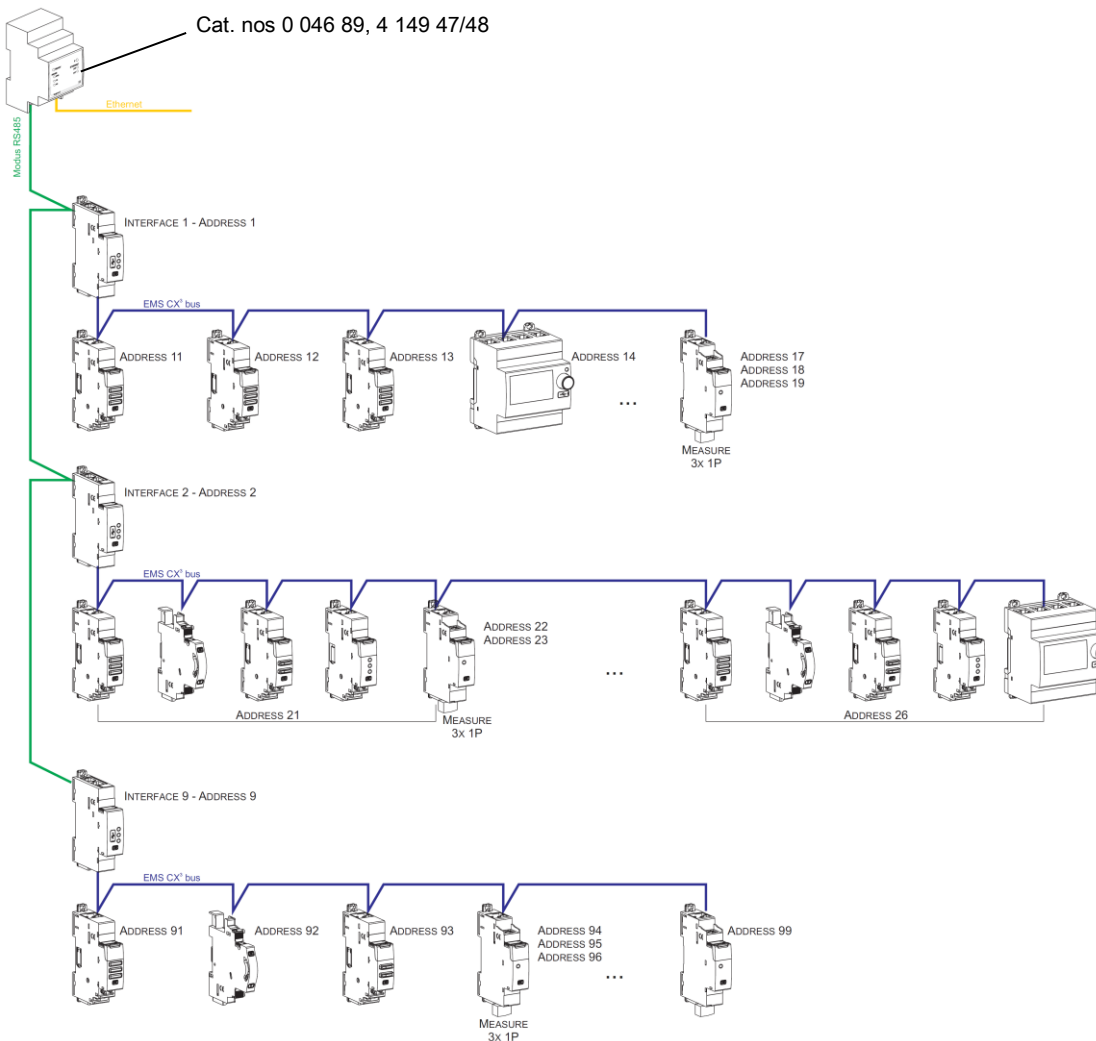
6.2.1 Supervised system-with local addressing (through the track wheel) *(continued)*

Consequences of the local addressing mode (through the track wheel):

- . Each device of the system must be addressed.
- . Addresses available: from 1 to 9
- . Address 0 not permitted

It is possible to assign to several devices the same address with the purpose of grouping different functions, **because they are related to the same electrical circuit**. For example, it is possible to assign the same address to a signalling auxiliary module (cat. no 4 149 29), a universal control module (cat. no 4 149 32), a measuring module, and so on. In this way on the EMS CX³ display or in a supervision system the grouped function will be displayed as a unique “device” with all grouped functions. *[Refer to the scheme hereunder]*

Note: In this configuration the Modbus address of an EMS CX³ module device or group of modules (several functions) is obtained considering the address of the interface Modbus/EMS CX³ Interface as tenth and the address of a device or group of function as unit (e.g. Interface address 1 = 10 and device address = 5 → Modbus address = 15)



Consequences for the system architecture:

- for 1 IP/Modbus gateway (cat. no 0 046 89):
 - o up to **81 Modbus address**
 - o mandatory limit of max. **9 Modbus/EMS CX³ interfaces** or max. **1000 m of Modbus cable** (cable Belden 9842, Belden 3106A or equivalent) or max. **50 m of Category 6 cable** (FTP or UTP).
- for 1 Modbus/EMS CX³ Interface (cat. no 4 149 40):
 - o up to **30 EMS CX³ modules** (ex. 30 devices grouped per functions with addresses from 1 to 9)

Note: with local addressing, the Modbus/EMS CX³ interface, does the automatic detection of modules (characteristics, functions, configuration...)

6. SYSTEM ARCHITECTURES *(continued)*

6.2 Supervised system (Computer Supervisory System) *(continued)*

6.2.2 Supervised system-with remote addressing (through a computer)

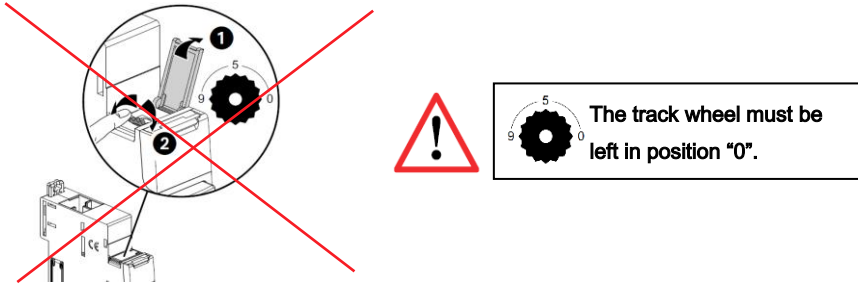
Remote addressing advantages:

- Whole of configuration (addresses and functions) can be done a remotely through the EMS Configuration software
- Configuration software available for free
- **Automatic detection of the EMS CX³ modules** installed in the system (characteristics, functions, configuration...)
- **Increased settings possibilities: load shedding function**
- Increased addressing: **up to 32 Modbus/EMS CX³ interfaces**
- Increased addressing: **up to 247 Modbus addresses in a system**

Programming procedure:

. For EMS CX³ modules which need some: possible through the lateral DIP-switches of each EMS CX³ module or via the configuration software *(see § "Module configuration")*.

Addressing procedure:

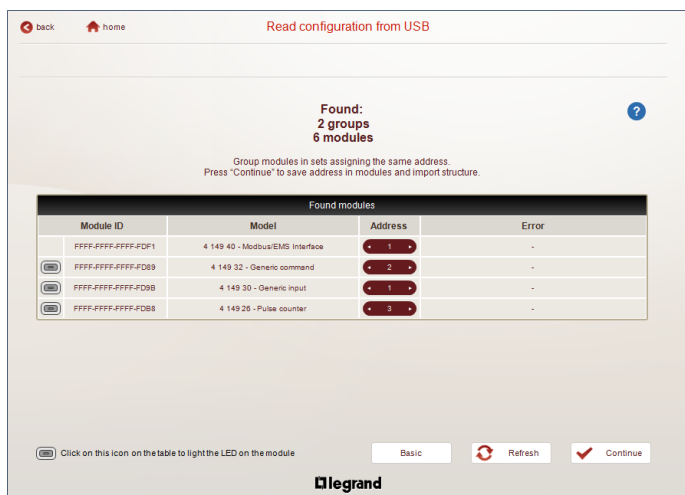
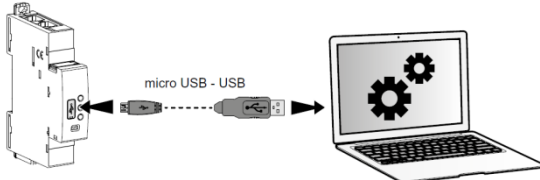


. It is not necessary to address the EMS CX³ modules. **The track wheel must be left in default position "0".**

. All the addressing/configuring procedure will be done with the Configuration Software (available online for free)

. With remote addressing, the software does the automatic detection of modules installed in the system, but the supervision is not possible until the user assigns the remote address and all the characteristics to each module.

Note: it is mandatory to connect the computer to the different Modbus/EMS CX³ interface with an USB-micro USB cable (one interface at a time). *[For more details, refer to the technical data sheet of the Modbus/EMS CX³ interface]*



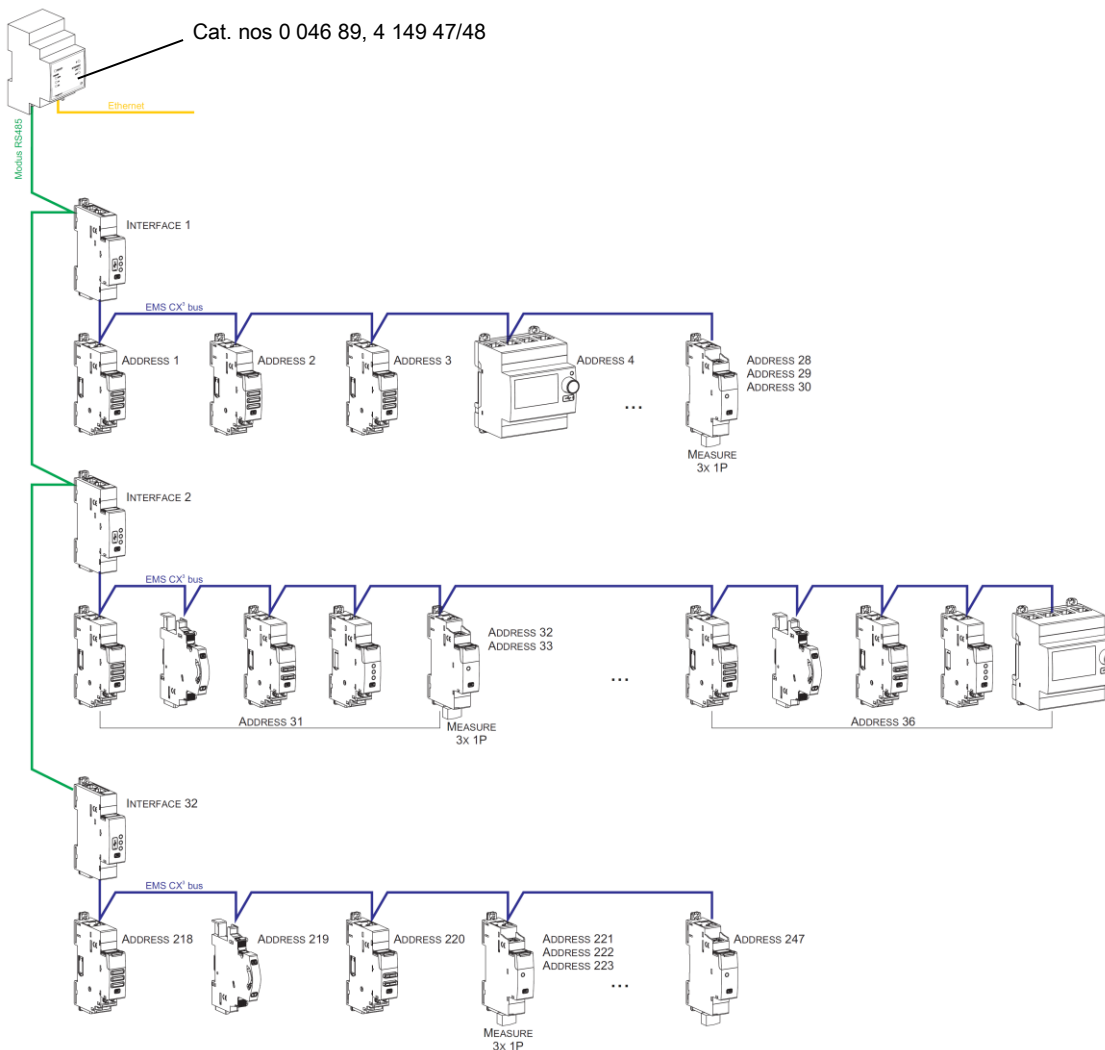
Note for Measure Module "3x single phase":

This module is to be consider as 3 modules with 3 different Modbus Address. The module takes automatically the two addresses immediately following to the programmed one (e.g. Programmed address = 2, Addresses of the module 2, 3, 4)

6. SYSTEM ARCHITECTURES *(continued)*

6.2 Supervised system (Computer Supervisory System) *(continued)*

6.2.2 Supervised system-with remote addressing (through a computer) *(continued)*



Consequences for the system architecture:

- for 1 IP/Modbus gateway (cat. no 0 046 89):
 - o up to **247 Modbus address**
 - o Because of Modbus: mandatory limit of max. **32 Modbus/EMS CX³ interfaces** or max. **1000 m of Modbus cable** (cable Belden 9842, Belden 3106A or equivalent) or max. **50 m of Category 6 cable** (FTP or UTP).
- for 1 Modbus/EMS CX³ Interface (cat. no 4 149 40):
 - o up to **30 EMS CX³ modules or grouped modules** (e.g. 30 devices grouped per functions with addresses from 1 to 30)

It is possible to assign to several devices the same address with the purpose of grouping different functions, **because they are related to the same electrical circuit**. For example, it is possible to assign the same address to a signalling auxiliary module (cat. no 4 149 29), a universal control module (cat. no 4 149 32), a measuring module, and so on. In this way on the EMS CX³ display or in a supervision system the grouped function will be displayed as a unique “device” with all grouped functions. *[Refer to the scheme up here]*

7. COMPLIANCE AND APPROVALS

Compliance to standards:

- . Compliance with Directive on electromagnetic compatibility (EMC) n° 2014/30/EU
- . Compliance with low voltage directive n° 2014/35/EU.
- . Electromagnetic Compatibility:
 - emission according IEC/EN 61326-1, class B
 - immunity according IEC/EN 61326-1.
- . Active energy accuracy class: 0,5 (E_a, IEC/EN 61557-12).
- . Reactive energy accuracy class: 1 (E_{rv}, IEC/EN 61557-12).

Conformity table to IEC 61557-12 Edition 1 (08/2007)

Performance measuring and monitoring devices (PMD) characteristics		
Type of characteristic	Specification values	Other complementary characteristics
Power quality assessment function	-	-
Classification of PMD	SD	-
Temperature	K55	-
Humidity + Altitude	Standard conditions	-
Active power and Active energy function performance class	0,5	-

EMS CX³ - Multifunction Measuring module for Current Transformers (CT)

Cat. N°: 4 149 23

7. COMPLIANCE AND APPROVALS *(continued)*

Conformity table to IEC 61557-12 Edition 1 (08/2007) *(continued)*

Function symbols	Function performance class according to IEC 61557-12	Measuring range	Other complementary characteristics
P	0,5	0,05 ÷ 6 A (x/5 A)	-
Q _A , Q _V	2	0,05 ÷ 6 A (x/5 A)	-
S _A , S _V	0,5	0,05 ÷ 6 A (x/5 A)	-
E _a	0,5	0,05 ÷ 6 A (x/5 A)	-
E _{rA} , E _{rV}	2	0,05 ÷ 6 A (x/5 A)	-
E _{apA} , E _{apV}	-	-	-
f	± 0,01 Hz	45 ÷ 65 Hz	-
I	0,5	0,05 ÷ 6 A (x/5 A)	-
I _N , I _{Nc}	2	0,05 ÷ 6 A (x/5 A)	-
U	0,5	0,05 ÷ 6 A (x/5 A)	-
P _{FA} , P _{FV}	1	0,5 ind ÷ 0,8 cap	-
P _{st} , P _{It}	-	-	-
U _{dip}	-	-	-
U _{swt}	-	-	-
U _{tr}	-	-	-
U _{int}	-	-	-
U _{nba}	0,5	-	-
U _{nb}	-	-	-
U _h	5	65 ÷ 290 V (Ph/N) 110 ÷ 500 V (Ph/Ph)	-
THD _u	5	65 ÷ 290 V (Ph/N) 110 ÷ 500 V (Ph/Ph)	-
THD-R _u	-	-	-
I _h	5	0,05 ÷ 6 A (x/5 A)	-
THD _i	5	0,05 ÷ 6 A (x/5 A)	-
THD-R _i	-	-	-
Msv	-	-	-

7. COMPLIANCE AND APPROVALS *(continued)*

Conformity table to IEC 61557-12 Edition 1 (08/2007) *(continued)*

Characteristics of "Power quality assessment functions"			
Function symbols	Function performance class according to IEC 61557-12	Measuring range	Other complementary characteristics
f	± 0,01 Hz	45 ÷ 65 Hz	-
I	0,5	0,05 ÷ 6 A (x/5 A)	-
I _N , I _{Nc}	0,5	0,05 ÷ 6 A (x/5 A)	-
U	0,5	65 ÷ 290 V (Ph/N) 110 ÷ 500 V (Ph/Ph)	-
U _{dip}	-	-	-
U _{swf}	-	-	-
U _{tr}	-	-	-
U _{int}	-	-	-
U _{nba}	0,5	-	-
U _{nb}	-	-	-
U _h	5	65 ÷ 290 V (Ph/N) 110 ÷ 500 V (Ph/Ph)	-
I _h	5	0,05 ÷ 6 A (x/5 A)	-
Msv	-	-	-

Environment respect - Compliance with EU directives:

- . Compliance with Directive 2011/65/EU as amended by Directive 2015/863 (RoHS 2) on the restriction of the use of certain hazardous substances in electrical and electronic equipment.
- . Compliance with REACH regulation (1907/2006): at the date of the publication of this document no element of the SVHC substance list (updated on 27/06/2018) is present in these products.
- . WEEE directive (2012/19/EU): the sale of this product is subject to a contribution to eco-organisations in each country responsible for managing end-of-life products in the field of application of the European Waste Electronic and Electrical Equipment Directive.

Plastic materials:

- . Halogens-free plastic materials.
- . Marking of parts according to ISO 11469 and ISO 1043.

Packaging:

- . Design and manufacture of packaging compliant to decree 98-638 of the 20/07/98 and also to directive 94/62/CE.

Environmental profile:

- . PEP document available

Installation software:

- . XL PRO³.