

BUS-SCS key card switches

0 675 65 H4649
5 727 35 LN4649
5 722 35

Description

Hotel room power supply key card switch. Thanks to the LED backlit slot, the device can be found in the dark. An automatic switch off delay can also be set.

It can be used with key cards with sizes between 45 mm and 54 mm (ISO).

The device can be configured in two different ways:

- **Physical configuration**, by inserting the configurators in the appropriate housings.
- **Configuration using the MyHOME_Suite software**, which can be downloaded from the website www.homesystems-legrandgroup.com; this last type of configuration has the advantage of offering many more options when compared with the physical configuration.

Technical data

Power supply from SCS BUS:	18-27 Vdc
Max. absorption:	6 mA
Stand-by absorption:	5 mA
Operating temperature:	(-10) – (+45) °C

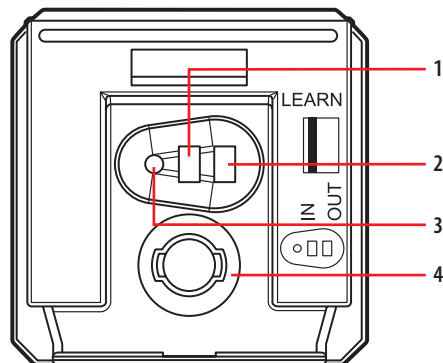
Standards, Certifications, Marks

EN 60669-2-1
EN 50491-5-1
EN 50428

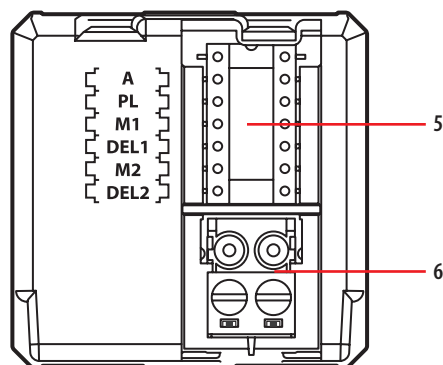
Dimensional data

Size: 2 flush mounted modules

Front view



Rear view



Legend

1. Programming key: Learn IN
2. Programming key: Learn OUT
3. LED
4. Key card detection microswitch
5. Configurator socket
6. SCS BUS connector

Wiring diagrams

Principle and configuration diagram for a hotel room

