

**Description**

Flush mounted control for installation inside the room, for the activation of the “Do Not Disturb” or “Make Up Room” notifications on the indicator outside the door.

The device can be configured in two different ways:

- **Physical configuration**, by inserting the configurators in the appropriate housings.
- **Configuration using the MyHOME\_Suite software**, which can be downloaded from the website [www.homesystems-legrandgroup.com](http://www.homesystems-legrandgroup.com); this last type of configuration has the advantage of offering many more options when compared with the physical configuration.

**Technical data**

Power supply from SCS BUS: 18 – 27 Vdc  
Absorption: max. 7.5 mA  
Operating temperature: 5 – 40 °C

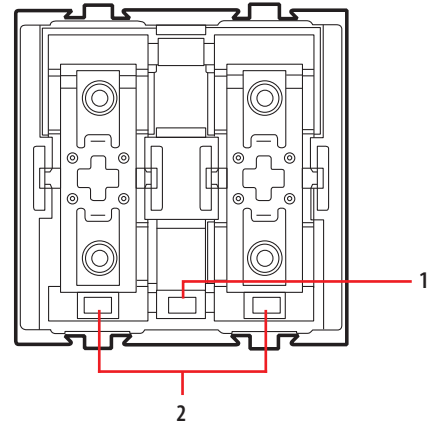
**Standards, Certifications, Marks**

EN 60669-2-1  
EN 50090-2-2  
EN 50090-2-3  
EN 50428

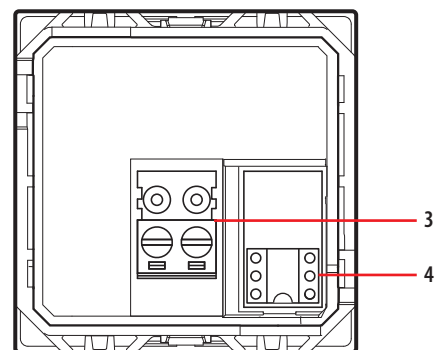
**Dimensional data**

Size: 2 flush mounted modules

Front view



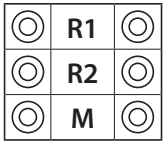
Rear view



**Legend**

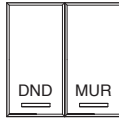
1. LED adjustment/disable pushbutton
2. LED:  
AXOLUTE/ARTEOR/CÉLIANE: BLUE: message not active  
PURPLE: message active  
LIVINGLIGHT: GREEN: message not active  
ORANGE: message active
3. Clamps for connection to the SCS BUS
4. Configurator socket

**Physical configuration**

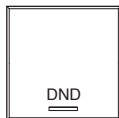


R1, R2 = Room address (R1 identifies the tenths; R2 identifies the units)

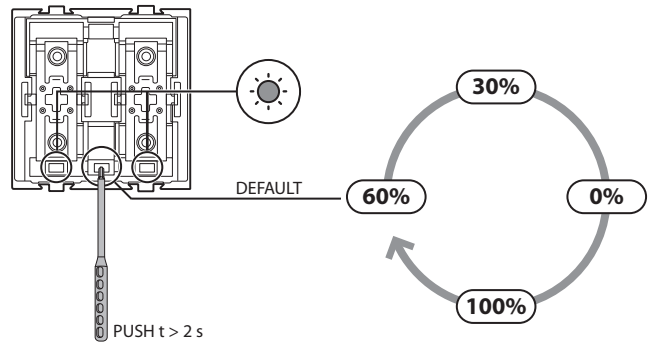
M = 0 DND and MUR active - 2 x 1 module key covers



M = 1 DND control only - 1 double key cover



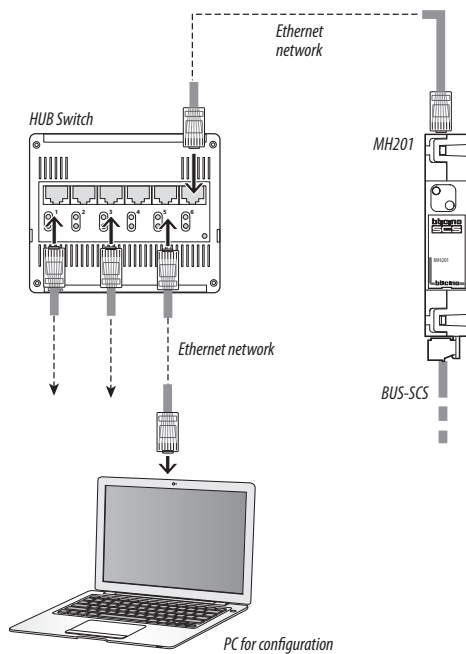
**LED brightness adjustment**



**Configuration using the MyHOME\_Suite software**

This is performed using the appropriate MyHOME\_Suite application. This mode has the advantage of offering many more options when compared with the physical configuration. The software configuration requires Ethernet connection between the system and the PC, through the IP MH201 scenario module.

**Ethernet connection to the system**



Wiring diagrams

Principle and configuration diagram for a hotel room

