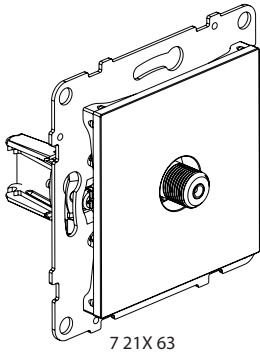
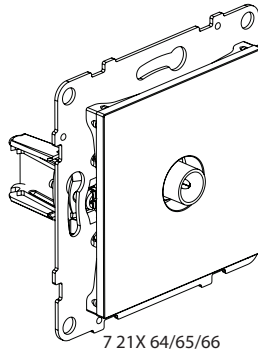


**Suno™
 TV Star sockets**

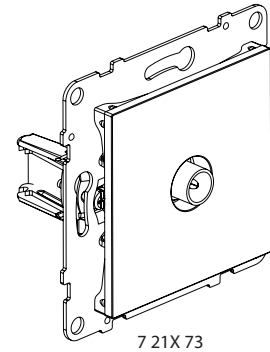
**Cat. No(s): 7 21X 63, 7 21X 64
 7 21X 65, 7 21X 66, 7 21X 73**



7 21X 63



7 21X 64/65/66



7 21X 73

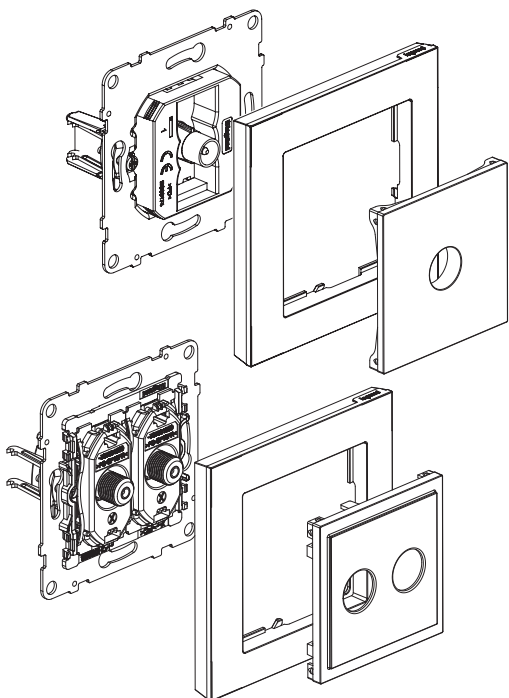
1. USE

Male TV socket Ø 9,52 mm
 UHD (ultra high definition) compatible
 Class A shielding - Star wiring
 Recommended cable 17/19 VATC.
 Fixing with screw and/or claw.

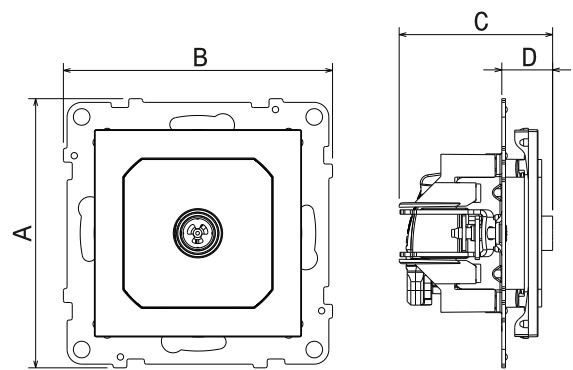
2. RANGE

Description	White	Ivory	Aluminum	Black
TV F-TYPE STAR	7 211 63	7 212 63	7 213 63	7 214 63
TV MALE STAR	7 211 64	7 212 64	7 213 64	7 213 64
TV MALE PASSTHROUGH 14 db	7 211 65	7 212 65	7 213 65	7 214 65
TV MALE TERMINAL 10dB	7 211 66	7 212 66	7 213 66	7 214 66
SAT DOUBLE F-TYPE STAR	7 211 73	-	7 213 73	7 214 73

3. DISMANTLING

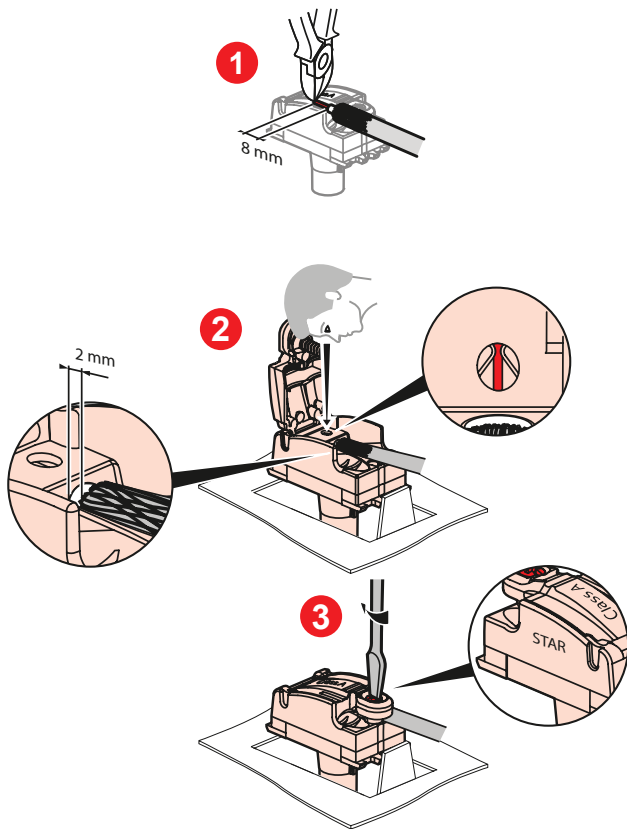


4. DIMENSIONS (mm)

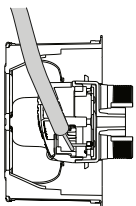
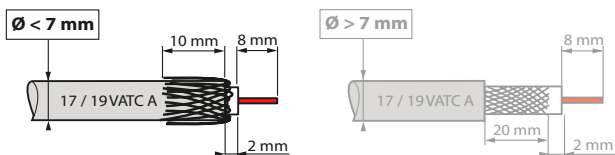


References	A	B	C	D
7 21X 63	72,9	72,9	44,1	16,3
7 21X 64/65/66	72,9	72,9	42,6	12,8
7 21X 73	72,9	72,9	41,7	14,6

5. CONNECTION



6. WIRING PRECAUTIONS



By restricting deformation of the coaxial cable, the rear connection avoids impedance discontinuity, thereby sustaining performance

7. TECHNICAL CHARACTERISTICS

■ 7.1 Mechanical characteristics

Protection against solid bodies and liquids: IP20

Protection against impact: IK04

Cable resistance: 120 N

■ 7.2 Material characteristics

Polygloss appearance

Colour molded:

- White RAL 9003
- Ivory RAL 1013

Matt colour painted:

- Aluminum RAL 9023
- Black RAL 9017

Material: - Cover: ABS
- Base: Polycarbonate
- Halogen-free
- UV-resistant

Motor: - Casing: zamac
- Cover: zamac
- Pin: bronze
1- screw: galvanized steel

Self-extinguishing:

850°C/30 s for insulating components holding live parts in place

650°C/30 s for other insulating components

■ 7.3 Electrical characteristics

- Impedance : 75 ohm
- Male connector \varnothing 9.52 mm
- Class A shielding efficiency (class A shielding is necessary to prevent interference caused by using 3 and 4 G phone signals, as these unwanted signals can result in pixellation on screen or adversely affect the sound track).
- Frequency bands: TV: 5-68/120-862 MHz
- Low attenuation: < 1 dB maximum
- Compatible with remote power supply

■ 7.4 Climate characteristics

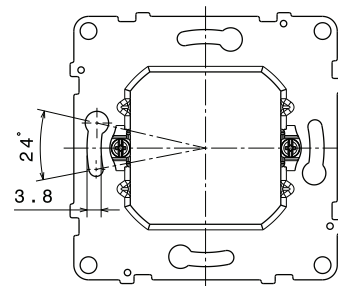
Usage temperature: - 5°C to + 35°C

Storage temperature: - 10°C to + 70°C

■ 7.5 Support

Material of support: -Metal

Angular adjusting:



8. MAINTENANCE

Surface cleaning with a cloth.

Do not use: acetone, tar remover, trichloroethylene.

Maintenance with the following products: Hexane (EN 60669-1), Methylated spirit, Soapy water, Diluted ammonia, Bleach diluted to 10%, Window-cleaning products.

Caution: Always test before using other special cleaning products.

9. STANDARDS AND APPROVALS

Compliant with installation and manufacturing standards.

Refer to e-catalogue.

10. STANDARDS AND APPROVALS

Single male TV socket

