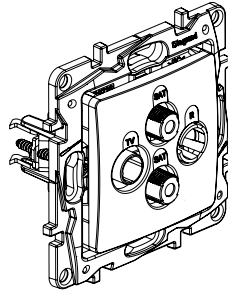


**Niloe™**  
**TV/R/SAT/SAT sockets**

**Cat. No : 7 645 66 - 7 646 66 - 7 647 66**



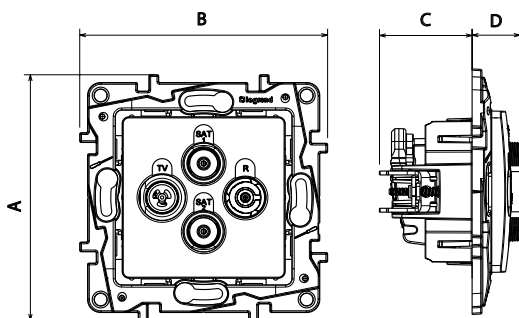
**1. USE**

TV/R/SAT/SAT: For receiving TV, radio and satellite (SAT1/SAT2) signals  
 UHD (ultra high definition) compatible  
 Class A shielding - Star wiring  
 Recommended cable 17/19 VATC on both inputs

**2. RANGE**

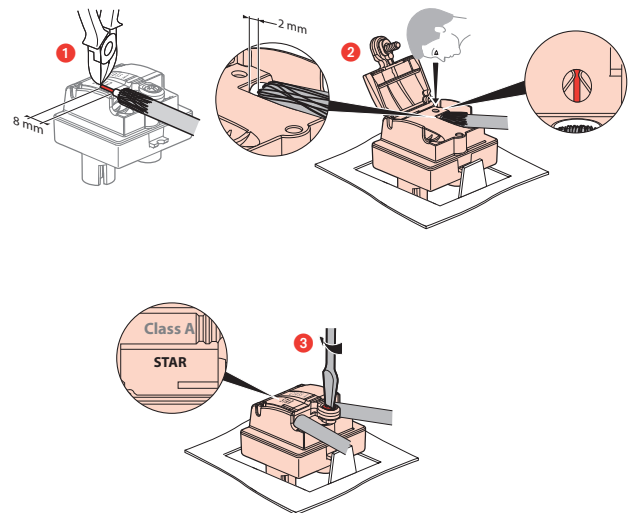
Cat. No.	Item	No. of modules
7 645 66	TV/R/SAT/SAT socket white	2
7 646 66	TV/R/SAT/SAT socket ivory	2
7 647 66	TV/R/SAT/SAT socket brown	2

**3. DIMENSIONS (mm)**

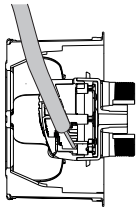
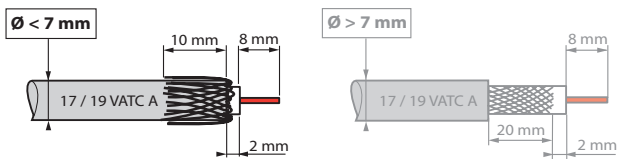


Cat. No.	A	B	C	D
7 645 66 - 7 646 66 - 7 647 66	75,8	75,8	28,3	14,7

**4. CONNECTION**



### 5. WIRING PRECAUTIONS



Connection from the rear of the socket reduces deformation of the coaxial cable, thus avoiding the risk of impedance loss and impaired performance.

### 6. TECHNICAL CHARACTERISTICS

#### ■ 6.1 Mechanical characteristics

Protection against solid bodies and liquids: IP 21  
Protection against impact: IK 04  
Cable strength 120 N: IEC 61169-24

#### ■ 6.2 Material characteristics

**Material:** - Cover plate: ABS  
- Zero halogen  
- UV resistant

**Motor:** - Casing: Zamac  
- Cover: Zamac  
- Pin: Bronze  
- Screws: Zinc-plated steel

#### ■ 6.3 Electrical characteristics

- Male connector  $\varnothing$  9.52 mm (TV)  
- Female connector (radio)  
- Female F screw-type connector (SAT)  
- Characteristic impedance: 75 ohm

Class A shielding efficiency (class A shielding is necessary to prevent interference from 3G and 4G phone signals, as these undesirable signals can cause pixellation of on-screen images or distort soundtracks)

- Frequency bands: TV: 5-68/120-862 MHz  
R: 87.5-108 MHz  
SAT1: 950-2400 MHz  
SAT2: 5-2400 MHz

- Insulation resistance: IEC 61169-24

#### ■ 6.4 Climate characteristics

Storage and operating temperature: -5 °C to +35 °C

### 7. CLEANING

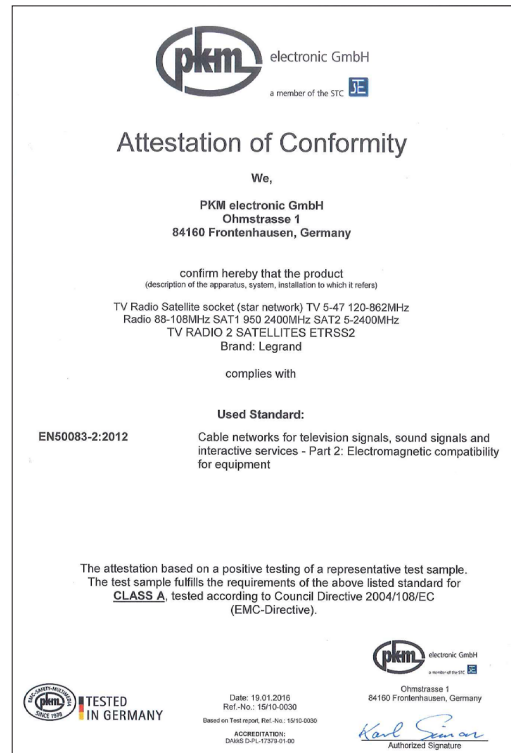
Clean the surface with a cloth.  
Do not use acetone, tar-removing cleaning agents or trichloroethylene.

Resistant to the following products: hexane (EN 60669-1), methylated spirit, soapy water, diluted ammonia, bleach diluted to 10%, window-cleaning products, pre-impregnated wipes.

**Caution:** Always test before using special cleaning products.

### 8. STANDARDS AND APPROVALS

- EN 50083-2
- Class A certificate



**9. PERFORMANCE**

