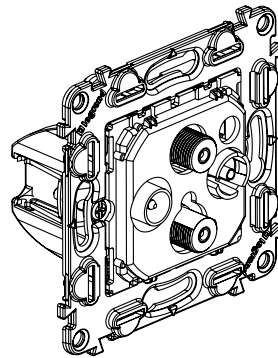


**Valena Life™ - Valena™ INMATIC**  
**TV/R/SAT/SAT sockets**

Cat. Nos: 7 530 56 - 7 548 10/11/12



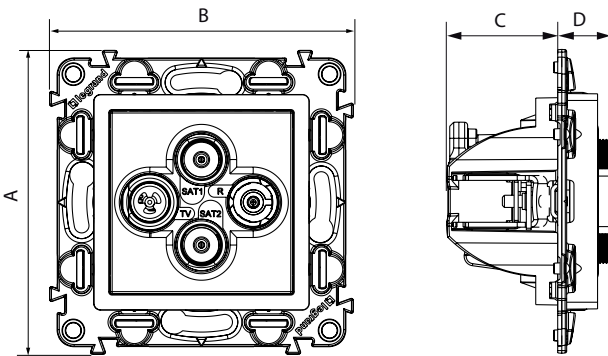
**1. USE**

TV/R/SAT/SAT sockets: for terrestrial and satellite installation with individual demodulator; they can be used to receive digital programmes (satellite channels, etc.).

**2. RANGE**

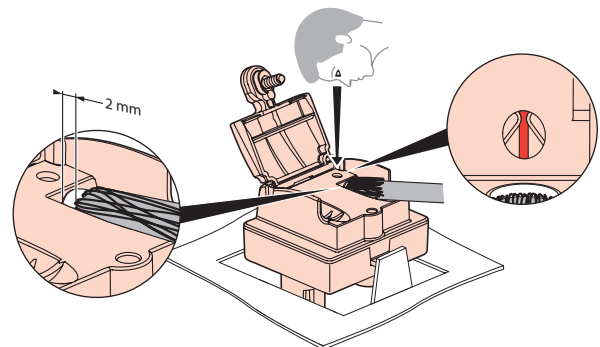
Description	Mechanism only	Cover plate only		
		White	Ivory	Aluminium
TV/R/SAT/SAT socket	7 530 56	7 548 10	7 548 11	7 548 12

**3. DIMENSIONS (mm)**

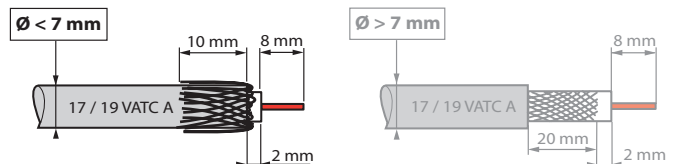


Cat. Nos.	A	B	C	D
7 530 56	74.7	74.7	27.6	9.8

**4. CONNECTION**



**5. WIRING PRECAUTIONS**



To prevent loss of impedance and a subsequent deterioration in performance caused by deformation of the coaxial cable, use the largest possible bending radius.

A signal booster must be used with connecting and terminal sockets to compensate for the losses generated by this technique.

## 6. TECHNICAL CHARACTERISTICS

### ■ 6.1 Mechanical characteristics

Protection against solid bodies and liquids: IP 21

Protection against impacts: IK 04

### ■ 6.2 Material characteristics

**Casing:** Poly gloss appearance

**Colour:** - White RAL 903

- Ivory RAL 113

- Aluminium

**Material:** - Plate: ABS/PC

- Cover plate: ABS

- Printed circuit: FR4

- Zero halogen

- UV resistant

**Motor:** Zamac cover/Zamac steel box/steel plugs and screws

### ■ 6.3 Electrical characteristics

- Male TV connector Ø 9.52 mm

- Female "F" screw-type connector Ø 9.4 mm

- Female "R" connector Ø 9.52 mm

- Frequency bands: TV: 5 - 68/120 - 862 MHz

R: 87.5 - 108 MHz

SAT1: 950 - 2400 MHz

SAT2: 950 - 2400 MHz

- Characteristic impedance: 75 Ohm

### ■ 6.4 Climate characteristics

Storage and operating temperature: -5°C to +35°C

## 7. PERFORMANCE

Testing in progress.

## 8. CARE

Clean the surface with a cloth.

Do not use acetone, tar-removing cleaning agents or trichloroethylene.

Resistant to the following products: Hexane (EN 60669-1), methylated spirit, soapy water, diluted ammonia, bleach diluted to 10%, window-cleaning products, pre-impregnated wipes.

**Caution:** Always test before using special cleaning products.

## 9. STANDARDS AND APPROVALS

- EN 50083-2

- EN 50083-4